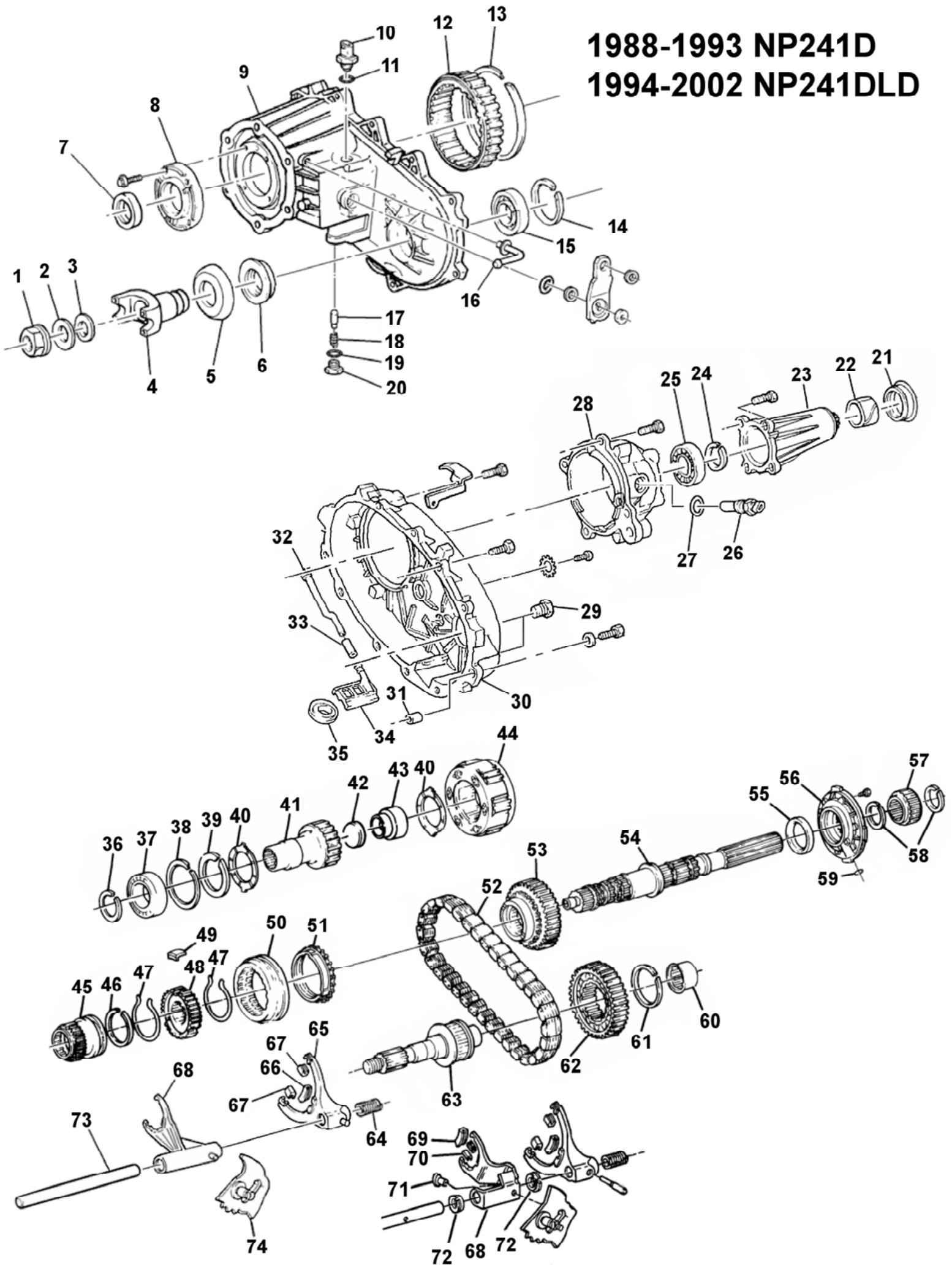


**1988-1993 NP241D**  
**1994-2002 NP241DLD**



## 1988-93 Dodge 241D/1994-2002 Dodge 241DLD

| Item # | Description                      | Application        | Notes   | Dodge Part#         | GM Part# | ZBAG Part#   |
|--------|----------------------------------|--------------------|---|---------------------|----------|--------------|
| 1.     | Front output yoke nut            |                    |   |                     |          | Call         |
| 2.     | Front output yoke washer         |                    |   |                     |          | Call         |
| 3.     | Front output yoke rubber washer  |                    |   |                     |          | Call         |
| 4.     | Front output yoke                |                    |   |                     |          | Call         |
| 5.     | Front output yoke dust shield    |                    |   |                     |          | Call         |
| 6.     | Front output seal                | 1988-96            | 2.754" x 1.875" x .5"   |                     |          | CR18771      |
|        |                                  | 1997-2002          | 2.755" x 1.875" x .677"   |                     |          | CR19060      |
| 7.     | Input seal                       |                    | 2.69" x 1.938" x .5"  |                     | 12547466 | CR4435       |
| 8.     | Input seal retainer              |                    |   |                     | 15547399 | Call         |
| 9.     | Front case half                  | 1988-93 241D       | Passenger side front output shaft<br>Cast# 16124, 17024             | 4338964<br>53008219 |          | NP4338964    |
|        |                                  | 1994-2002 241DLD   | 26614   | 4897961AA           |          | 26614        |
|        |                                  | 1994-2002 241DLD   | 17934, 21289, 32173, cast# 17240                                    | 5015449AA           |          | NP5015449AA  |
| 10.    | Shift indicator switch           |                    |   |                     |          | Call         |
| 11.    | Shift indicator switch gasket    |                    |   |                     |          | Call         |
| 12.    | Annulus gear                     |                    |   |                     |          | Call         |
| 13.    | Annulus gear snap ring           |                    |   |                     |          | Call         |
| 14.    | Front output bearing snap ring   |                    |   |                     |          | Call         |
| 15.    | Front output front bearing       | 1988-93 241D       |   |                     |          | 6307N        |
|        |                                  | 1994-2002 241DLD   |   |                     |          | 6207N        |
| 16.    | Vent tube                        |                    |   |                     | 89059625 | 17988        |
| 17.    | Detent plunger                   | 1988-93 241D       | Small   |                     | 15547383 | GM15547383   |
|        |                                  | 1994-2002 241DLD   | Large   | 53008217            | 15633556 | NP53008217   |
| 18.    | Detent spring                    | 1988-93 241D       | Small   |                     | 15547384 | GM15580210   |
|        |                                  | 1994-2002 241DLD   | Large   | 53008218            | 15636639 | NP53008218   |
| 19.    | Detent plug gasket/O-ring        | 1988-93 241D       | Small   |                     | 15547385 | Call         |
|        |                                  | 1994-2002 241DLD   | Large   |                     | 14071849 | Call         |
| 20.    | Detent plug                      | 1988-93 241D       | Small   |                     | 3975717  | GM15580211   |
|        |                                  | 1994-2002 241DLD   | Large   | 4886473AA           | 12547642 | NP4886473AA  |
| 21.    | Rear output seal                 |                    | 2.7" x 1.886" x .55"  |                     |          | CR18992      |
| 22.    | Tail bushing                     |                    | 17475   |                     | 15665313 | WT297-62     |
| 23.    | Tail housing                     |                    |   |                     |          | 17462        |
| 24.    | Rear mainshaft snap ring         |                    |   |                     |          | 1300-139-027 |
| 25.    | Rear mainshaft bearing           |                    |   |                     |          | 6207N        |
| 26.    | Speed sensor                     |                    |   |                     |          | Call         |
| 27.    | Speed sensor O-ring              |                    |   |                     |          | Call         |
| 28.    | Rear bearing retainer            | 1988-93 241D       | Passenger side front output shaft                                   |                     |          | Call         |
|        |                                  | 1994-2002 241DLD   | Drivers side front output shaft<br>w/speedo, cast# 21655, 17537     | 4797551             |          | 21654        |
| 29.    | Drain/fill plug                  |                    |   |                     |          | Call         |
| 30.    | Rear case half                   | 1988-93 241D       | Passenger side front output shaft                                   |                     | 15546616 | NP4338998    |
|        |                                  | 1994-2002 241DLD   | Driver side front output shaft<br>Cast# 16119, use 21653            | 4797550             | 15547435 | 21653        |
| 31.    | Dowel pin                        |                    |   |                     |          | Call         |
| 32.    | Oil pump tube                    | 1988-93 241D       | Passenger side front output shaft                                   |                     | 15546611 | Call         |
|        |                                  | 1994-2002 241DLD   | Drivers side front output shaft                                     | 83503523            | 15547429 | NP83503523   |
| 33.    | Oil tube connector               |                    |   |                     |          | NP4338944    |
| 34.    | Oil filter                       | 1988-93 241D       | Passenger side front output shaft                                   |                     |          | NP4338995    |
|        |                                  | 1994-2002 241DLD   | Drivers side front output shaft                                     |                     |          | 16217        |
| 35.    | Magnet                           |                    |   |                     |          | Call         |
| 36.    | Input bearing to shaft snap ring |                    |   |                     | 6259193  | GM6259193    |
| 37.    | Input bearing                    | 1988-94            | 0.94" (24mm) wide   |                     |          | BD50-8       |
|        |                                  | 1995-2002          | 0.63" (16mm) wide   |                     | 89059659 | 6010N        |
| 38.    | Planetary snap ring              |                    | 16243   | 83503527            | 15547397 | NP83503527   |
| 39.    | Planetary lock plate             |                    |   |                     | 15664905 | GM15664905   |
| 40.    | Planetary thrust washer          |                    |   | 5012367AA           | 12470959 | NP5012367AA  |
| 41.    | Input shaft                      | 1988-93            | 23 spline, 5" long, wide bearing,<br>early tooth planetary          | 53006085            |          | NP4761192    |
|        |                                  | 1994               | 29 spline 5" long, wide bearing,<br>works w/early or late planetary | 4797029             |          | 17954        |
|        |                                  | 1995-2002          | 23 spline, 4.2" long, narrow<br>bearing, late tooth planetary       | 4798183             |          | NP4897963AA  |
|        |                                  | 1995-2002          | 29 spline 5" long, narrow bearing                                   | 4856629             |          | 22409        |
| 42.    | Input pocket bearing plug        |                    | Use NP83503507 bearing  |                     |          |              |
| 43.    | Input pocket bearing             |                    | Closed end style 1.5" x 1.125"                                      | 83503507            | 12350040 | NP83503507   |
| 44.    | Planetary gear assembly          | 1988-94 3 pinion   | 16174   | 4338901             |          | NP4338901    |
|        |                                  | 1988-94 6 pinion   | 16550, 16273  |                     |          | NP4338971    |
|        |                                  | 1995-2002 3 pinion | 17868   | 4796903             | 12384949 | NP4796903    |
|        |                                  | 1995-2002 4 pinion | 19017, 37424  |                     | 88984435 | 19017        |
|        |                                  | 1995-2002 6 pinion | 17869, 37425  | 4797030             | 88958816 | NP4797030    |

## 1988-93 Dodge 241D/1994-2002 Dodge 241DLD

| Item #         | Description                   | Application         | Notes   | Dodge Part# | GM Part# | ZBAG Part# |
|----------------|-------------------------------|---------------------|---|-------------|----------|------------|
| 45.            | Range hub                     |                     |   |             |          | 19114      |
| 46.            | Mode hub snap ring            |                     |   |             |          | NP4338933  |
| 47.            | Mode spring                   | 1988-93 241D        | 4" blocker  | 4329524     |          | NP4329524  |
|                |                               | 1994-2002 241DLD    | 5" blocker  |             |          | 17778      |
| 48.            | Mode hub                      | 1988-93 241D        | 4" blocker  |             | 12472965 | 24271      |
|                |                               | 1994-2002 241DLD    | 5" blocker  |             |          | 17772      |
| 49.            | Mode key                      |                     |   | 4746137     | 14037972 | GM14037972 |
| 50.            | Mode sleeve                   | 1988-93 241D        | 4" blocker  |             |          | 17823      |
|                |                               | 1994-2002 241DLD    | 5" blocker  |             |          | 17773      |
| 51.            | Mode synchronizer ring        | 1988-93 241D        | 4" blocker, 15547   | 4329526     | 14071703 | NP4329526  |
|                |                               | 1994-2002 241DLD    | 5" blocker  | 4746139     |          | NP4746139  |
| 52.            | Drive chain                   |                     | 1.25" wide, 36 links  |             |          | HV025      |
| 53.            | Drive sprocket                | 1988-93 241D        | Uses needle bearing under sprocket, 4" blocker              | 4338987     | 15547414 | NP4338987  |
|                |                               | 1994-2002 241DLD    | No needle bearing under sprocket 5" blocker                 | 4746256     |          | NP4746256  |
| 54.            | Mainshaft                     | 1988-93 241D        | Uses needle bearing under the drive sprocket, 1.125" pilot  | 4338985     |          | Call       |
|                |                               | 1994-2002 241DLD    | No needle bearing under drive sprocket, 1.125" pilot        | 4778949     | 12547999 | GM12547999 |
| 55.            | Oil pump seal                 |                     | 2.62" x 2.25" x .18"  |             |          | CR22306    |
| 56.            | Oil pump                      |                     |   |             |          | 16209      |
| 57.            | Speedometer tone wheel/gear   |                     |   |             |          | Call       |
| 58.            | Speedometer gear snap ring    |                     |   | 4338997     | 15547434 | Call       |
| 59.            | Oil tube O-ring               |                     |   |             |          | NP4338942  |
| 60.            | Front output rear bearing     |                     |   |             |          | SCE2416    |
| 61.            | Driven sprocket snap ring     |                     |   |             |          | Call       |
| 62.            | Driven sprocket               |                     |   | 4746259     | 14037980 | NP4746259  |
| 63.            | Front output shaft            |                     |   |             |          |            |
| 64.            | Mode fork return spring       |                     |   |             |          | Call       |
| 65.            | Mode fork                     | 1988-93 241D        | Passenger side front output shaft Cast# 16342               | 4778690     | 15546600 | NP4778690  |
|                |                               | 1994-2002 241DLD    | Driver side front output shaft 5-1/2" spread                | 4746136     |          | 17790      |
| 66.            | Mode fork center pad          |                     |   |             |          | NP4219073  |
| 67.            | Mode fork side pad            |                     |   |             |          | NP4167969  |
| 68.            | Range fork                    | 1988-93 241D        | Passenger side front output shaft Stamped steel             | 4338974     |          | NP4338974  |
|                |                               | 1994-97 241DLD      | Driver side front output shaft Cast iron                    | 4746134     |          | 17543      |
|                |                               | 1998-2002 241DLD    | Driver side front output shaft Cast aluminum                | 4798136     |          | 17833R     |
| 69.            | Range fork center pad         | 1988-97 241D/241DLD | Used w/stamped steel and cast iron range fork               | 4338376     |          | NP4338376  |
| 70.            | Range fork side pad           | 1988-97 241D/241DLD | Used w/stamped steel and cast iron range fork               | 4167969     |          | NP4167969  |
| 71.            | Range fork pin                | 1988-93 241D        |   |             |          | Call       |
| 72.            | Range fork bushing            | 1988-93 241D        | Used w/stamped steel fork                                   | 4338919     | 15547404 | GM15547404 |
| 73.            | Shift shaft                   | 1988-93 241D        |   |             |          | Call       |
| 74.            | Shift cam                     | 1988-93 241D        | Passenger side front output shaft                           |             | 15547380 | Call       |
|                |                               | 1994-97 241DLD      | Driver side front output shaft Pattern from dash 2H-4H-N-4L |             | 12540002 | Call       |
|                |                               | 1998-2002 241DLD    | Driver side front output shaft Pattern from dash 4L-N-2H-4H |             |          | Call       |
| Not Shown      | Bearing kit                   | 1988-93 241D        | 0.94" wide input bearing Passenger side front output shaft  |             |          | BK241D     |
|                |                               | 1994 241DLD         | 0.94" wide input bearing Driver side front output shaft     |             |          | BK241      |
|                |                               | 1995-2002 241DLD    | 0.63" wide input bearing Driver side front output shaft     |             |          | BK241A     |
|                | Drive sprocket needle bearing |                     |   |             |          | HK5020     |
|                | Gasket and seal kit           |                     |   |             |          | TSK241     |
| Adapter gasket |                               |                     |   |             |          | GS100127   |

When it comes to quality performance driveline and axles, Zumbrota Drivetrain is the brand you can depend on.