



INSTALLATION INSTRUCTIONS
2015-2020 TOYOTA TACOMA

PART NUMBER
Z839101

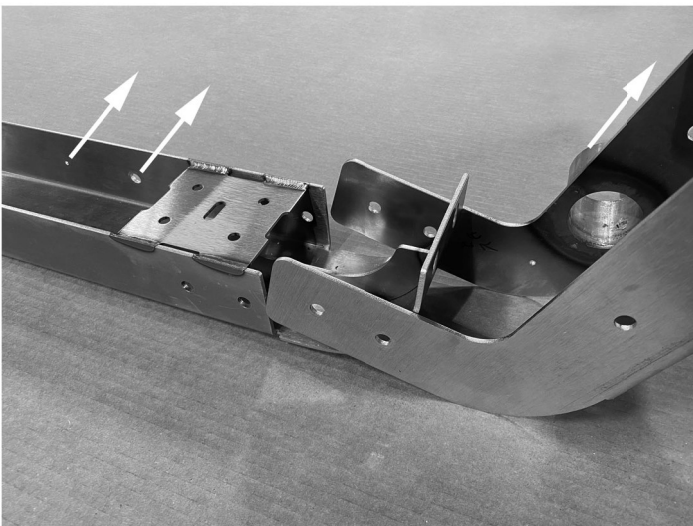
TOOLS REQUIRED

- >15mm wrench
- >13mm wrench
- >10mm wrench
- >3/8" drive ratchet
- >Torque wrench
- >Wire cutters

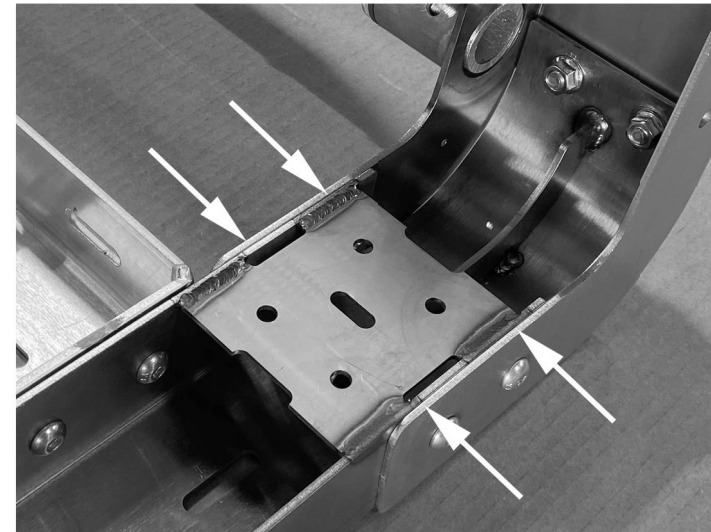
INCLUDED

- >7/16" HEX KEY
- >PUSH RIVETS
- >WIRE CLAMPS
- >WIRE HARNESS
- >ZIP TIES

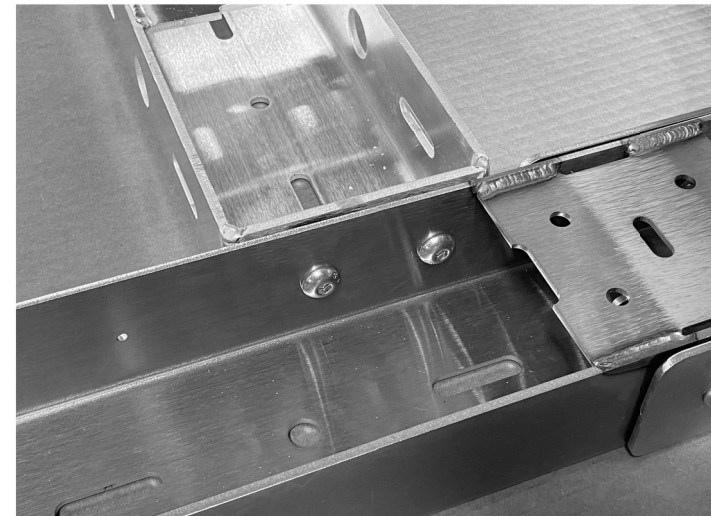
Before you begin, run the wire harness from the battery to the rear of the truck bed.



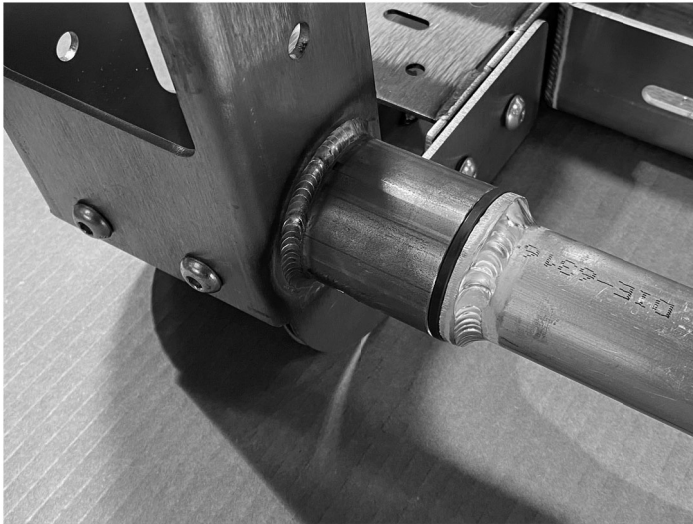
1. Install each leg to the transverse cross member. Use (6) 3/8"x1.00" button head bolts and flange lock nuts for each corner. Do not tighten securely. Make sure holes on the transverse cross member and gate pivot tube are facing the same direction.



2. Align the leg with the transverse cross bar and tighten all fasteners. Torque to 30 ft/lb. Confirm leg flanges are parallel with cross bar as shown.



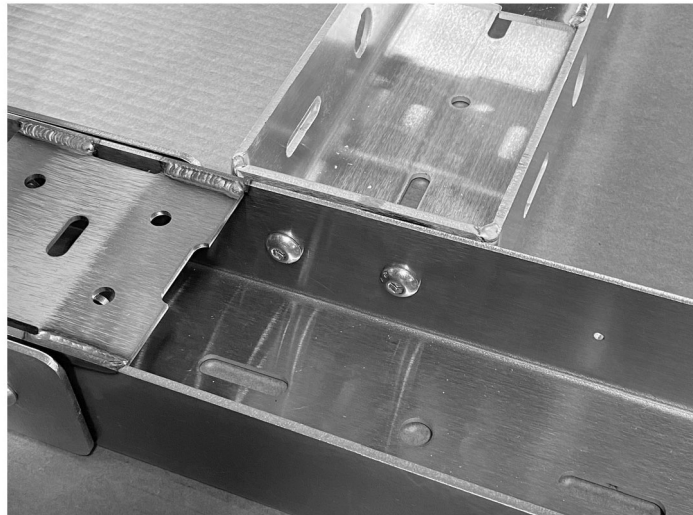
3. Connect one side of both of the longitudinal cross bar as shown. Use (2) 3/8"x1.00" button head bolts and flange lock nuts. Torque to 30 ft/lb.



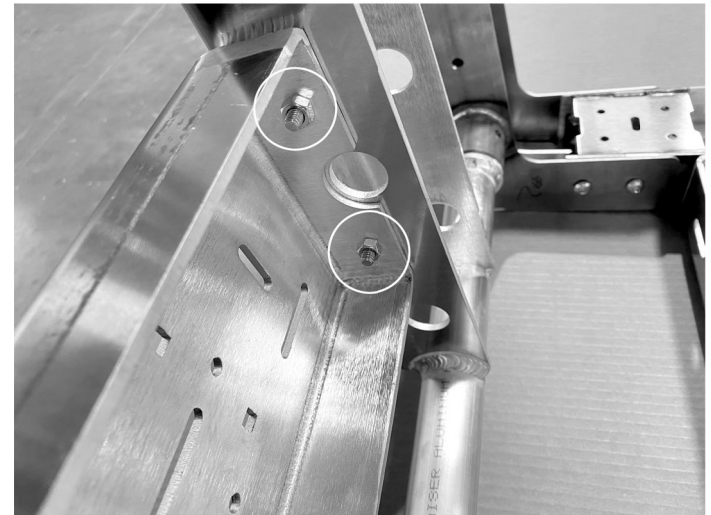
4. Install the gate shaft bushing into the leg housing as shown for both sides of the rack. Install the gate shaft into the bushing. Repeat for opposite side.



6. Install the rubber stop to each of the (4) legs. Use (1) 6-32 x 3/4" machine screw and (1) 6-32 nylon lock nut for each stop.



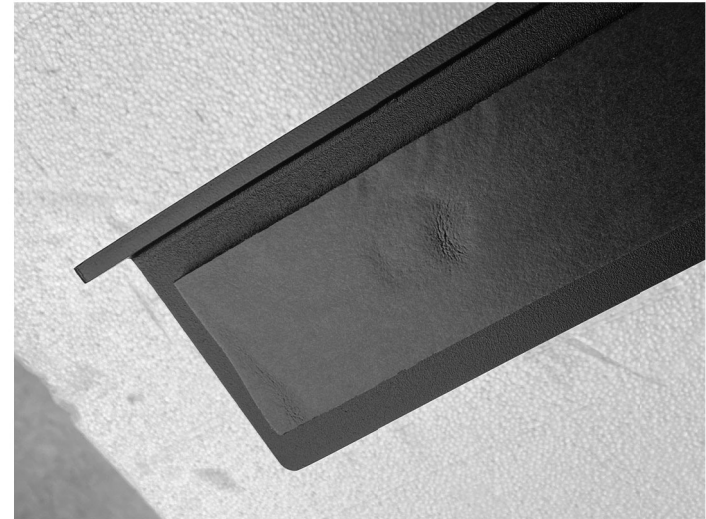
5. Connect the opposite side longitudinal cross bars as shown. Use (2) 3/8"x1.00" button head bolts and flange lock nuts. Torque to 30 ft/lb.



7. Close the gate door and lock into legs using (4) supplied pins. Install the accessory mount panel as shown using (4) 1/4" x 3/4" hex bolts, washer and nuts.



8. install (4) 2" LED lights into legs as shown using 8mm x 25mm hex bolt, flat washer and lock washer.



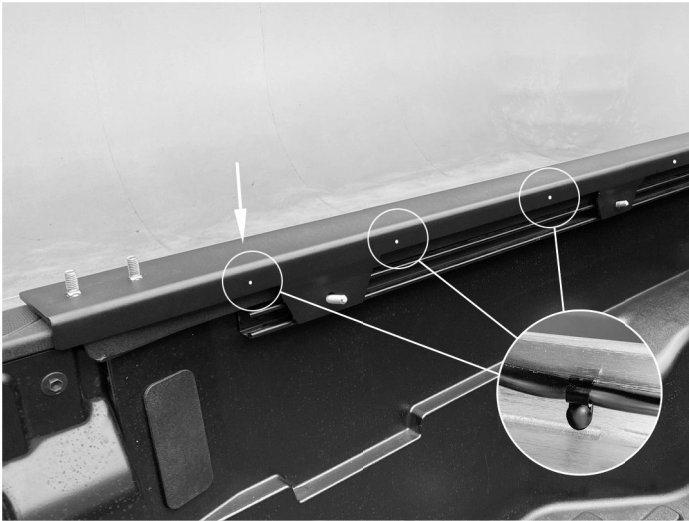
10. Cut the supplied pieces of foam and attach adhesive side towards the rail to retain the bolts.



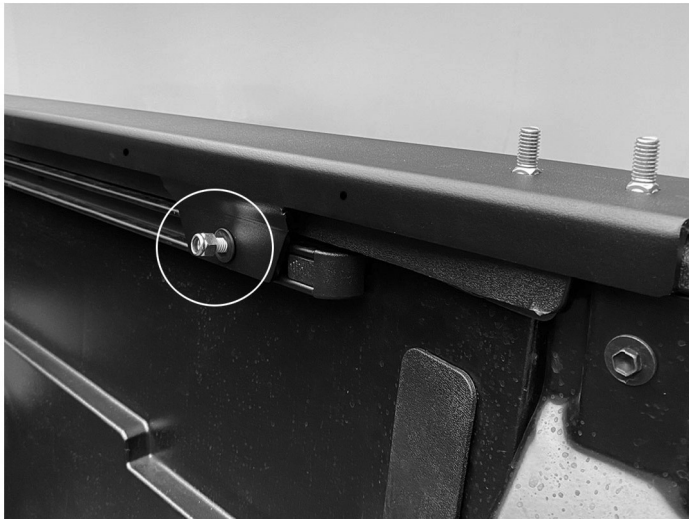
9. install (8) Flat head carriage bolts into the rack base rails for both sides of the vehicle.



11. Install (6) track inserts as shown to both sides of bed. Use the base rails from step #9 as a guide for location.



12. Install the driver side base rail as shown above. Run the LED harness along the inside of the base rail. Use the supplied push rivets and wire clamps. There should be approximately 70 inches of the end of the harness extending beyond the hole marked with an arrow.



13. Install the passenger side base rail as shown above

14. Install (6) 3/8" flat washer and lock nuts as shown on driver and passenger side base rails. Do not tighten at this step.



15. Install the assembled rack to the base rails on one side of the vehicle.

Repeat for the opposite side.



16. Use (2) 3/8" hex lock nuts and (2) flat washers to secure the legs of the rack to the base rails. Tighten the track insert bolts attaching the rail to the bed (From step 14) to secure the rail to the vehicle. Connect the LED lights to the harness, use the supplied wire clamps and push rivets to route the wires along the crossmembers.

USE OF THIS PRODUCT

Use of this product is limited to the application outlined in these instructions and is not intended to be installed on vehicles to which the product was not designed.

Make sure all fasteners are torqued to the specification outlined in the instructions. Check all fasteners periodically and inspect structural elements for excessive wear or corrosion.

ZROADZ, Inc is not liable for the performance of accessories mounted to the rack.

The rack is designed to load a maximum of 400lbs distributed evenly across the top of the rack during slow crawl off-road use, 800lbs of on-road driving and 1200lbs static load while the vehicle is stationary. Accessories mounted to other portions of the rack must be included in this calculation.

These capacities are for the rack only and are limited to the capacity of the vehicle itself.

This rack is not designed to carry any load during high speed, off-road driving. Use of this rack in this manner will void the product warranty and can cause damage to the vehicle.

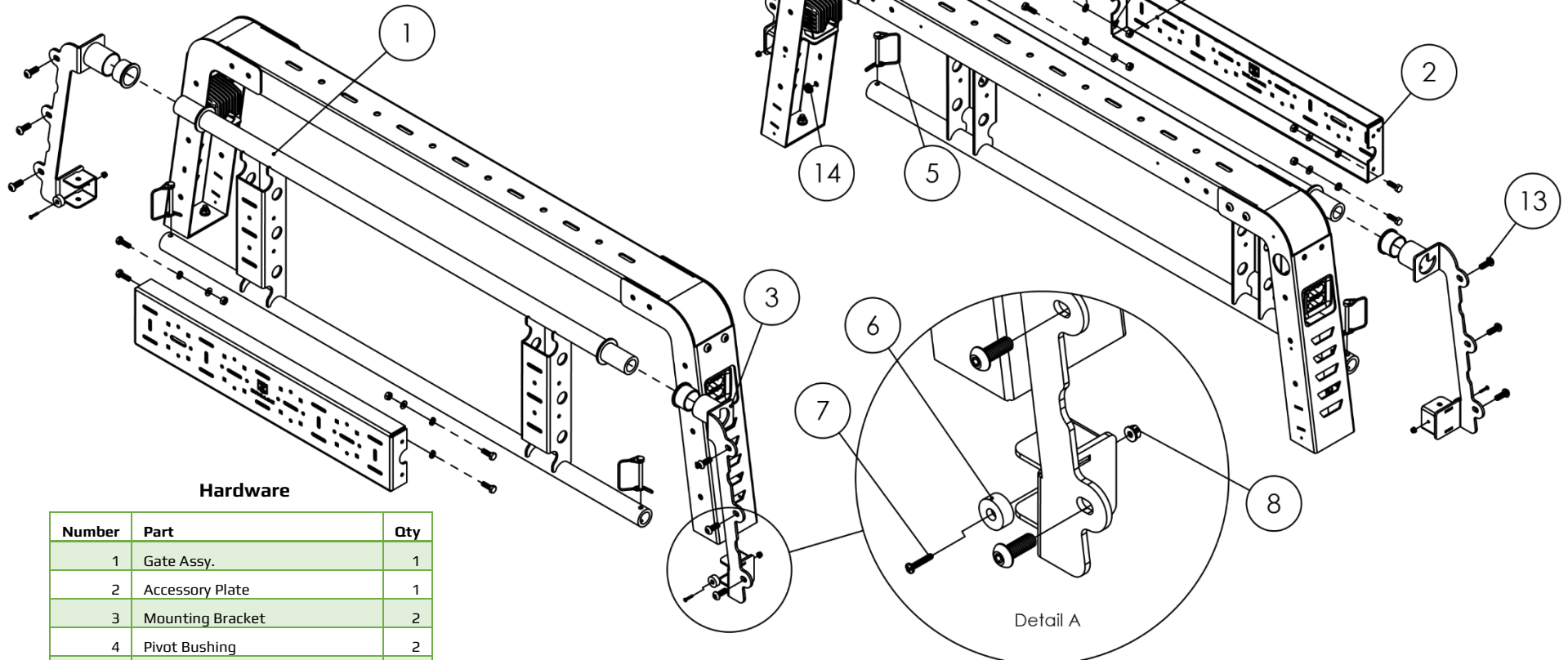
Accessory mount plates located under the aluminum longitudinal cross bars are designed to hold a maximum of 90 lbs distributed evenly across all 6 plates. Accessory mount plates under the steel transverse cross bars are designed to hold a maximum of 75 lbs distributed evenly across all 3 plates for each cross bar.

Aluminum access gates with accessory mount plates installed are designed to hold 35 lbs of accessories. The access gate features MDS - MOLYBDENUM DISULFIDE FILLED (MDS) pivot bushings and do not require lubrication. Do not lubricate the nylon bushings.

Check your local and state laws regarding truck racks that can extend loads and devices outside the boundaries of the vehicle.



Access Overland Rack Rear Gate (Z839001) Installation Guide



Hardware

Number	Part	Qty
1	Gate Assy.	1
2	Accessory Plate	1
3	Mounting Bracket	2
4	Pivot Bushing	2
5	Steel Pin	2
6	Gate Bumper	2
7	6-32 x 1/2" Phillips Pan Screw	2
8	#6-32 SS Flange Nut	2
9	1/4" - 20 TPI X 1.00" Hex Bolt	4
10	1/4" Split Lock Washer	4
11	316 SS Flat Washer	4
12	1/4" Nut	4
13	3/8" x 1" Button Head Cap Screw	6
14	3/8" Flange Nut	6

Instructions

Before mounting any parts of the gate, assemble the gate and its hardware. Steps 1-4 describe how to assemble the gate.

1. Attach the Accessory Plate [2] to the Gate Assy. [1]. Use (4) 1/4" - 20 TPI X 1.00 Hex Bolt [9], (4) 1/4" Lock Washers [10], (4) SS Flat Washers [11] and (4) 1/4" Nuts [12].
2. As shown in Detail A, secure the Gate Bumpers [6] onto the Mounting Brackets' [3] receiving clamp. Use a 6-32 x 1/2" Phillips Pan Screw [7] and a #6-32 SS Flange Nut [8] on each side of the gate.
3. Install the Pivot Bushings [4] into the sleeves of each Mounting Bracket [3].
4. Install both the Mounting Brackets [3] onto the gate. Secure this attachment by locking the Steel Pins [5] between the lower tubing and the receivers.
5. Once the gate has been assembled, mount the gate onto the rack's legs using (6) 3/8" x 1" Button Head Screws [13] and (6) 3/8" Flange Nuts [14]. Begin by hand tightening the top screws and following with the ones below. As you go down, try to align the gate on both sides. Once finished, you will know the rack is appropriately aligned if it can operate as intended and both the Steel Pins [5] can move freely between the lower tubing and its clamp receivers.