

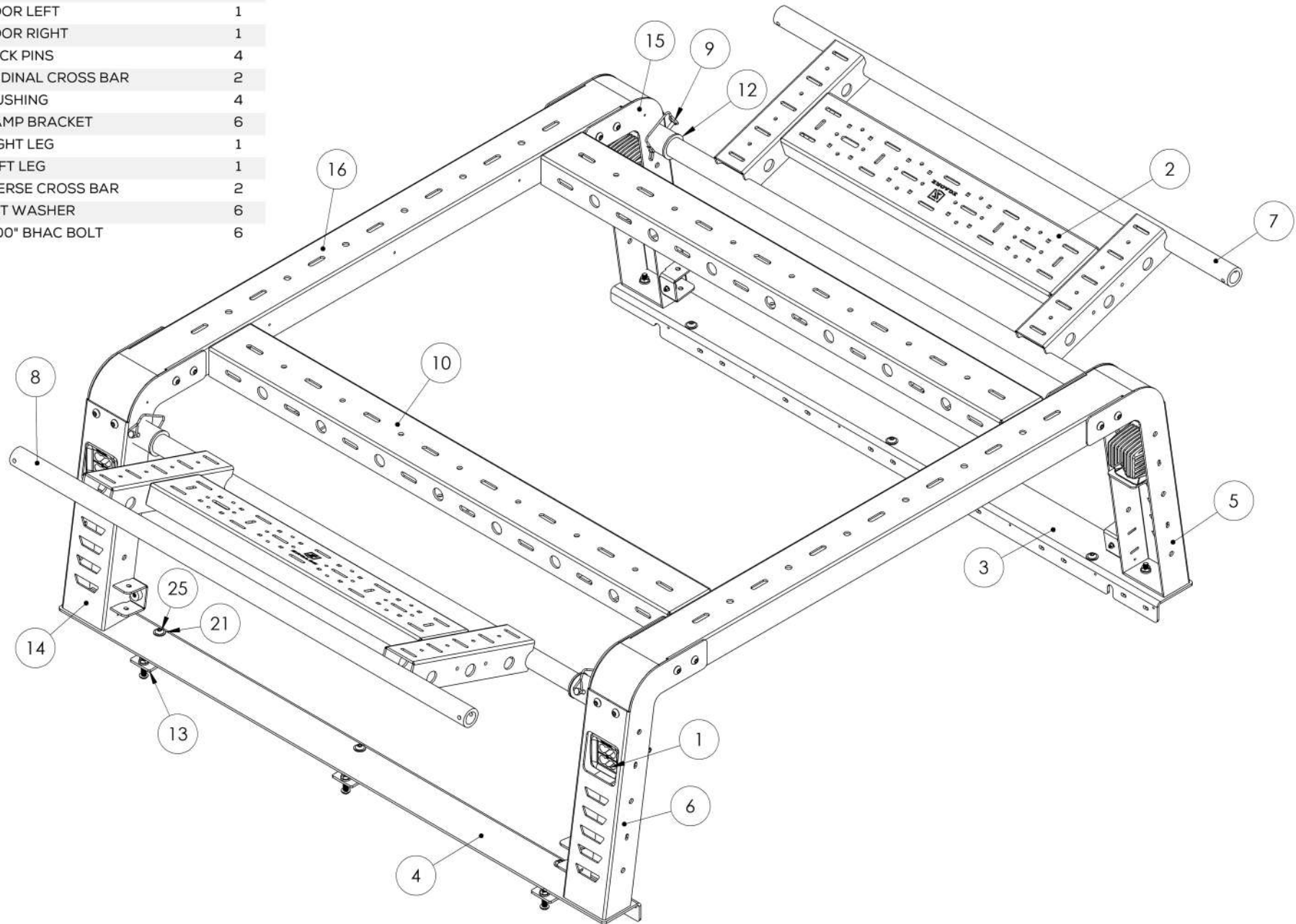
## Jeep Gladiator

### Installation Instructions

# Jeep Gladiator

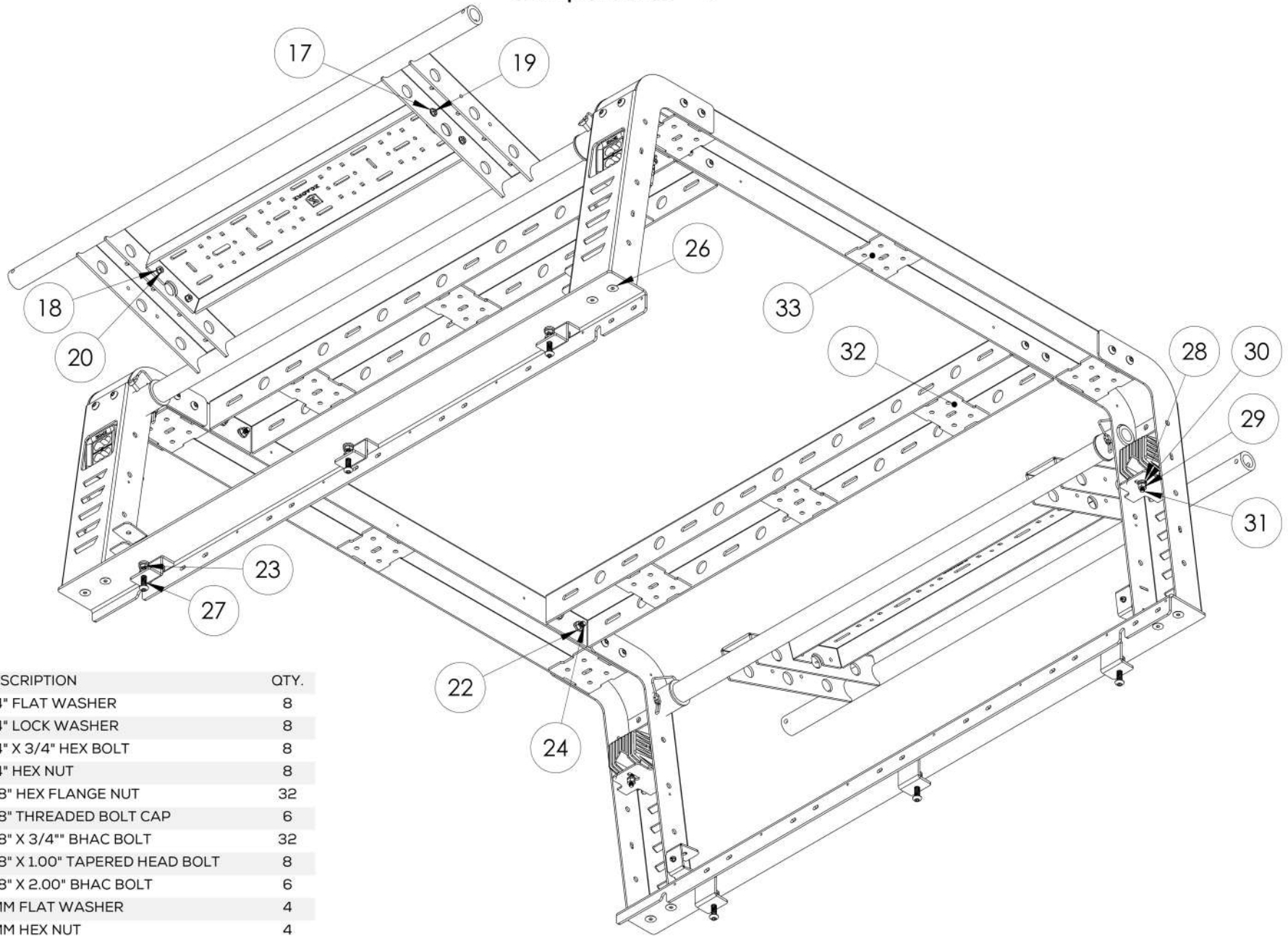
## Components - A

ITEM	DESCRIPTION	QTY.
1	2" LED LIGHT W/BRACKET	4
2	ACCESSORY PANEL	2
3	BASE RAIL LEFT	1
4	BASE RAIL RIGHT	1
5	FRONT LEFT LEG	1
6	FRONT RIGHT LEG	1
7	GATE DOOR LEFT	1
8	GATE DOOR RIGHT	1
9	GATE LOCK PINS	4
10	LONGITUDINAL CROSS BAR	2
12	PIVOT BUSHING	4
13	RAIL CLAMP BRACKET	6
14	REAR RIGHT LEG	1
15	REAR LEFT LEG	1
16	TRANSVERSE CROSS BAR	2
21	3/8" FLAT WASHER	6
25	3/8" X 1.00" BHAC BOLT	6



# Jeep Gladiator

## Components - B



ITEM	DESCRIPTION	QTY.
17	1/4" FLAT WASHER	8
18	1/4" LOCK WASHER	8
19	1/4" X 3/4" HEX BOLT	8
20	1/4" HEX NUT	8
22	3/8" HEX FLANGE NUT	32
23	3/8" THREADED BOLT CAP	6
24	3/8" X 3/4" BHAC BOLT	32
26	3/8" X 1.00" TAPERED HEAD BOLT	8
27	3/8" X 2.00" BHAC BOLT	6
28	8MM FLAT WASHER	4
29	8MM HEX NUT	4
30	8MM LOCK WASHER	4
31	8MM X 25MM BOLT	4
32	LONGITUDINAL ACCESSORY MOUNT	6
33	TRANSVERSE ACCESSORY MOUNT	6



## INSTALLATION INSTRUCTIONS

2020-2021 JEEP GLADIATOR

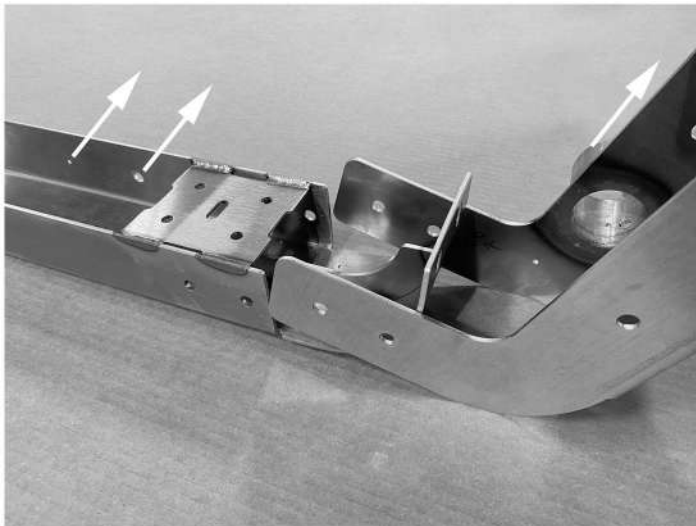
**PART NUMBER**  
Z834101

### TOOLS REQUIRED

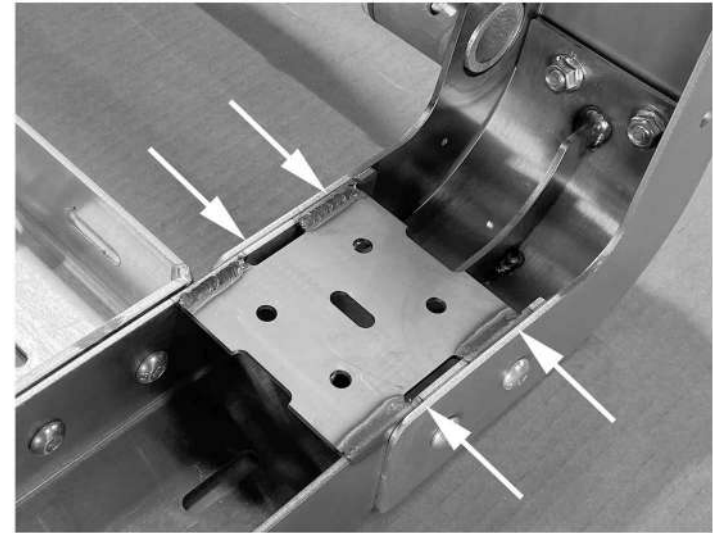
- >15mm wrench
- >13mm wrench
- >10mm wrench
- >3/8" drive ratchet
- >Torque wrench
- >Wire cutters

### INCLUDED

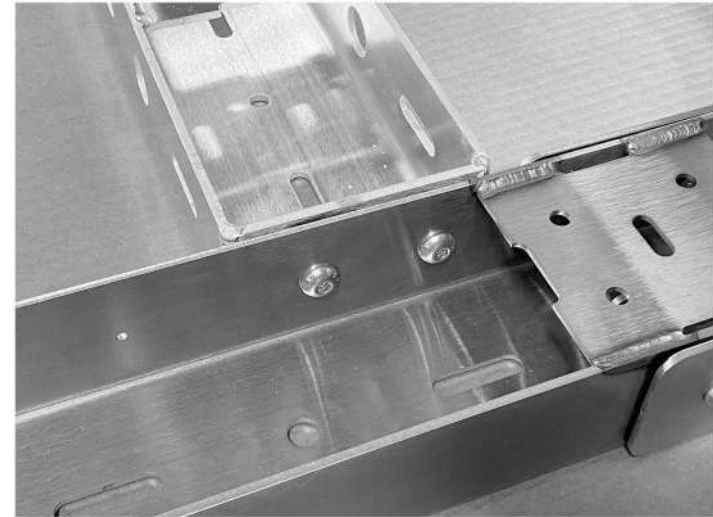
- >7/16" HEX KEY
- >PUSH RIVITS
- >WIRE CLAMPS
- >WIRE HARNESS
- >ZIP TIES



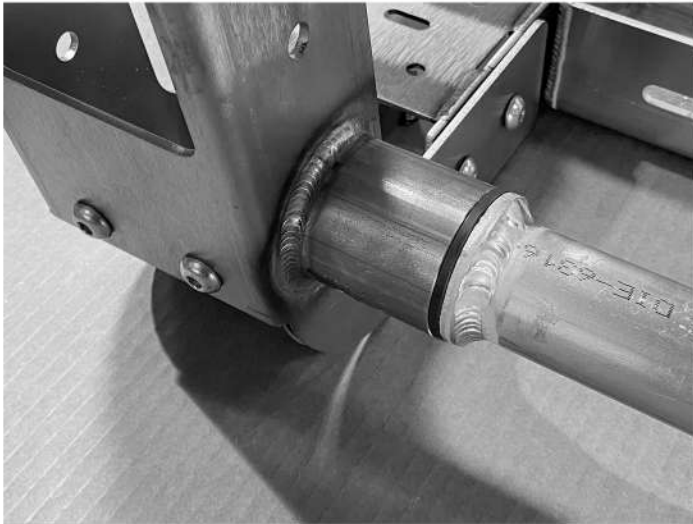
1. Install each leg to the transverse cross member. Use (6) 3/8"x1" button head bolts and flange lock nuts for each corner. Do not tighten securely. Make sure holes on the transverse cross member and gate pivot tube are facing the same direction.



2. Align the leg with the transverse cross bar and tighten all fasteners. Torque to 30 ft/lb. Confirm leg flanges are parallel with cross bar as shown.



3. Connect one side of both of the longitudinal cross bar as shown. Use (2) 3/8"x1" button head bolts and flange lock nuts. Torque to 30 ft/lb.



4. Install the gate shaft bushing into the leg housing as shown for both sides of the rack. Install the gate shaft into the bushing.



6. Install the rubber stop to each of the (4) legs. Use (1) 6-32 x 3/4" machine screw and (1) 6-32 nylon lock nut for each stop.



5. Connect second side of both of the lateral cross bars to the transverse cross bar as shown. Use (2) 3/8"x1" button head bolts and flange lock nuts. Torque to 30 ft/lb.



7. Install the base rails as shown to right and left sides of rack. 3. Connect one side of both of the lateral cross bar as shown. Torque to 30 ft/lb.



8. Close the gate door and lock into legs using (4) supplied pins. Install the accessory mount panel as shown using (4) 1/4" x 3/4" hex bolts, washer and nuts.



10. Route LED wires and harness on the right side of the vehicle using supplied wire clamp and push rivets as shown on the inside of the bed rails and cross bar assembly. Each leg and transverse cross bar has (9) holes, Each base rail has (7) holes.



9. install (4) 2" LED lights into legs as shown using 8mm x 25mm hex bolt, flat washer and lock washer.



11. Install the assembled rack to the vehicle. Do not install the clamps until after the rack is on the vehicle. Center the rack in the bed, using the (6) rail brackets clamp the bed rails to the vehicle. NOTE the chamfered corners of the bracket install to the rail first, then fasten the clamp bolt to secure the rail to the vehicle.

## USE OF THIS PRODUCT

Use of this product is limited to the application outlined in these instructions and is not intended to be installed on vehicles to which the product was not designed.

Make sure all fasteners are torqued to the specification outlined in the instructions. Check all fasteners periodically and inspect structural elements for excessive wear or corrosion.

ZROADZ, Inc is not liable for the performance of accessories mounted to the rack.

The rack is designed to load a maximum of 400lbs distributed evenly across the top of the rack during slow crawl off-road use, 800lbs of on-road driving and 1200lbs static load while the vehicle is stationary. Accessories mounted to other portions of the rack must be included in this calculation.

These capacities are for the rack only and are limited to the capacity of the vehicle itself.

This rack is not designed to carry any load during high speed, off-road driving. Use of this rack in this manner will void the product warranty and can cause damage to the vehicle.

Accessory mount plates located under the aluminum longitudinal cross bars are designed to hold a maximum of 90 lbs distributed evenly across all 6 plates. Accessory mount plates under the steel transverse cross bars are designed to hold a maximum of 75 lbs distributed evenly across all 3 plates for each cross bar.

Aluminum access gates with accessory mount plates installed are designed to hold 35 lbs of accessories. The access gate features MDS - MOLYBDENUM DISULFIDE FILLED (MDS) pivot bushings and do not require lubrication. Do not lubricate the nylon bushings.

Check your local and state laws regarding truck racks that can extend loads and devices outside the boundaries of the vehicle.