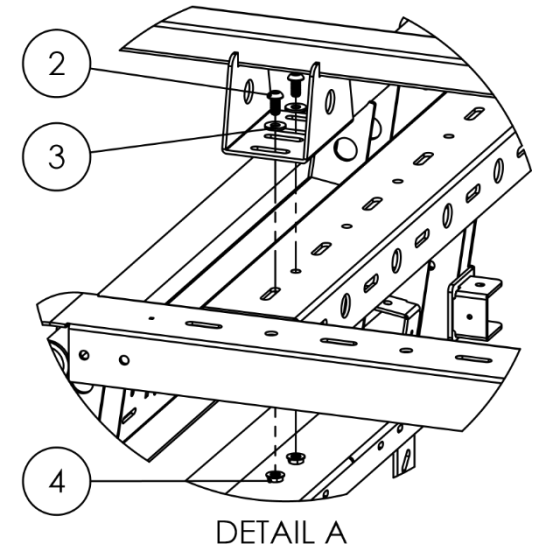
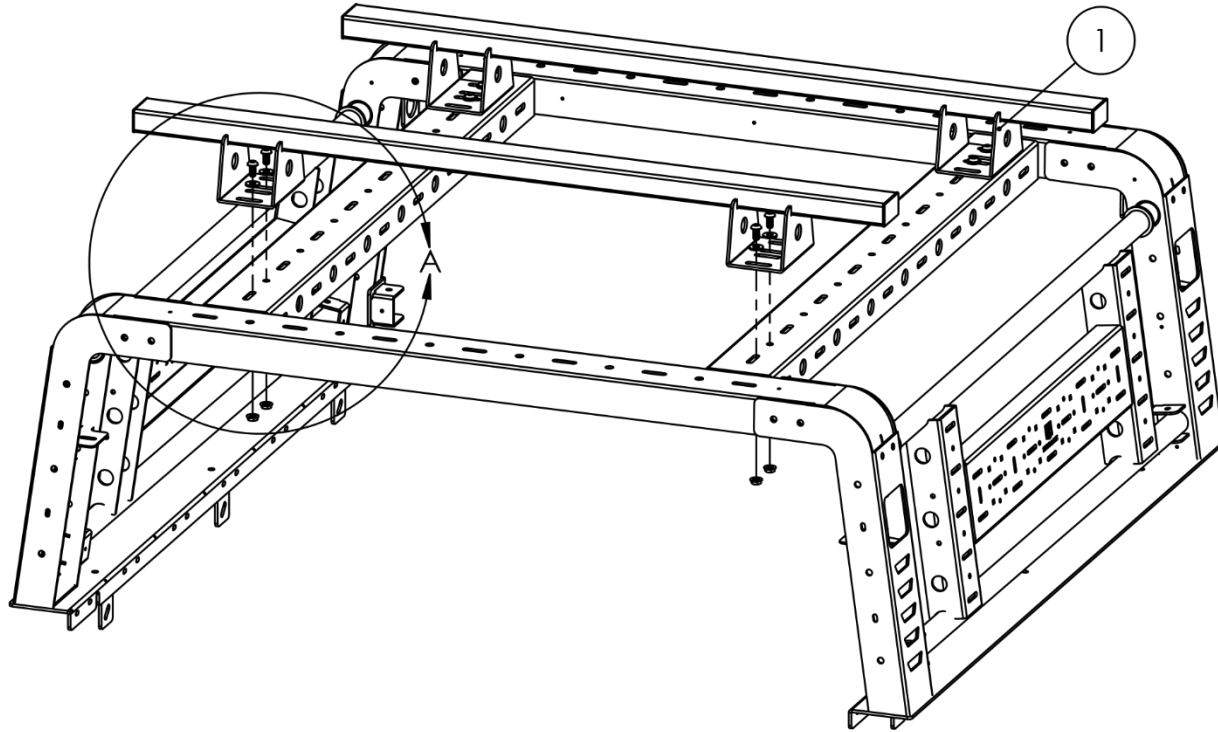




## Access Rack Crossbar Installation Guide



### Hardware

| Number | Part                                   | Qty |
|--------|--|-----|
| 1      | Access Rack Crossbar                   | 2   |
| 2      | 3/8" - 16 x 3/4" Button Head Cap Screw | 8   |
| 3      | 3/8" x 7/8" Metal Washer               | 8   |
| 4      | 3/8" - 16 Flange Nut                   | 8   |

### Instructions

1. Mount each Access Rack Crossbar [1] above your current Lateral Crossbars. As shown in the images above, these Crossbars will be fastened through the holes and openings found on their surfaces.
2. As shown in **DETAIL A**, find an arrangement that works for your needs and allows you to fasten each base twice.
3. Secure each base using (2) 3/4" Screws [2], (2) Metal Washer [3] and (2) Flange Nuts [4].

[View other truck bed accessories made by Zroadz on our website.](#)