



ZROADZ

DYNAMIC LED MOUNTING SOLUTIONS



PROFESSIONAL INSTALL RECOMMENDED

2019-2021 JEEP WRANGLER JL

PART#: Z394951 / Z394951-KIT

REAR SPARE TIRE LED LIGHT MOUNTS

PARTS ARE PATENT PENDING. ALL RIGHTS RESERVED - COPYRIGHT ©2018 - ZROADZ LED, INC.

PARTS INCLUDED

- (1) Rear Spare Tire Mounting Bracket

LED LIGHTS INCLUDED

- Z394951 - No LED Lights Included
- Z394951-KIT - (2) 3" LED Light Bar
- (1) Power Cable Wiring Harness

HARDWARE INCLUDED

- (2) - Stainless Steel M8 x 20 Hex Head Screws
- (2) - Stainless Steel M8 Split Lock Washers
- (2) - Stainless Steel M8 Hex Nuts
- (2) - M6-1.0 Extruded "U" Nuts

TOOLS REQUIRED

- Air Hose & Nozzle
- Alcohol Cleaning Solution
- Cleaning Rag
- Socket Set & Ratchet Tool
- Ratchet Extensions
- Various Wrenches
- Dikes or Snips
- Torq Bit Set
- Heat Gun

INSTALLATION GUIDE

START HERE

PLEASE READ AND UNDERSTAND ALL INSTRUCTIONS BEFORE INSTALLATION. Auto makers offer varied models to each vehicle and occasionally manufacture more than one body style of the same model.

* APPLICATION MODELS VARY. WE RECOMMEND TO VERIFY FITMENT BEFORE BEGINNING INSTALLATION PROCESS.
* IMAGES FEATURED IN THE INSTRUCTION DOCUMENTS MAY NOT ALWAYS EXACTLY MATCH YOUR MODEL OR PART.

BEFORE YOU BEGIN

START HERE: Turn off engine, chalk tires with stop block, open the hood and disconnect the battery. Layout and organize all the provided parts.

LED LIGHT BRACKET INSTALLATION

- STEP 1** 1) Lay out and all the provided parts.

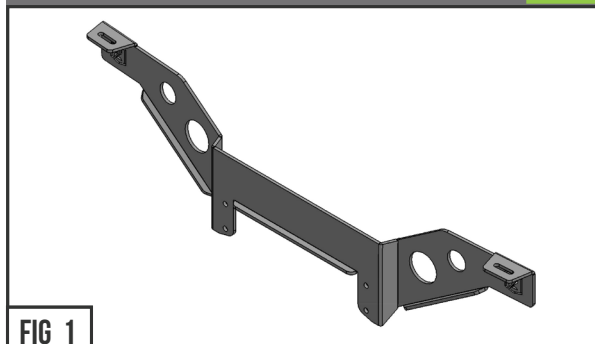


FIG 1

STEP 2

- 2) Organize the hardware and LED Pods if you have them.

SEE FIGURE 2

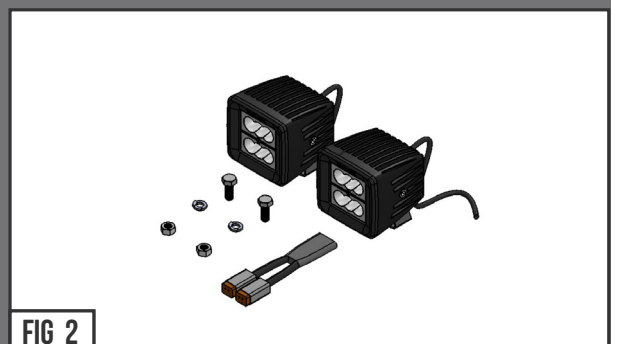


FIG 2



LED LIGHT BRACKET INSTALLATION - CONTINUED

PARTS ARE PATENT PENDING. ALL RIGHTS RESERVED - COPYRIGHT ©2018 - ZROADZ LED, INC.



FIG 3

STEP 3

SEE FIGURE 3

3) At the rear of the vehicle, unlock the tire and remove the spare.



FIG 4

STEP 4

SEE FIGURE 4

4) Unscrew and remove the (4) Screws that hold and secure the middle rear brake light as seen in Figure #4.

STEP 5

SEE FIGURES 5 & 6

5) Assemble the 3" LED Light Pods to the ZROADZ Mounting Bracket as seen in the Figures #5 & #6. The Pods are fully adjustable so point the LED in your preferred direction; Up / Down / to the Side away from Spare tire / etc.



FIG 5



FIG 6

LED LIGHT BRACKET INSTALLATION - CONTINUED



ZROADZ

DYNAMIC LED MOUNTING SOLUTIONS

LED LIGHT BRACKET INSTALLATION - CONTINUED

PARTS ARE PATENT PENDING. ALL RIGHTS RESERVED - COPYRIGHT ©2018 - ZROADZ LED, INC.



FIG 7

STEP 6

SEE FIGURE 7

6) Install the assembled ZROADZ Mounting Bracket onto the Vehicle's middle rear brake light as seen in the Figure #7.

Use the screws that were removed in Step #4.

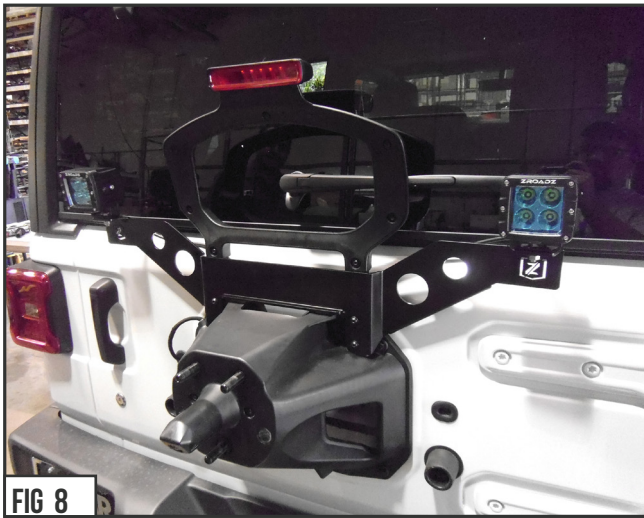


FIG 8

STEP 7

SEE FIGURE 4

7) At this point, it is recommended to wire up and connect LED Light Pods with a power wiring harness.

Route and hide all power wires to be hidden and discreet.

ZROADZ recommends LED Lights be wired with ZROADZ harness kit (part# Z390020D-25A) or by utilizing a compatible custom wiring harness. Wiring must be installed by competent & knowledgeable automotive electrician.

STEP 8

SEE FIGURE 7

8) Install Spare Tire and Spare Tire Lock in the reverse order it was removed.



FIG 9

STEP 9

ADJUSTMENT TIPS

9) To adjust the angle of your LED Lights, rotate the LED(s) to adjust the angles till your desired light pattern is reached. There will be minimal adjustment due to curved light bar orientation. You may than tighten the hardware and secure everything into place.

Be careful not to over tighten the mounting hardware.

It is best to adjust the angle with the vehicle on level ground with lights facing a wall, garage door or other solid barrier. We recommend checking from a distance of 25'. Your installation is now completed.



FIG 10

LED LIGHT BRACKET INSTALLATION - COMPLETE