



# ZROADZ

DYNAMIC LED MOUNTING SOLUTIONS



## UNIVERSAL EDGE CLAMP / LED / ACCESSORY MOUNT

Z390001 / Z390002

## UNIVERSAL ACCESSORY MOUNT LED LIGHT POD MOUNT

### PARTS INCLUDED

#### Z390001

- (1) Universal Accessory Mount  
W/ Top Plate & Bottom Plate

#### Z390002

- (2) Universal Accessory Mounts  
W/ Top Plate & Bottom Plate

### LED LIGHTS INCLUDED

**Z390001** - No LED Lights Included

**Z390002** - No LED Lights Included

\* LED Lights include a separate hardware kit.

### HARDWARE INCLUDED

#### Z390001

- ITEM #1 - (2) - 1/4" STAINLESS STEEL FLAT WASHER
- ITEM #2 - (2) - 1/4" NY LOCK SS HEX NUT
- ITEM #3 - (1) - 5/16" NYLOCK SS HEX NUT
- ITEM #4 - (1) - 5/16" STAINLESS STEEL FLAT WASHER

#### Z390002

- ITEM #1 - (4) - 1/4" STAINLESS STEEL FLAT WASHER
- ITEM #2 - (4) - 1/4" NY LOCK SS HEX NUT
- ITEM #3 - (2) - 5/16" NYLOCK SS HEX NUT
- ITEM #4 - (2) - 5/16" STAINLESS STEEL FLAT WASHER

### TOOLS REQUIRED

- Various Socket Set
- Various Wrenches
- Ratchet Tool
- Ratchet Extensions

### INSTALLATION GUIDE

#### START HERE

PLEASE READ AND UNDERSTAND ALL INSTRUCTIONS BEFORE INSTALLATION. Auto makers offer varied models to each vehicle and occasionally manufacture more than one body style of the same model.

\* APPLICATION MODELS VARY. WE RECOMMEND TO VERIFY FITMENT BEFORE BEGINNING INSTALLATION PROCESS.  
\* IMAGES FEATURED IN THE INSTRUCTION DOCUMENTS MAY NOT ALWAYS EXACTLY MATCH YOUR MODEL OR PART.

#### BEFORE YOU BEGIN

#### EDGE MOUNT INSTALLATION

START HERE: Turn off engine, chalk tires with stop block, open the hood and disconnect the battery.

#### STEP 1

- 1) Start by laying out all pieces and hardware.

Identify the Top Mounting Plate and Bottom Mounting Plate.

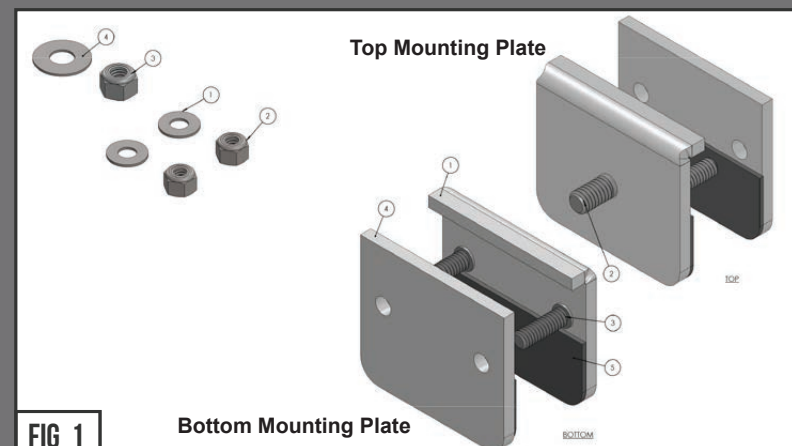
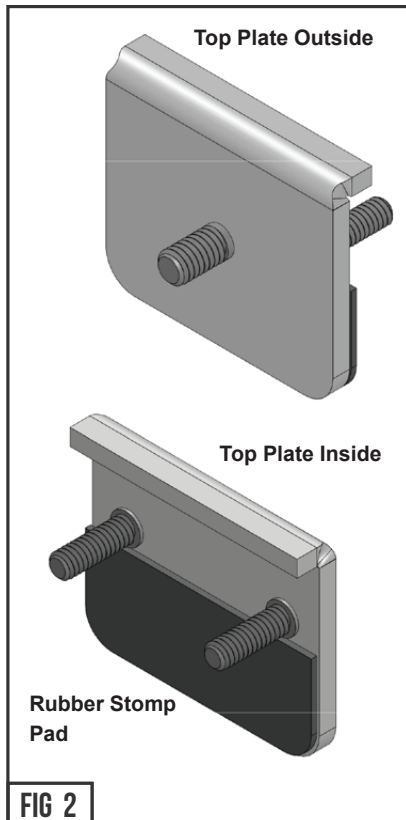


FIG 1

Bottom Mounting Plate



## UNIVERSAL EDGE MOUNT - CONTINUED



### STEP 2

SEE FIGURES 2 - 3

2) Identify where you will mount the Universal Edge Clamp.

Put into place the Top Mounting Plate and Bottom Mounting Plate. To protect the finish and vehicle paint, make sure the Rubber Stomp Pads are in direct contact with the mounting surface and is the primary surface.

Assemble and mount the two Clamping plates with the provided hardware to the two threaded mounting posts on the inside or bottom side of the Top Mounting Mounting Plate.

ITEM #1 - (2) - 1/4" STAINLESS STEEL FLAT WASHER

ITEM #2 - (2) - 1/4" NY LOCK SS HEX NUT

### FIG 17

### STEP 3

SEE FIGURE 4 - 5

3) At this point, you will want to position the LED Light Pod to your desired position. It can be positioned to face forward, backwards, sideways, ect. Tighten down till secure.

### STEP 4

4) Fix the LED Light Bracket Cradle to the ZROADZ Edge Clamp's single Mounting Post.

Clock LED Light in the desired position. Tighten all hardware.



## UNIVERSAL EDGE MOUNT INSTALLATION - COMPLETE



# ZROADZ

DYNAMIC LED MOUNTING SOLUTIONS

## PRODUCT CARE INFORMATION

### PRODUCT CARE INFORMATION

Wash regularly as you would when caring for your vehicles. Never use dish soap. Never leave wet water spots as that may leave a blemish.

### MATTE BLACK FINISH

Paint warranty applies to defects in material and / or workmanship, it does not cover the matte finish surface appearance.

To enjoy the matte appearance for many years to come, please follow these owner care and maintenance tips.

Get a no-shine matte car wash soap that uses no fillers, no silicone, and won't strip your matte paint of its layer of protection.

Do not use wax, detail spray, armorall®, or any products made for normal paint. Use only products specifically developed for matte finish paint. Do not use products that are even mildly abrasive, such as polishes, glazes, or rubbing compounds. Do not use mechanical cleaners or polishers. Do not use terrycloth, cloth, or paper towels. Do not rub the finish vigorously, this will burnish the paint finish, causing a permanent shiny spot. Shiny spots cannot be removed.

Do not use commercial car wash facilities or their shine enhancement products. Most car wash brushes, large mechanized "towels," and shine enhancement products can damage matte paint.

Remove foreign substances such as insect remains, tar, and road debris using a soft applicator and a mild solvent; saturate and soak area before cleaning—rub lightly.

Hand-wash with a soft wash mitt and mild cleaning product safe for matte paint. Use microfiber cleaning cloths with alcohol-based window cleaner for basic surface clean-up.

### GLOSS BLACK FINISH

ZROADZ with Gloss Black Powder Coated Finish may be washed regularly as you would when caring for your vehicles finish using soap and water. ZROADZ should be waxed at the same time that you wax the vehicle. As a general rule, anything you use to clean your vehicles painted surfaces can be used to clean and maintain your ZROADZ grille. A Gloss powder Coated Finish can be cared for in the same fashion that you would care for your vehicles factory paint job. Never leave wet water spots as that may leave a blemish.