



ZROADZ

DYNAMIC LED MOUNTING SOLUTIONS



2017 FORD F-250/F-350/SUPER DUTY

Z385471 / Z385471-KIT

REAR BUMPER LED LIGHT MOUNTS

PARTS ARE PATENT PENDING. ALL RIGHTS RESERVED - COPYRIGHT ©2016 - ZROADZ LED, INC.

PARTS INCLUDED

- (1) Driver Light Mount Bracket
- (1) Passenger Light Mount Bracket



Kit -
w/ (2) 6" LED
Light Bars

* Simulated Rendering, Not actual parts.
Kit - w/ (2) 6" LED Light Bars

LED LIGHTS INCLUDED

Z385471 - No LED Lights Included

Z385471-KIT - (2) ZROADZ 6" LED Light Bars

* LED Lights include a separate hardware kit.

HARDWARE INCLUDED

Z385471

- (1) - Left Side Rear Hanging Bracket - L
- (1) - Right Side Rear Hanging Bracket - R
- (1) - Universal Left Side Bracket LED Cradle
- (1) - Universal Right Side Bracket LED Cradle
- (4) - M8 x 16mm Button Head Allen Cap
Stainless Steel Bolts
- (4) - M8 Stainless Steel Hex Nuts
- (4) - 5/16" Flat Washers Black

Z385471-KIT

- (1) - Left Side Rear Hanging Bracket - L
- (1) - Right Side Rear Hanging Bracket - R
- (1) - Universal Left Side Bracket LED Cradle
- (1) - Universal Right Side Bracket LED Cradle
- (1) - Torx Bit T-40
- (4) - M8 Tamper Proof Bolt
- (4) - M8 x 16mm Button Head Allen Cap
Stainless Steel Bolts
- (4) - M8 Stainless Steel Hex Nuts
- (8) - 5/16" Flat Washers Black

TOOLS REQUIRED

- Various Socket Set
- Various Wrenches
- Ratchet Tool
- Ratchet Extensions

INSTALLATION GUIDE

START HERE

PLEASE READ AND UNDERSTAND ALL INSTRUCTIONS BEFORE INSTALLATION. Auto makers offer varied models to each vehicle and occasionally manufacture more than one body style of the same model.

* APPLICATION MODELS VARY. WE RECOMMEND TO VERIFY FITMENT BEFORE BEGINNING INSTALLATION PROCESS.
* IMAGES FEATURED IN THE INSTRUCTION DOCUMENTS MAY NOT ALWAYS EXACTLY MATCH YOUR MODEL OR PART.

BEFORE YOU BEGIN

START HERE: Turn off engine, chalk tires with stop block, open the hood and disconnect the battery.

LED LIGHT BRACKET INSTALLATION

STEP 1

1) Configure the main frame brackets to the adjustable light mounting plate according to the orientation of correct bracket for the correct side of the vehicle.

Driver side will be opposite of passenger side with both Lights pointing out from the rear of the vehicle.

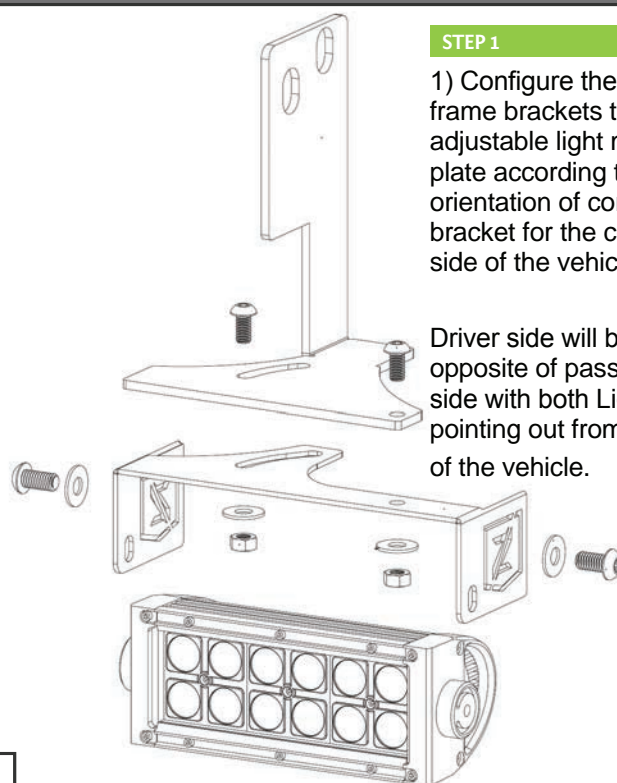


FIG 1



LED LIGHT BRACKET INSTALLATION - CONTINUED

PARTS ARE PATENT PENDING. ALL RIGHTS RESERVED - COPYRIGHT ©2016 - ZROADZ LED, INC.



FIG 2

STEP 2

SEE FIGURE 2

2) From under the rear bumper, take your ZROADZ LED light mount and mock it up into position. This will help you gain familiarity with the mounting orientation.

Identify these two bolts that hang the rear bumper on either side of vehicle corner.



FIG 3

STEP 3

SEE FIGURE 3

3) Using a Socket, or Wrench, loosen and hang the bracket mount into position and then tighten the bolts back down tight so they pinch the brackets against the frame.



FIG 4

STEP 4

SEE FIGURES 4 - 7

4) Prop the LED bracket mounts into place by sliding mounting tab slots up and over the factory bolts. Make sure the brackets are in the proper position, appropriate side and the LED light is facing away from the vehicles rear. Repeat on opposite side.

STEP 5 ADJUSTMENT TIPS

5) Using your best judgement, move the adjustable bracket piece into your preferred position, and finally tighten everything up for now.

FINAL INSTALLATION



FIG 5



FIG 6



FIG 7



ZROADZ

DYNAMIC LED MOUNTING SOLUTIONS

LED LIGHT BRACKET INSTALLATION - CONTINUED

PARTS ARE PATENT PENDING. ALL RIGHTS RESERVED - COPYRIGHT ©2016 - ZROADZ LED, INC.

STEP 6

6) Wire LED Light with a ZROADZ optional wiring harness kit (part# Z390020S-A) or by utilizing a compatible custom wiring harness. ZROADZ recommends LED Lights be wired with ZROADZ harness kit (part# Z390020S-A).

STEP 7

7) To adjust the angle of your Light Bar, rotate the LED(s) to adjust the angles till your desired light pattern is reached. You may than tighten the hardware and also mounting bracket and secure everything into place. Be careful not to over tighten the mounting hardware.

It is best to adjust the angle with the vehicle on level ground with lights facing a wall, garage door or other solid barrier. We recommend checking from a distance of 25'. Your installation is now completed.



LED LIGHT BRACKET INSTALLATION - PROCESS COMPLETE