



ZROADZ

DYNAMIC LED MOUNTING SOLUTIONS



2015-2018 FORD TRANSIT VAN

PART #: Z365751, & Z365751-KIT2

HOOD HINGE LED LIGHT MOUNTS

PARTS ARE PATENT PENDING. ALL RIGHTS RESERVED - COPYRIGHT ©2018 - ZROADZ LED, INC.

PARTS INCLUDED

- (1) Driver Side Light Mount Hood Hinge Bracket
- (1) Passenger Side Light Mount Hood Hinge Bracket

LED LIGHTS INCLUDED

* APPLIES TO KIT ONLY*

- (2) 3" ZROADZ LED Light Pods
- (1) Power Cable Wiring Harness

HARDWARE INCLUDED

Z365751 & Z365751-KIT2

- | | |
|--|--|
| (2) - M8 x 20 Hex Head CAP Screws | (2) - M8 x 20 Hex Head CAP Screws |
| (2) - M8 Hex Head Stainless Steel Nuts | (2) - M8 Hex Head Stainless Steel Nuts |
| (2) - M8 Split Lock Washers | (2) - M8 Split Lock Washers |
| (4) - 5 / 16 - 12 x 1" Hex Head Nuts | (4) - 5 / 16 - 12 x 1" Hex Head Nuts |
| (4) - 5 / 16" Black Flat Washers | (4) - 5 / 16" Black Flat Washers |

TOOLS REQUIRED

- Prying Tool
- Various Socket Set
- Various Wrenches
- Ratchet Tool
- Ratchet Extensions

INSTALLATION GUIDE

BEFORE YOU BEGIN

PLEASE READ AND UNDERSTAND ALL INSTRUCTIONS BEFORE INSTALLATION. Auto makers offer varied models to each vehicle and occasionally manufacture more than one body style of the same model.

* APPLICATION MODELS VARY. WE RECOMMEND TO VERIFY FITMENT BEFORE BEGINNING INSTALLATION PROCESS.
* IMAGES FEATURED IN THE INSTRUCTION DOCUMENTS MAY NOT ALWAYS EXACTLY MATCH YOUR MODEL OR PART.

START HERE

Turn off engine, chalk tires with stop block, open the hood and disconnect the battery.

LED LIGHT BRACKET INSTALLATION

STEP 1

1) Open and unbox the ZROADZ package. Sort out all components and hardware pack.

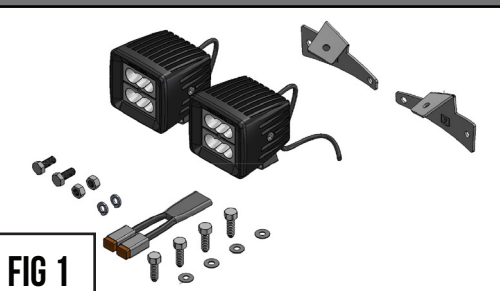


FIG 1

STEP 2

2) At the A-Pillar of the vehicle, identify and remove the 2 plastic screws.

SEE FIGURE 2



FIG 2



ZROADZ

DYNAMIC LED MOUNTING SOLUTIONS

LED LIGHT BRACKET INSTALLATION - CONTINUED

PARTS ARE PATENT PENDING. ALL RIGHTS RESERVED - COPYRIGHT ©2018 - ZROADZ LED, INC.



FIG 3

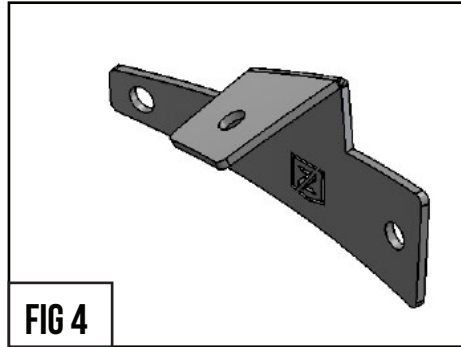


FIG 4

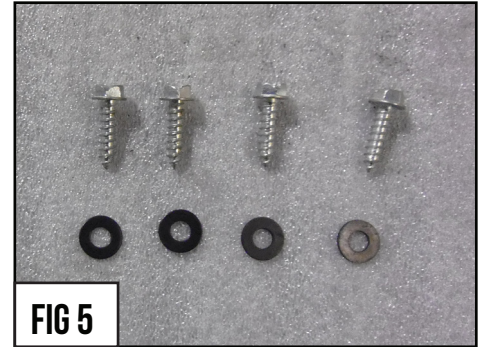


FIG 5

STEP 3

SEE FIGURE 3

3) Use a prying tool to remove the plastic cover

STEP 4

SEE FIGURES 4-6

4) Put into place the ZROADZ Bracket and secure to Vehicle A-Pillar with supplied Hardware. (Hex Head Nuts & Black Flat Washers).

Repeat on opposite side.

STEP 5

SEE FIGURE 7

5) Install LED Light Pod to ZROADZ Bracket with supplied hardware. (M8 x 20 CAP Screws & M8 Stainless Steel Nuts).

Repeat on opposite side.



FIG 6

STEP 6

INSPECT YOUR WORK

6) Carefully inspect your work, once you are satisfied with the look and placement of your LED Light Bar and brackets go ahead and tighten everything up.

STEP 7

ADJUSTMENT TIPS

6) To adjust the angle of your Light Bar, rotate the LED(s) to adjust the angles till your desired light pattern is reached. You may then tighten the hardware and also mounting bracket to hood and secure everything into place. Note your tape marker under hood to check for proper alignment. Be careful not to over tighten the mounting hardware.

It is best to adjust the angle with the vehicle on level ground with lights facing a wall, garage door or other solid barrier. We recommend checking from a distance of 25'.

Your installation is now completed.



FIG 7

LED LIGHT BRACKET INSTALLATION - COMPLETE



ZROADZ
DYNAMIC LED MOUNTING SOLUTIONS

PRODUCT CARE INFORMATION

PRODUCT CARE INFORMATION

Wash regularly as you would when caring for your vehicles. Never use dish soap. Never leave wet water spots as that may leave a blemish.

MATTE BLACK FINISH

Paint warranty applies to defects in material and / or workmanship, it does not cover the matte finish surface appearance. To enjoy the matte appearance for many years to come, please follow these owner care and maintenance tips. Get a no-shine matte car wash soap that uses no fillers, no silicone, and won't strip your matte paint of its layer of protection. Do not use wax, detail spray, armorall®, or any products made for normal paint. Use only products specifically developed for matte finish paint. Do not use products that are even mildly abrasive, such as polishes, glazes, or rubbing compounds. Do not use mechanical cleaners or polishers. Do not use terry cloth, cloth, or paper towels. Do not rub the finish vigorously, this will burnish the paint finish, causing a permanent shiny spot. Shiny spots cannot be removed.

Do not use commercial car wash facilities or their shine enhancement products. Most car wash brushes, large mechanized "towels", and shine enhancement products can damage matte paint.

Remove foreign substances such as insect remains, tar, and road debris using a soft applicator and a mild solvent; saturate and soak area before cleaning - rub lightly.

Hand-wash with a soft wash mitt and mild cleaning product safe for matte paint. Use microfiber cleaning cloths with alcohol-based window cleaner for basic surface clean-up.

GLOSS BLACK FINISH

ZROADZ with Gloss Black Powder Coated Finish may be washed regularly as you would when caring for your vehicles finish using soap and water. ZROADZ should be waxed at the same time that you wax the vehicle. As a general rule, anything you use to clean your vehicles painted surfaces can be used to clean and maintain your ZROADZ grille. A Gloss powder Coated Finish can be cared for in the same fashion that you would care for your vehicles factory paint job. Never leave wet water spots as that may leave a blemish.