



ZROADZ

DYNAMIC LED MOUNTING SOLUTIONS



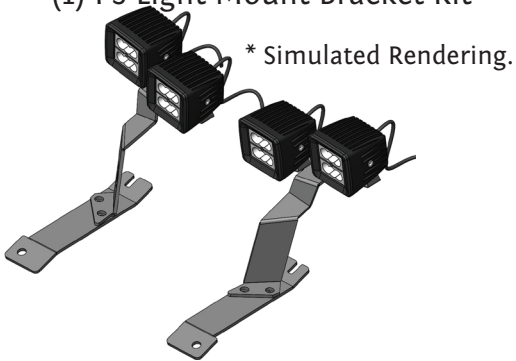
2011-2016 FORD SUPER DUTY

Z365461 / Z365461-KIT2 / Z365462 / Z365462-KIT4
HOOD HINGE / A-PILLAR LED LIGHT MOUNTS

PARTS ARE PATENT PENDING. ALL RIGHTS RESERVED - COPYRIGHT ©2016 - ZROADZ LED, INC.

PARTS INCLUDED

- (1) DS Light Mount Bracket Kit
- (1) PS Light Mount Bracket Kit



LED LIGHTS INCLUDED

- Z365461 - No LED Lights Included
- Z365461-KIT2 - (2) ZROADZ 3" LED Light Pods
- Z365462 - No LED Lights Included
- Z365462-KIT4 - (4) ZROADZ 3" LED Light Pods

HARDWARE INCLUDED

* APPLIES TO KIT PACKAGES ONLY

Z365461-KIT2

- (2) - M8 - 1.25 x 20 Stainless Steel Hex Bolt
- (4) - 1/4-20 Hex Stainless Steel Nuts
- (4) - 1/4" Stainless Steel Flat Washers
- (1) - 2 pc Bracket Kit - L
- (1) - 2 pc Bracket Kit - R

Z365462-KIT4

- (4) - M8 - 1.25 x 20 Stainless Steel Hex Bolt
- (4) - 1/4-20 Hex Stainless Steel Nuts
- (4) - 1/4" Stainless Steel Flat Washers
- (2) - Dual Light Bracket Adapter
- (1) - 2 pc Bracket Kit - L
- (1) - 2 pc Bracket Kit - R

TOOLS REQUIRED

- Various Socket Set
- Various Wrenches
- Ratchet Tool
- Ratchet Extensions

INSTALLATION GUIDE

START HERE

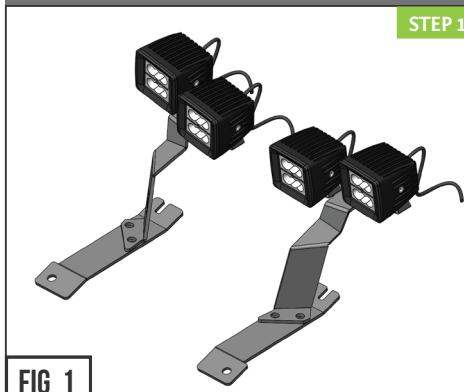
PLEASE READ AND UNDERSTAND ALL INSTRUCTIONS BEFORE INSTALLATION. Auto makers offer varied models to each vehicle and occasionally manufacture more than one body style of the same model.

* APPLICATION MODELS VARY. WE RECOMMEND TO VERIFY FITMENT BEFORE BEGINNING INSTALLATION PROCESS.
* IMAGES FEATURED IN THE INSTRUCTION DOCUMENTS MAY NOT ALWAYS EXACTLY MATCH YOUR MODEL OR PART.

BEFORE YOU BEGIN

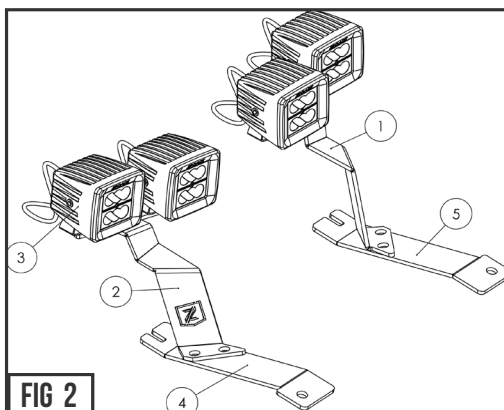
START HERE: Turn off engine, chalk tires with stop block, open the hood and disconnect the battery.

LED LIGHT BRACKET INSTALLATION



1) The included brackets to not attach directly to the hood, they are installed onto the inner fender panel and extend behind the hood cowl. Once installed they will remain fixed to the inner fender panel, separate from the hood itself.

FIG 1



ITEM NO.	DESCRIPTION	QTY.
1	BRACKET-L	1
2	BRACKET-R	1
3	3" SQUARE LED CUBE	4
4	BOTTOM BRACKET RH	1
5	BOTTOM BRACKET LH	1

NOTE: QTY. OF LIGHT CUBE MAY VARY DEPENDING ON YOUR ORDER PREFERENCE



ZROADZ

DYNAMIC LED MOUNTING SOLUTIONS

LED LIGHT BRACKET INSTALLATION - CONTINUED

PARTS ARE PATENT PENDING. ALL RIGHTS RESERVED - COPYRIGHT ©2016 - ZROADZ LED, INC.

STEP 2

SEE FIGURE 3

2) To begin the installation, put into place the ZROADZ Mounting Brackets. Note the approximate locations in Figure #3. Access the (2) oem bolts located below the hood hinge on the floor of the inner fender panel.



FIG 3



FIG 4



FIG 5

STEPS 3 & 4

SEE FIGURES 4 & 5

3) There is one on each end of the bottom Mounting Bracket Plate. Remove the bolt that is closer to the nose of the vehicle to place the base plate bracket into its position.

4) LOOSEN the bolt closer to the cab and slip the Bracket into position.

STEP 5

5) At this point it is recommended to fix the LED Light Pods to the ZROADZ Top Piece Mounting Bracket, or if you are using a Dual Pod Adapter Plate, go ahead and install the LED Light Pods to the Dual Pod Adapter Plate using the attached documentation.

For now leave slightly loose.



FIG 6

STEP 6

SEE FIGURES 6 & 7

6) Take the assembled the ZROADZ Top Piece Mounting Bracket and slide it into position, between hood and cowl, and slip it over the ZROADZ pre-determined mounting points on the ZROADZ Bottom Mounting Bracket Plate.

Use the provided hardware and secure them into position.



FIG 7

BRACKET INSTALLATION - PROCESS CONTINUED



ZROADZ

DYNAMIC LED MOUNTING SOLUTIONS

LED LIGHT BRACKET INSTALLATION - CONTINUED

PARTS ARE PATENT PENDING. ALL RIGHTS RESERVED - COPYRIGHT ©2016 - ZROADZ LED, INC.

STEP 7

7) Check alignment with the hood, make sure hood opens and closes without interference. Tighten and secure oem and supplied fasteners. For Now, Hand tighten mounting bolts.

STEPS 8

SEE FIGURE 8

8) Look over your work carefully, inspect for hood clearances and all obstructions are clear or tucked out of the way. Check all fasteners and tighten hardware for Light Pods to brackets as shown in Figure # 8.

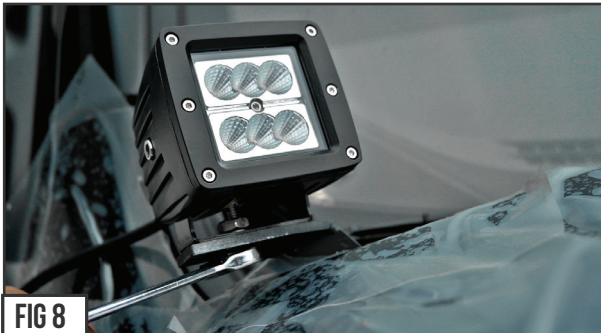


FIG 8

FINISHED EXAMPLES



FIG 9



FIG 10



FIG 11

STEP 9

10) Wire LED Light with a ZROADZ optional wiring harness kit (part# Z390020S-A) or by utilizing a compatible custom wiring harness. ZROADZ recommends LED Lights be wired with ZROADZ harness kit (part# Z390020S-A).

STEP 11 ADJUSTMENT TIPS

11) To adjust the angle of your Light Bar, rotate the LED(s) to adjust the angles till your desired light pattern is reached. You may than tighten the hardware and also mounting bracket to hood and secure everything into place. Note your tape marker under hood to check for proper alignment. Be careful not to over tighten the mounting hardware.

It is best to adjust the angle with the vehicle on level ground with lights facing a wall, garage door or other solid barrier. We recommend checking from a distance of 25'. Your installation is now completed.

LED LIGHT BRACKET INSTALLATION - PROCESS COMPLETE



ZROADZ

DYNAMIC LED MOUNTING SOLUTIONS

PRODUCT CARE INFORMATION

PRODUCT CARE INFORMATION

Wash regularly as you would when caring for your vehicles. Never use dish soap. Never leave wet water spots as that may leave a blemish.

MATTE BLACK FINISH

Paint warranty applies to defects in material and / or workmanship, it does not cover the matte finish surface appearance.

To enjoy the matte appearance for many years to come, please follow these owner care and maintenance tips.

Get a no-shine matte car wash soap that uses no fillers, no silicone, and won't strip your matte paint of its layer of protection.

Do not use wax, detail spray, armorall®, or any products made for normal paint. Use only products specifically developed for matte finish paint. Do not use products that are even mildly abrasive, such as polishes, glazes, or rubbing compounds. Do not use mechanical cleaners or polishers. Do not use terrycloth, cloth, or paper towels. Do not rub the finish vigorously, this will burnish the paint finish, causing a permanent shiny spot. Shiny spots cannot be removed.

Do not use commercial car wash facilities or their shine enhancement products. Most car wash brushes, large mechanized "towels," and shine enhancement products can damage matte paint.

Remove foreign substances such as insect remains, tar, and road debris using a soft applicator and a mild solvent; saturate and soak area before cleaning—rub lightly.

Hand-wash with a soft wash mitt and mild cleaning product safe for matte paint. Use microfiber cleaning cloths with alcohol-based window cleaner for basic surface clean-up.

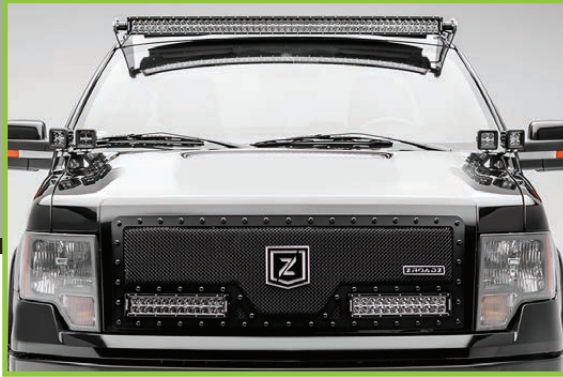
GLOSS BLACK FINISH

ZROADZ with Gloss Black Powder Coated Finish may be washed regularly as you would when caring for your vehicles finish using soap and water. ZROADZ should be waxed at the same time that you wax the vehicle. As a general rule, anything you use to clean your vehicles painted surfaces can be used to clean and maintain your ZROADZ grille. A Gloss powder Coated Finish can be cared for in the same fashion that you would care for your vehicles factory paint job. Never leave wet water spots as that may leave a blemish.



ZROADZ

DYNAMIC LED MOUNTING SOLUTIONS



UNIVERSAL DUAL POD ADAPTER PLATE

Z360002

DUAL POD ADAPTER FOR HOOD HINGE / A-PILLAR LED LIGHT MOUNTS

PARTS ARE PATENT PENDING. ALL RIGHTS RESERVED - COPYRIGHT ©2016 - ZROADZ LED, INC.

PARTS INCLUDED

- (1) Driver Side Light Mount Bracket
- (1) Passenger Side Light Mount Bracket



* Simulated Rendering, NOT Actual Parts.

LED LIGHTS INCLUDED

Z360002 - No LED Lights Included

* LED Lights include a separate hardware kit.

HARDWARE INCLUDED

* APPLIES TO KIT PACKAGES ONLY

Z360002

- (4) - M8 x 12mm Hex Cap Screw
- (2) - M8 - 1.25 x 20 Stainless Steel Hex Bolt
- (6) - M8 Stainless Steel Nuts
- (6) - M8 Stainless Steel Lock Washers
- (2) - Dual Light Bracket Adapter

TOOLS REQUIRED

- Various Socket Set
- Various Wrenches
- Ratchet Tool
- Ratchet Extensions

PAGE 1

INSTALLATION GUIDE

START HERE

PLEASE READ AND UNDERSTAND ALL INSTRUCTIONS BEFORE INSTALLATION. Auto makers offer varied models to each vehicle and occasionally manufacture more than one body style of the same model.

* APPLICATION MODELS VARY. WE RECOMMEND TO VERIFY FITMENT BEFORE BEGINNING INSTALLATION PROCESS.
* IMAGES FEATURED IN THE INSTRUCTION DOCUMENTS MAY NOT ALWAYS EXACTLY MATCH YOUR MODEL OR PART.

BEFORE YOU BEGIN

START HERE: Turn off engine, chalk tires with stop block, open the hood and disconnect the battery.

LED LIGHT BRACKET INSTALLATION

- STEP 1** 1) Begin by assembling the LED Light Pod hardware to the Pod itself. Slip the cradle mount into position and then tighten.



FIG 1

MOVE ONTO STEP 2

STEP 2

2) With the pods mounted to their individual brackets, bolt them to the Dual Pod Adapter Plate as seen in Fig 2. Make sure to use the provided washer and nuts.

SEE FIGURE 2



FIG 2



ZROADZ

DYNAMIC LED MOUNTING SOLUTIONS

LED LIGHT BRACKET INSTALLATION - CONTINUED

PARTS ARE PATENT PENDING. ALL RIGHTS RESERVED - COPYRIGHT ©2016 - ZROADZ LED, INC.



FIG 3



FIG 4

STEP 3

SEE FIGURE 3

3) Take note of the provided image to visually reference Dual Pod Adapter Plate fully assembled.

STEP 4

SEE FIGURES 4 & 5

4) You should now be ready to mount the fully assembled Dual Pod Adapter Plate and mate it to the ZROADZ Hood Hinge Bracket Mount.

Layout the provided hardware, insert the bolt and then fix it to the Hood Hinge mount as seen in Fig. 5.

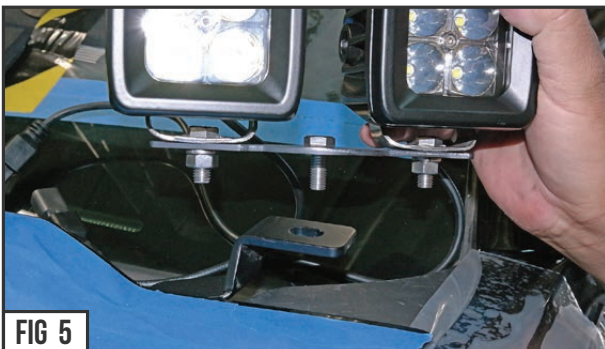


FIG 5

FINISHED EXAMPLES



FIG 6



FIG 7

PRO TIP

SEE FIGURE 5

You may consider fully assembling Hood Hinge / Dual Pod Adapter Plate / & LED Light Pods onto bracket first, and then slipping into place with Hood open and finally securing to Hood Hinge Mount.

STEP 6 ADJUSTMENT TIPS

6) To adjust the angle of your Light Bar, rotate the LED(s) to adjust the angles till your desired light pattern is reached. You may then tighten the hardware and also mounting bracket to hood and secure everything into place. Note your tape marker under hood to check for proper alignment. Be careful not to over tighten the mounting hardware.

It is best to adjust the angle with the vehicle on level ground with lights facing a wall, garage door or other solid barrier. We recommend checking from a distance of 25'. Your installation is now completed.



FIG 8

LED LIGHT BRACKET INSTALLATION - PROCESS COMPLETE



ZROADZ

DYNAMIC LED MOUNTING SOLUTIONS

PRODUCT CARE INFORMATION

PRODUCT CARE INFORMATION

Wash regularly as you would when caring for your vehicles. Never use dish soap. Never leave wet water spots as that may leave a blemish.

MATTE BLACK FINISH

Paint warranty applies to defects in material and / or workmanship, it does not cover the matte finish surface appearance.

To enjoy the matte appearance for many years to come, please follow these owner care and maintenance tips.

Get a no-shine matte car wash soap that uses no fillers, no silicone, and won't strip your matte paint of its layer of protection.

Do not use wax, detail spray, armorall®, or any products made for normal paint. Use only products specifically developed for matte finish paint. Do not use products that are even mildly abrasive, such as polishes, glazes, or rubbing compounds. Do not use mechanical cleaners or polishers. Do not use terrycloth, cloth, or paper towels. Do not rub the finish vigorously, this will burnish the paint finish, causing a permanent shiny spot. Shiny spots cannot be removed.

Do not use commercial car wash facilities or their shine enhancement products. Most car wash brushes, large mechanized "towels," and shine enhancement products can damage matte paint.

Remove foreign substances such as insect remains, tar, and road debris using a soft applicator and a mild solvent; saturate and soak area before cleaning—rub lightly.

Hand-wash with a soft wash mitt and mild cleaning product safe for matte paint. Use microfiber cleaning cloths with alcohol-based window cleaner for basic surface clean-up.

GLOSS BLACK FINISH

ZROADZ with Gloss Black Powder Coated Finish may be washed regularly as you would when caring for your vehicles finish using soap and water. ZROADZ should be waxed at the same time that you wax the vehicle. As a general rule, anything you use to clean your vehicles painted surfaces can be used to clean and maintain your ZROADZ grille. A Gloss powder Coated Finish can be cared for in the same fashion that you would care for your vehicles factory paint job. Never leave wet water spots as that may leave a blemish.