



ZROADZ

DYNAMIC LED MOUNTING SOLUTIONS



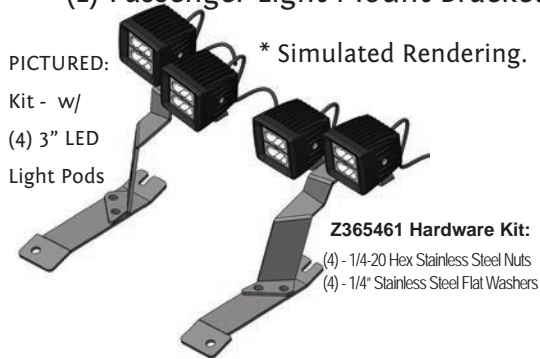
2011-2016 FORD SUPER DUTY

Z365461 / Z365461-KIT2 / Z365461-KIT4
HOOD HINGE / A-PILLAR LED LIGHT MOUNTS

PARTS ARE PATENT PENDING. ALL RIGHTS RESERVED - COPYRIGHT ©2016 - ZROADZ LED, INC.

PARTS INCLUDED

- (1) Driver Light Mount Bracket
- (1) Passenger Light Mount Bracket



LED LIGHTS INCLUDED

- Z365461** - No LED Lights Included
- Z365461-KIT2** - (2) ZROADZ 3" LED Light Pods
- Z365461-KIT4** - (4) ZROADZ 3" LED Light Pods
- * LED Lights include a separate hardware kit.

HARDWARE INCLUDED

* APPLIES TO KIT PACKAGES ONLY

Z365461-KIT2

- (2) - M8 - 1.25 x 20 Stainless Steel Hex Bolt
- (2) - M8 Stainless Steel Nuts
- (2) - M8 Stainless Steel Lock Washers
- (4) - 1/4-20 Hex Stainless Steel Nuts
- (4) - 1/4" Stainless Steel Flat Washers
- (1) - Bracket - L
- (1) - Bracket - R

Z365461-KIT4

- (4) - M8 x 12mm Hex Cap Screw
- (2) - M8 - 1.25 x 20 Stainless Steel Hex Bolt
- (6) - M8 Stainless Steel Nuts
- (6) - M8 Stainless Steel Lock Washers
- (4) - 5/16-18x1/2 Hex Cap Screws
- (4) - 1/4-20 Hex Stainless Steel Nuts
- (4) - 1/4" Stainless Steel Flat Washers
- (2) - Dual Light Bracket Adapter
- (1) - Bracket - L & (1) - Bracket - R

TOOLS REQUIRED

- Various Socket Set
- Various Wrenches
- Ratchet Tool
- Ratchet Extensions

INSTALLATION GUIDE

START HERE

PLEASE READ AND UNDERSTAND ALL INSTRUCTIONS BEFORE INSTALLATION. Auto makers offer varied models to each vehicle and occasionally manufacture more than one body style of the same model.

* APPLICATION MODELS VARY. WE RECOMMEND TO VERIFY FITMENT BEFORE BEGINNING INSTALLATION PROCESS.
* IMAGES FEATURED IN THE INSTRUCTION DOCUMENTS MAY NOT ALWAYS EXACTLY MATCH YOUR MODEL OR PART.

BEFORE YOU BEGIN

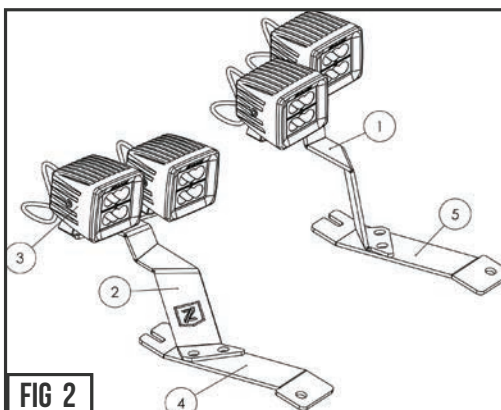
START HERE: Turn off engine, chalk tires with stop block, open the hood and disconnect the battery.

LED LIGHT BRACKET INSTALLATION



1) The included brackets to not attach directly to the hood, they are installed onto the inner fender panel and extend behind the hood cowl. Once installed they will remain fixed to the inner fender panel, separate from the hood itself.

FIG 1



ITEM NO.	DESCRIPTION	QTY.
1	BRACKET-L	1
2	BRACKET-R	1
3	3" SQUARE LED CUBE	4
4	BOTTOM BRACKET RH	1
5	BOTTOM BRACKET LH	1

NOTE: QTY. OF LIGHT CUBE MAY VARY DEPENDING ON YOUR ORDER PREFERENCE



ZROADZ

DYNAMIC LED MOUNTING SOLUTIONS

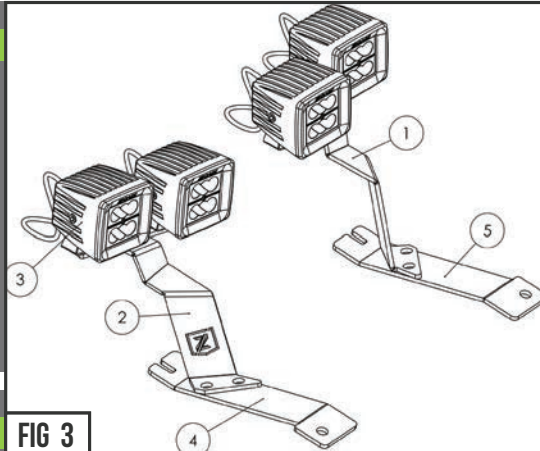
LED LIGHT BRACKET INSTALLATION - CONTINUED

PARTS ARE PATENT PENDING. ALL RIGHTS RESERVED - COPYRIGHT ©2016 - ZROADZ LED, INC.

STEP 2

SEE FIGURE 3

2) To begin the installation access the (2) oem bolts located below the hood hinge on the floor of the inner fender panel. Remove the (2) bolts to install the base plate bracket noted on installation diagram as (bottom bracket rh and rh and lh item #4 and #5). Note right and left sides as shown.



ITEM NO.	DESCRIPTION	QTY.
1	BRACKET-L	1
2	BRACKET-R	1
3	3" SQUARE LED CUBE	4
4	BOTTOM BRACKET RH	1
5	BOTTOM BRACKET LH	1

NOTE: QTY. OF LIGHT CUBE MAY VARY DEPENDING ON YOUR ORDER PREFERENCE

STEPS 3 & 4

SEE FIGURES 3&4

FIG 3

3) Install (bracket-R and bracket-L noted on installation diagram as #1 and #2) to bottom bracket using supplied washers and hardware. Check alignment with the hood, make sure hood opens and closes without interference. Tighten and secure oem and supplied fasteners. For Now, Hand tighten mounting bolts.

4) Install 3" Light Pods to brackets as shown on installation diagram. Look over your work carefully, inspect for hood clearances and all obstructions are clear or tucked out of the way. Check all fasteners and tighten hardware.



FIG 4

FINISHED EXAMPLES



FIG 5

STEP 5

SEE FIGURE 5

5) Wire LED Light with a ZROADZ optional wiring harness kit (part# Z390020S-A) or by utilizing a compatible custom wiring harness. ZROADZ recommends LED Lights be wired with ZROADZ harness kit (part# Z390020S-A).

STEP 6 ADJUSTMENT TIPS

6) To adjust the angle of your Light Bar, rotate the LED(s) to adjust the angles till your desired light pattern is reached. You may than tighten the hardware and also mounting bracket to hood and secure everything into place. Note your tape marker under hood to check for proper alignment. Be careful not to over tighten the mounting hardware.

It is best to adjust the angle with the vehicle on level ground with lights facing a wall, garage door or other solid barrier. We recommend checking from a distance of 25'. Your installation is now completed.



FIG 6

LED LIGHT BRACKET INSTALLATION - PROCESS COMPLETE



FIG 7