



ZROADZ

DYNAMIC LED MOUNTING SOLUTIONS



PROFESSIONAL INSTALL RECOMMENDED

2018 JEEP WRANGLER JL

PART#: Z364931 / Z364931-KIT

HOOD COWL LED LIGHT MOUNTS

PARTS INCLUDED

- (1) Driver Side Mounting Bracket
- (1) Passenger Side. Mounting Bracket

LED LIGHTS INCLUDED

- Z364931 - No LED Lights Included
- Z364931-KIT - (1) 30" LED Light Bar

HARDWARE INCLUDED

- (2) - 1/4" Black Flat Washers
- (2) - 1/4" Nylon Lock Nuts
- (4) - .10-32 x 1/2" Button Head Allen Screws
- (4) - .10-32 x Nylon Nuts
- (1) - Double Terminal Power Cable Wiring Harness

TOOLS REQUIRED

- Air Hose & Nozzle
- Alcohol Cleaning Solution
- Cleaning Rag
- Socket Set & Ratchet Tool
- Ratchet Extensions
- Various Wrenches
- Dikes or Snips
- Torq Bit Set
- Heat Gun

INSTALLATION GUIDE

START HERE

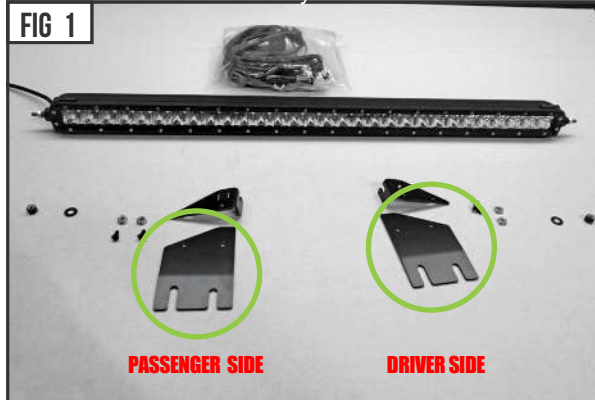
PLEASE READ AND UNDERSTAND ALL INSTRUCTIONS BEFORE INSTALLATION. Auto makers offer varied models to each vehicle and occasionally manufacture more than one body style of the same model.

* APPLICATION MODELS VARY. WE RECOMMEND TO VERIFY FITMENT BEFORE BEGINNING INSTALLATION PROCESS.
* IMAGES FEATURED IN THE INSTRUCTION DOCUMENTS MAY NOT ALWAYS EXACTLY MATCH YOUR MODEL OR PART.

BEFORE YOU BEGIN

START HERE: Turn off engine, chalk tires with stop block, open the hood and disconnect the battery.

FIG 1



LED LIGHT BRACKET INSTALLATION

STEP 1

1) Layout and organize all the provided parts.

PRO TIP:

APPLY A PROTECTIVE LAYER OF 3M MASKING TAPE AROUND THE APPLICATION AREA.

STEP 2

2) Remove the Vehicle's Windshield Wiper Blades as seen in Figure #2.

SEE FIGURE 2



FIG 2



LED LIGHT BRACKET INSTALLATION - CONTINUED



STEP 3

SEE FIGURES 3 & 4

3) With the windshield Wiper Blades removed, you should now be able to remove the Vehicle's Windshield Wiper Cowl Cover Panel.

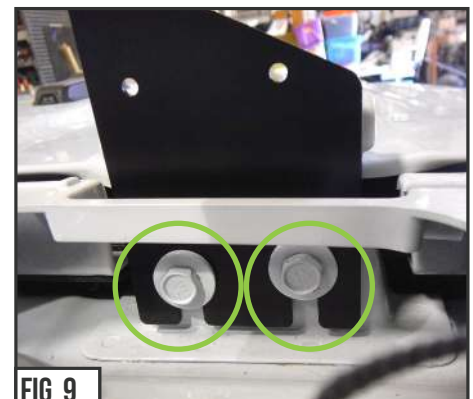
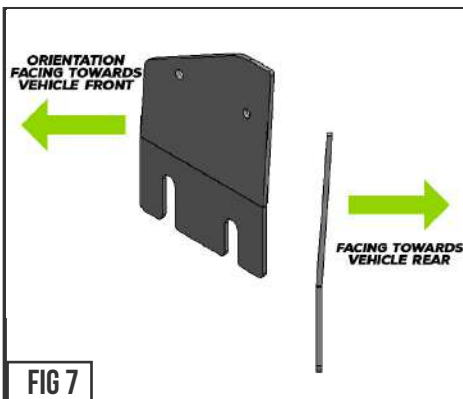
Use a prying tool to lift and release the catch tabs and latches.



STEP 4 4) Loosen and back out the Vehicle's Hood Hinge Hex Bolts highlighted in Figure #9.

SEE FIGURE 9

STEP 5 5) **IMPORTANT INSTALLERS NOTE:** Make sure to put the ZROADZ Bracket into position with the "bracket bend" pointing towards the rear of the vehicle as seen in Figure #7. This is required so the bracket does not interfere or make contact with the Jeep Hood Hinge.



STEP 6

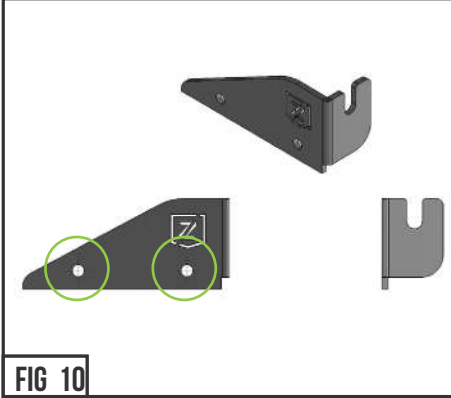
SEE FIGURES 7 - 9

6) Put into place the ZROADZ Main Base Mounting Bracket so that the mounting slots slip into position as seen in Figures #7 - #9. Fit them in tight and straight and then tighten securely.

LED LIGHT BRACKET INSTALLATION - CONTINUED



LED LIGHT BRACKET INSTALLATION - CONTINUED



STEP 7

SEE FIGURES 10-13

7) Put into position the ZROADZ LED Light Bar Mounting Bracket so that the pre-determined mounting holes align with the ZROADZ Main Base Mounting Brackets.

Use the provided 10-32 x 1/2" Button Head Allen Screws and 10-32 Nylon Nuts to secure in place. They can only fit one way with Z Logo Facing out.



STEP 8

8) Repeat Steps 4 - 7 and repeat for opposite side ZROADZ Mounts if you have not some so all ready.



STEP 9

SEE FIGURES 14 - 16

9) Put into place the 30" LED Light Bar so that it sits properly in the new ZROADZ Hood Cowl LED Bracket's mounting cradle. Tighten down LED Light Bar till secured.

LED LIGHT BRACKET INSTALLATION - CONTINUED



ZROADZ

DYNAMIC LED MOUNTING SOLUTIONS

LED LIGHT BRACKET INSTALLATION - CONTINUED

STEP 10

SEE FIGURES 10 & 11

10) Put back into place the Vehicle's Windshield Wiper Cowl Cover Panel.

It should tuck into position and slip tightly under the LED Light Bar and clear the ZROADZ Mounting Brackets.

11) Re-install Vehicle's Windshield Wiper Blades.



STEP 12

12) Go over and tighten all hardware. Secure all LED Light Power Wires and connect harness.

ZROADZ recommends LED Lights be wired with ZROADZ harness kit (part# Z390020S-A) or by utilizing a compatible custom wiring harness. Wiring must be installed by competent & knowledgeable automotive electrician. Connect Harness to the battery and secure the cables.

FINISHED INTALL EXAMPLES



STEP 13

ADJUSTMENT TIPS

14) To adjust the angle of your Light Bar, rotate the LED(s) to adjust the angles till your desired light pattern is reached. You may than tighten the hardware and secure everything into place. Be careful not to over tighten the mounting hardware.

It is best to adjust the angle with the vehicle on level ground with lights facing a wall, garage door or other solid barrier. We recommend checking from a distance of 25'. Your installation is now completed.



LED LIGHT BRACKET INSTALLATION - PROCESS COMPLETE





LED LIGHT BRACKET INSTALLATION - CONTINUED

STEP 9

SEE FIGURES 10 & 11

9) ZROADZ recommends LED Lights be wired with ZROADZ harness kit (part# Z390020S-A) or by utilizing a compatible custom wiring harness. Wiring must be installed by competent & knowledgeable automotive electrician.

Connect Harness to the battery and secure the cables.

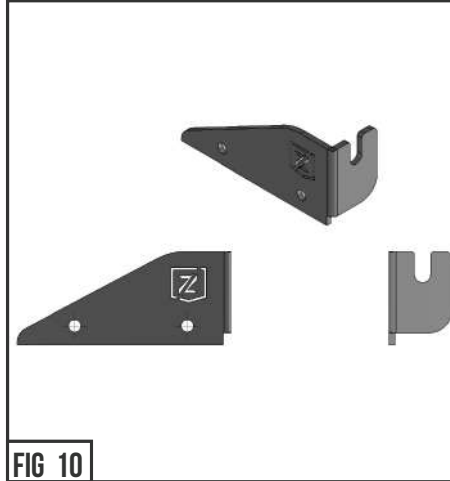


FIG 10

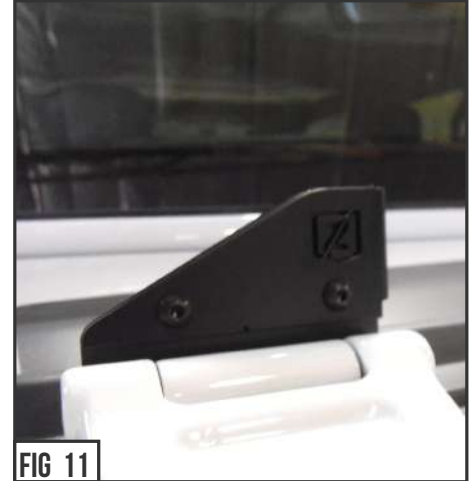


FIG 11

STEP 10

10) Go over and tighten all hardware. Secure all LED Light Power Wires and connect harness.

FINISHED INTALL EXAMPLES



FIG 17

STEP 11

ADJUSTMENT TIPS

11) To adjust the angle of your Light Bar, rotate the LED(s) to adjust the angles till your desired light pattern is reached. There will be minimal adjustment due to curved light bar orientation. You may than tighten the hardware and secure everything into place. Be careful not to over tighten the mounting hardware.

It is best to adjust the angle with the vehicle on level ground with lights facing a wall, garage door or other solid barrier. We recommend checking from a distance of 25'. Your installation is now completed.



FIG 18



FIG 19

LED LIGHT BRACKET INSTALLATION - PROCESS COMPLETE



ZROADZ

DYNAMIC LED MOUNTING SOLUTIONS

PRODUCT CARE INFORMATION

PRODUCT CARE INFORMATION

Wash regularly as you would when caring for your vehicles. Never use dish soap. Never leave wet water spots as that may leave a blemish.

MATTE BLACK FINISH

Paint warranty applies to defects in material and / or workmanship, it does not cover the matte finish surface appearance.

To enjoy the matte appearance for many years to come, please follow these owner care and maintenance tips.

Get a no-shine matte car wash soap that uses no fillers, no silicone, and won't strip your matte paint of its layer of protection.

Do not use wax, detail spray, armorall®, or any products made for normal paint. Use only products specifically developed for matte finish paint. Do not use products that are even mildly abrasive, such as polishes, glazes, or rubbing compounds. Do not use mechanical cleaners or polishers. Do not use terrycloth, cloth, or paper towels. Do not rub the finish vigorously, this will burnish the paint finish, causing a permanent shiny spot. Shiny spots cannot be removed.

Do not use commercial car wash facilities or their shine enhancement products. Most car wash brushes, large mechanized "towels," and shine enhancement products can damage matte paint.

Remove foreign substances such as insect remains, tar, and road debris using a soft applicator and a mild solvent; saturate and soak area before cleaning—rub lightly.

Hand-wash with a soft wash mitt and mild cleaning product safe for matte paint. Use microfiber cleaning cloths with alcohol-based window cleaner for basic surface clean-up.

GLOSS BLACK FINISH

ZROADZ with Gloss Black Powder Coated Finish may be washed regularly as you would when caring for your vehicles finish using soap and water. ZROADZ should be waxed at the same time that you wax the vehicle. As a general rule, anything you use to clean your vehicles painted surfaces can be used to clean and maintain your ZROADZ grille. A Gloss powder Coated Finish can be cared for in the same fashion that you would care for your vehicles factory paint job. Never leave wet water spots as that may leave a blemish.