



ZROADZ

DYNAMIC LED MOUNTING SOLUTIONS



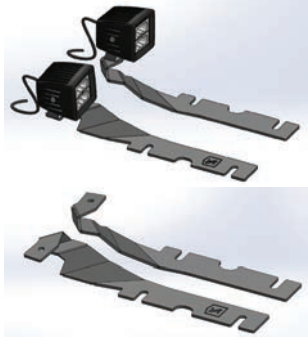
2009-2015 DODGE RAM 1500

Z364521 / Z364521-KIT2 / Z364521-KIT4
HOOD HINGE / A-PILLAR LED LIGHT MOUNTS

PARTS ARE PATENT PENDING. ALL RIGHTS RESERVED - COPYRIGHT ©2016 - ZROADZ LED, INC.

PARTS INCLUDED

- (1) Driver Light Mount Bracket
- (1) Passenger Light Mount Bracket



Kit -
w/ (2) 6" LED
Light Bars

Mounting
Brackets Only

* Simulated Rendering, NOT Actual Parts.

LED LIGHTS INCLUDED

- Z364521** - No LED Lights Included
Z364521-KIT2 - (2) ZROADZ 3" LED Light Pods
Z364521-KIT4 - (4) ZROADZ 3" LED Light Pods
 * LED Lights include a separate hardware kit.

HARDWARE INCLUDED

* APPLIES TO KIT PACKAGES ONLY

- | | |
|---|---|
| Z364521-KIT2 | Z364521-KIT4 |
| (2) - M8 - 1.25 x 20 Stainless Steel Hex Bolt | (4) - M8 x 12mm Hex Cap Screw |
| (2) - M8 Stainless Steel Nuts | (2) - M8 - 1.25 x 20 Stainless Steel Hex Bolt |
| (2) - M8 Stainless Steel Lock Washers | (6) - M8 Stainless Steel Nuts |
| (1) - Bracket - L | (6) - M8 Stainless Steel Lock Washers |
| (1) - Bracket - R | (2) - Dual Light Bracket Adapter |
| | (1) - Bracket - L |
| | (1) - Bracket - R |

TOOLS REQUIRED

- Various Socket Set
- Various Wrenches
- Ratchet Tool
- Ratchet Extensions

INSTALLATION GUIDE

START HERE

PLEASE READ AND UNDERSTAND ALL INSTRUCTIONS BEFORE INSTALLATION. Auto makers offer varied models to each vehicle and occasionally manufacture more than one body style of the same model.

* APPLICATION MODELS VARY. WE RECOMMEND TO VERIFY FITMENT BEFORE BEGINNING INSTALLATION PROCESS.
 * IMAGES FEATURED IN THE INSTRUCTION DOCUMENTS MAY NOT ALWAYS EXACTLY MATCH YOUR MODEL OR PART.

BEFORE YOU BEGIN

START HERE: Turn off engine, chalk tires with stop block, open the hood and disconnect the battery.

LED LIGHT BRACKET INSTALLATION

- STEP 1** 1) Begin by marking the relation between the hinge and hood. Use a piece of tape so you can ensure proper hood alignment when installation is complete.



MOVE ONTO
STEP 2

STEP 2

2) Loosen the two bolts securing the hood hinge to the under belly of hood.

Do not remove hardware. Only back out threads a few turns.

SEE FIGURE 2





ZROADZ

DYNAMIC LED MOUNTING SOLUTIONS

LED LIGHT BRACKET INSTALLATION - CONTINUED

PARTS ARE PATENT PENDING. ALL RIGHTS RESERVED - COPYRIGHT ©2016 - ZROADZ LED, INC.



FIG 3

STEP 3

SEE FIGURE 3

3) Secure bracket to hood hinge with factory bolts by sliding LED Mounts into place. Make sure the brackets are on the bottom side of hinge and NOT inbetween hinge and hood. Repeat on opposite side of vehicle.



FIG 4

STEP 4

SEE FIGURE 4

4) Mount LED Lights onto each of the brackets. For Now, Hand tighten mounting bolts.

PRO TIP

You may consider mounting Light Pod onto bracket first, and then slide into position from cab side.



FIG 5

STEP 5

SEE FIGURE 5

Wire LED Light with a ZROADZ optional wiring harness kit (part# Z390020S-A) or by utilizing a compatible custom wiring harness. ZROADZ recommends LED Lights be wired with ZROADZ harness kit (part# Z390020S-A).

STEP 6

ADJUSTMENT TIPS

6) To adjust the angle of your Light Bar, rotate the LED(s) to adjust the angles till your desired light pattern is reached. You may than tighten the hardware and also mounting bracket to hood and secure everything into place. Note your tape marker under hood to check for proper alignment. Be careful not to over tighten the mounting hardware.

It is best to adjust the angle with the vehicle on level ground with lights facing a wall, garage door or other solid barrier. We recommend checking from a distance of 25'. Your installation is now completed.

FINISHED EXAMPLES



FIG 6



FIG 7



FIG 8

LED LIGHT BRACKET INSTALLATION - PROCESS COMPLETE