



ZROADZ

DYNAMIC LED MOUNTING SOLUTIONS



2018-2019 FORD F-150

Z325711-KIT

FRONT BUMPER LED LIGHT MOUNTS

PARTS ARE PATENT PENDING. ALL RIGHTS RESERVED - COPYRIGHT ©2016 - ZROADZ LED, INC.

PARTS INCLUDED

- (1) Driver Side Light Mount Bracket
- (1) Passenger Side Light Mount Bracket

LED LIGHTS INCLUDED

Z325711-KIT - (2) 3" ZROADZ LED Light Pods

HARDWARE INCLUDED

Z325711-KIT

- (4) - M6 x 25mm Hex Bolts
- (4) - #10 9/16" Washers
- (4) - M6 Stainless Steel Hex Nuts
- (4) - #10-32 Nylon Nuts
- (4) - "L Brackets"
- (1) - Double Terminal Wiring Harness

TOOLS REQUIRED

- Small Punch
- Various Socket Set
- Various Wrenches
- Ratchet Tool
- Ratchet Extensions

INSTALLATION GUIDE

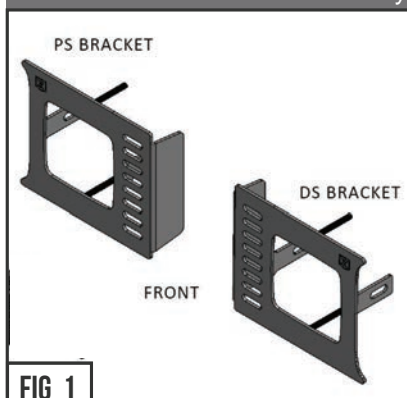
START HERE

PLEASE READ AND UNDERSTAND ALL INSTRUCTIONS BEFORE INSTALLATION. Auto makers offer varied models to each vehicle and occasionally manufacture more than one body style of the same model.

* APPLICATION MODELS VARY. WE RECOMMEND TO VERIFY FITMENT BEFORE BEGINNING INSTALLATION PROCESS.
* IMAGES FEATURED IN THE INSTRUCTION DOCUMENTS MAY NOT ALWAYS EXACTLY MATCH YOUR MODEL OR PART.

BEFORE YOU BEGIN

START HERE: Turn off engine, chalk tires with stop block, open the hood and disconnect the battery.



LED LIGHT BRACKET INSTALLATION

1) Begin by taking the ZROADZ Brackets and note where the ZROADZ Bracket mounting configuration, brackets, & hardware.

There is a DS Bracket & PS Bracket and are indicated upright by the shape of the ZROADZ Logo.

STEP 2

SEE FIGURES 2 - 5

2) Remove License Plate Frame, and License Plate, and License Backing Plate Mount.



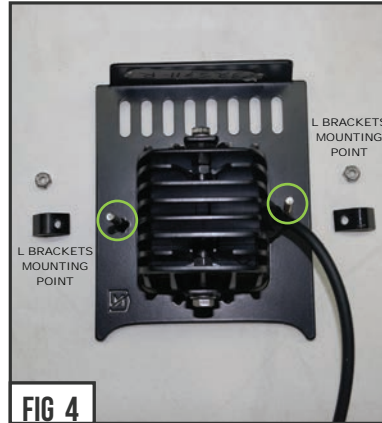


ZROADZ

DYNAMIC LED MOUNTING SOLUTIONS

LED LIGHT BRACKET INSTALLATION - CONTINUED

PARTS ARE PATENT PENDING. ALL RIGHTS RESERVED - COPYRIGHT ©2016 - ZROADZ LED, INC.



STEP 3

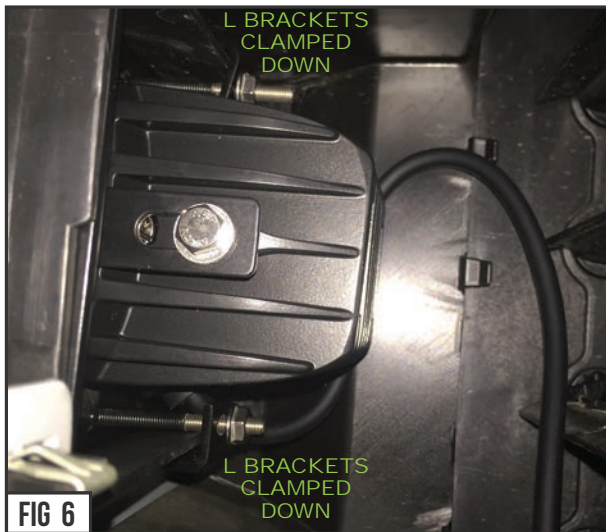
SEE FIGURES 3 - 5

3) With the front license plate removed, mock up and put your ZROADZ Mounting Brackets into position. It mounts inside the lower bumper opening and has a matching contours that fits DS / PS edge.

STEP 4

SEE FIGURE 6

4) With bracket mounts mocked up into position, from inside the bumper, and using the provided hardware, slip the L Bracket & Ny-Lock Nut onto the pre-determined mounting stud so it clamps itself to the bumper opening.



INSTALL



STEP 6

6) It is now time to inspect your work. Carefully look over everything and check hardware tightness. Once satisfied, tighten everything up. Be careful not to over tighten hardware.

STEP 7 ADJUSTMENT TIPS

7) To adjust the angle of your Light Bar, rotate the LED(s) to adjust the angles till your desired light pattern is reached. It is best to adjust the angle with the vehicle on level ground with lights facing a wall, garage door or other solid barrier. We recommend checking from a distance of 25'. Your installation is now completed.

LED LIGHT BRACKET INSTALLATION - COMPLETE