



ZROADZ

DYNAMIC LED MOUNTING SOLUTIONS



2017 FORD RAPTOR

Z325662 / Z325662-KIT FRONT BUMPER LED LIGHT MOUNTS

PARTS ARE PATENT PENDING. ALL RIGHTS RESERVED - COPYRIGHT ©2016 - ZROADZ LED, INC.

PARTS INCLUDED

- (1) Driver Side Light Mount Bracket
- (1) Passenger Side Light Mount Bracket

LED LIGHTS INCLUDED

Z325662 - No LED Light Included

Z325662-KIT - (1) 40" ZROADZ LED Light Bar

HARDWARE INCLUDED

Z325662

- (1) - Right Side LED Bumper Mount
- (1) - Left Side LED Bumper Mount

Z325662-KIT

- (1) - Right Side LED Bumper Mount
- (1) - Left Side LED Bumper Mount
- (1) - Torx Bit T-40
- (2) - M8 Tamper Proof Button Head Allen Cap
- Stainless Steel Bolts
- (2) - 5/16" Flat Washers Black

INSTALLATION GUIDE

START HERE

PLEASE READ AND UNDERSTAND ALL INSTRUCTIONS BEFORE INSTALLATION. Auto makers offer varied models to each vehicle and occasionally manufacture more than one body style of the same model.

* APPLICATION MODELS VARY. WE RECOMMEND TO VERIFY FITMENT BEFORE BEGINNING INSTALLATION PROCESS.
* IMAGES FEATURED IN THE INSTRUCTION DOCUMENTS MAY NOT ALWAYS EXACTLY MATCH YOUR MODEL OR PART.

BEFORE YOU BEGIN

START HERE: Turn off engine, chalk tires with stop block, open the hood and disconnect the battery.

LED LIGHT BRACKET INSTALLATION

1) Lay out the ZROADZ Front Bumper Mounting Brackets and the 40" LED Light Bar. Note the mounting slots and how they will be placed on the backside of front bumper and the logo ear plates with LED mounting holes are on the outside of mounts.

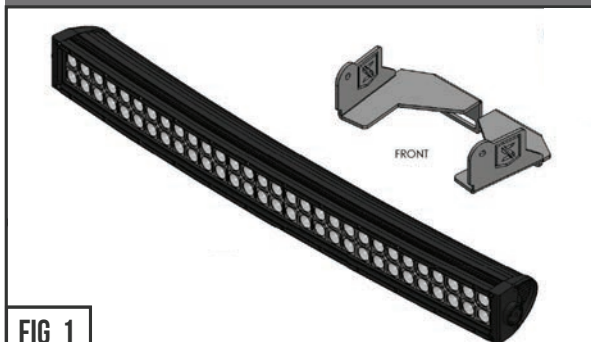


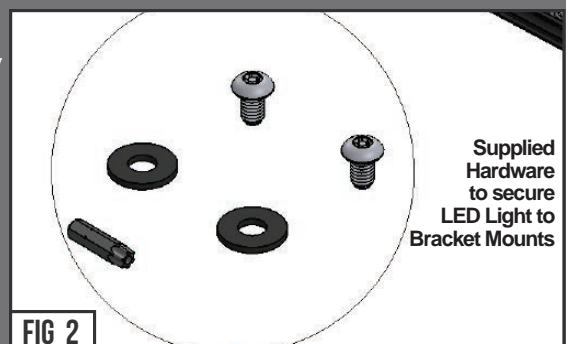
FIG 1

STEP 2

Consider removing the factory grille temporarily up and out of the way.

2) Remove the factory bumper bolts from the backside of the bumper and take the bolt and prepare to mock up the LED Mounting Bracket.

SEE FIGURE 3 - 6



Supplied Hardware to secure LED Light to Bracket Mounts

FIG 2

TOOLS REQUIRED

- Various Socket Set
- Various Wrenches
- Ratchet Tool
- Ratchet Extensions



ZROADZ

DYNAMIC LED MOUNTING SOLUTIONS

LED LIGHT BRACKET INSTALLATION - CONTINUED

PARTS ARE PATENT PENDING. ALL RIGHTS RESERVED - COPYRIGHT ©2016 - ZROADZ LED, INC.



FIG 3



FIG 4



FIG 5

STEP 3

SEE FIGURES 6 - 7

3) With your bracket mounts loosely mocked into position, from inside the bumper, thread the bolts back into place from the original position.

STEP 4

4) Put your LED Light Bar and mount it to the ZROADZ Mounting Brackets and position and using the provided hardware, loosely bolt to the bumper.



FIG 6



FIG 7

STEP 5

SEE FIGURES 9 - 10

5) Carefully center the brackets off of a shared vehicle feature and mirror each side precisely. A tape measure or some other kind of incremental instrument will help get it just right.

CLOSE UP



FIG 9



FIG 10

STEP 6

SEE FIGURES 7 - 9

6) It is now time to inspect your work. Carefully look over everything and check hardware tightness. Once satisfied, tighten everything up. Be careful not to over tighten hardware.

STEP 7

ADJUSTMENT TIPS

7) To adjust the angle of your Light Bar, rotate the LED(s) to adjust the angles till your desired light pattern is reached. It is best to adjust the angle with the vehicle on level ground with lights facing a wall, garage door or other solid barrier. We recommend checking from a distance of 25'. Your installation is now completed.



FIG 11

LED LIGHT BRACKET INSTALLATION - COMPLETE