



ZROADZ

DYNAMIC LED MOUNTING SOLUTIONS



2017 FORD F-250 / F-350 / SUPER DUTY

Z325471-KIT FRONT BUMPER LED LIGHT MOUNTS

PARTS ARE PATENT PENDING. ALL RIGHTS RESERVED - COPYRIGHT ©2016 - ZROADZ LED, INC.

PARTS INCLUDED

- (1) Driver Side Light Mount Bracket
- (1) Passenger Side Light Mount Bracket

LED LIGHTS INCLUDED

Z325471-KIT - (1) 12" ZROADZ LED Light Bar

HARDWARE INCLUDED

Z325471-KIT

- (1) - LED Bumper Mount
- (4) - 5/16" Black Flat Washers
- (2) - M8 Split Lock Washers
- (2) - M8 Hex Stainless Nuts
- (1) - Torx Bit T-40
- (2) - M8 Tamper Proof Button Head Allen Cap
- Stainless Steel Bolts

TOOLS REQUIRED

- Small Punch
- Various Socket Set
- Various Wrenches
- Ratchet Tool
- Ratchet Extensions

INSTALLATION GUIDE

START HERE

PLEASE READ AND UNDERSTAND ALL INSTRUCTIONS BEFORE INSTALLATION. Auto makers offer varied models to each vehicle and occasionally manufacture more than one body style of the same model.

* APPLICATION MODELS VARY. WE RECOMMEND TO VERIFY FITMENT BEFORE BEGINNING INSTALLATION PROCESS.
* IMAGES FEATURED IN THE INSTRUCTION DOCUMENTS MAY NOT ALWAYS EXACTLY MATCH YOUR MODEL OR PART.

BEFORE YOU BEGIN

START HERE: Turn off engine, chalk tires with stop block, open the hood and disconnect the battery.

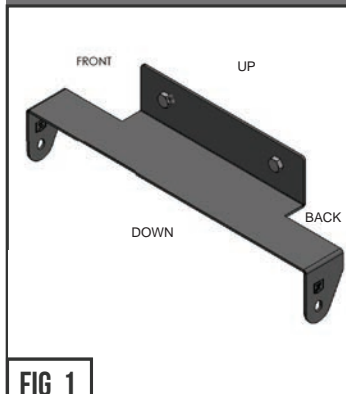


FIG 1

LED LIGHT BRACKET INSTALLATION

1) Begin by taking the ZROADZ Brackets and note where the ZROADZ Bracket mounting slots are located and that they will mount on the backside of front bumper.

The LED Light Mounting tabs will protrude forward within the lower bumper opening.

STEP 2

2) Remove License Plate Frame, and License Plate, and License Backing Plate Mount.

SEE FIGURES 2 - 5



FIG 2



ZROADZ

DYNAMIC LED MOUNTING SOLUTIONS

LED LIGHT BRACKET INSTALLATION - CONTINUED

PARTS ARE PATENT PENDING. ALL RIGHTS RESERVED - COPYRIGHT ©2016 - ZROADZ LED, INC.



STEP 3

SEE FIGURES 6 - 7

3) Mock up and put your ZROADZ Mounting Brackets into position. It mounts inside the middle bumper opening as seen in Fig #7.

STEP 4

SEE FIGURES 8 - 10

4) With your bracket mounts loosely mocked into position, from inside the bumper, and using the provided hardware, loosely bolt to the bumper and thread the hex nuts onto the bolts.



STEP 5

SEE FIGURES 6 - 8

5) Insert the 12" LED Light Bar to the ZROADZ Bracket Mounts using the M8 Tamper Proof Bolts, to fully secure the LED Light into position.

STEP 6

SEE FIGURES 7 - 9

6) It is now time to inspect your work. Carefully look over everything and check hardware tightness. Once satisfied, tighten everything up. Be careful not to over tighten hardware.

STEP 7 ADJUSTMENT TIPS

7) To adjust the angle of your Light Bar, rotate the LED(s) to adjust the angles till your desired light pattern is reached. It is best to adjust the angle with the vehicle on level ground with lights facing a wall, garage door or other solid barrier. We recommend checking from a distance of 25'. Your installation is now completed.

INSTALL



LED LIGHT BRACKET INSTALLATION - COMPLETE