



ZROADZ

DYNAMIC LED MOUNTING SOLUTIONS



2015-2016 GMC SIERRA 2500 / 3500

Z322111 / Z322111-KIT
FRONT BUMPER LED LIGHT MOUNTS

PARTS ARE PATENT PENDING. ALL RIGHTS RESERVED - COPYRIGHT ©2016 - ZROADZ LED, INC.

PARTS INCLUDED

- (1) Driver Side Light Mount Bumper Bracket
- (1) Passenger Side Light Mount Bumper Bracket

LED LIGHTS INCLUDED

* APPLIES TO KIT ONLY *

- (1) 12" ZROADZ LED Light Bar

HARDWARE INCLUDED

Z322111

- (1) - Right Side LED Bumper Mount
- (1) - Left Side LED Bumper Mount
- (2) - Rubber Spacer Pads
- (2) - 1/2-13 x 1" Hex Bolts
- (2) - 1/2-13 Stainless Hex Nuts
- (2) - 5/16 Flat Washer Black

Z322111-KIT

- (1) - Right Side LED Bumper Mount
- (1) - Left Side LED Bumper Mount
- (2) - Rubber Spacer Pads
- (2) - 1/2-13 x 1" Hex Bolts
- (2) - 1/2-13 Stainless Hex Nuts
- (2) - 5/16 Flat Washer Black
- (1) - Torx Bit T-40
- (2) - M8 Tamper Proof Button Head Allen Cap
- Stainless Steel Bolts
- (2) - 5/16" Flat Washers Black

INSTALLATION GUIDE

START HERE

PLEASE READ AND UNDERSTAND ALL INSTRUCTIONS BEFORE INSTALLATION. Auto makers offer varied models to each vehicle and occasionally manufacture more than one body style of the same model.

* APPLICATION MODELS VARY. WE RECOMMEND TO VERIFY FITMENT BEFORE BEGINNING INSTALLATION PROCESS.
* IMAGES FEATURED IN THE INSTRUCTION DOCUMENTS MAY NOT ALWAYS EXACTLY MATCH YOUR MODEL OR PART.

BEFORE YOU BEGIN

START HERE: Turn off engine, chalk tires with stop block, open the hood and disconnect the battery.

LED LIGHT BRACKET INSTALLATION

- STEP 1** 1) Open and unbox the ZROADZ package. Sort out all components and hardware pack.

Identify how the components will be assembled.

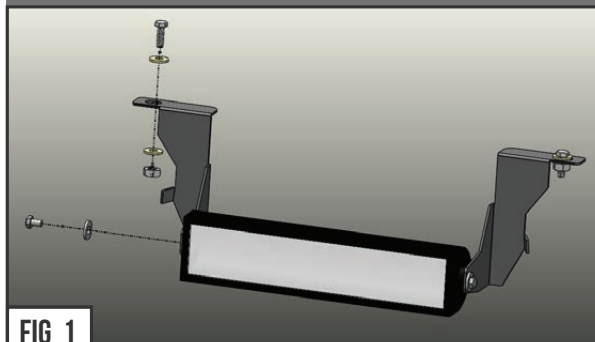


FIG 1

MOVE ONTO STEP 2

TOOLS REQUIRED

- Various Socket Set
- Various Wrenches
- Ratchet Tool
- Ratchet Extensions

STEP 2

2) Setup and mock into place the ZROADZ bumper brackets inside the vehicles lower bumper center opening to gain familiarity of how the bumper bracket will be positioned and mounted.

SEE FIGURE 2 - 4



FIG 2



ZROADZ

DYNAMIC LED MOUNTING SOLUTIONS

LED LIGHT BRACKET INSTALLATION - CONTINUED

PARTS ARE PATENT PENDING. ALL RIGHTS RESERVED - COPYRIGHT ©2016 - ZROADZ LED, INC.



FIG 15



FIG 16

STEP 11

SEE FIGURE 15 & 16

11) Measure once again that the ZROADZ Brackets are centered and from behind and underneath, finally tighten the ZROADZ mounts tight and secure.

STEP 12

SEE FIGURE 16 & 17

12) Using the TORX T-40 Anti Theft Bit and secure the LED Bar fairly snug.

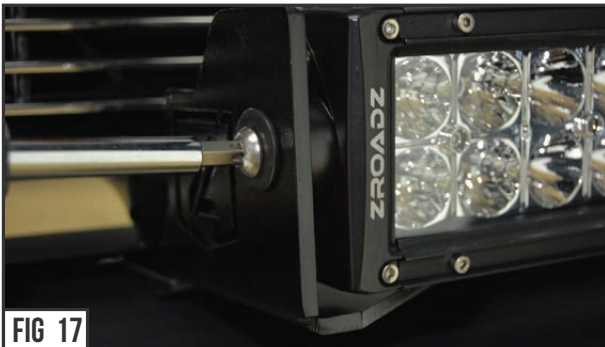


FIG 17

FINISHED EXAMPLES



FIG 18



FIG 19



FIG 20

STEP 13

INSPECT YOUR WORK

13) Carefully inspect your work, once you are satisfied with the look and placement of your LED Light Bar and brackets go ahead and tighten everything up.

STEP 14 ADJUSTMENT TIPS

14) To adjust the angle of your Light Bar, rotate the LED(s) to adjust the angles till your desired light pattern is reached. You may then tighten the hardware and also mounting bracket to hood and secure everything into place. Note your tape marker under hood to check for proper alignment. Be careful not to over tighten the mounting hardware.

It is best to adjust the angle with the vehicle on level ground with lights facing a wall, garage door or other solid barrier. We recommend checking from a distance of 25'. Your installation is now completed.

LED LIGHT BRACKET INSTALLATION - PROCESS COMPLETE