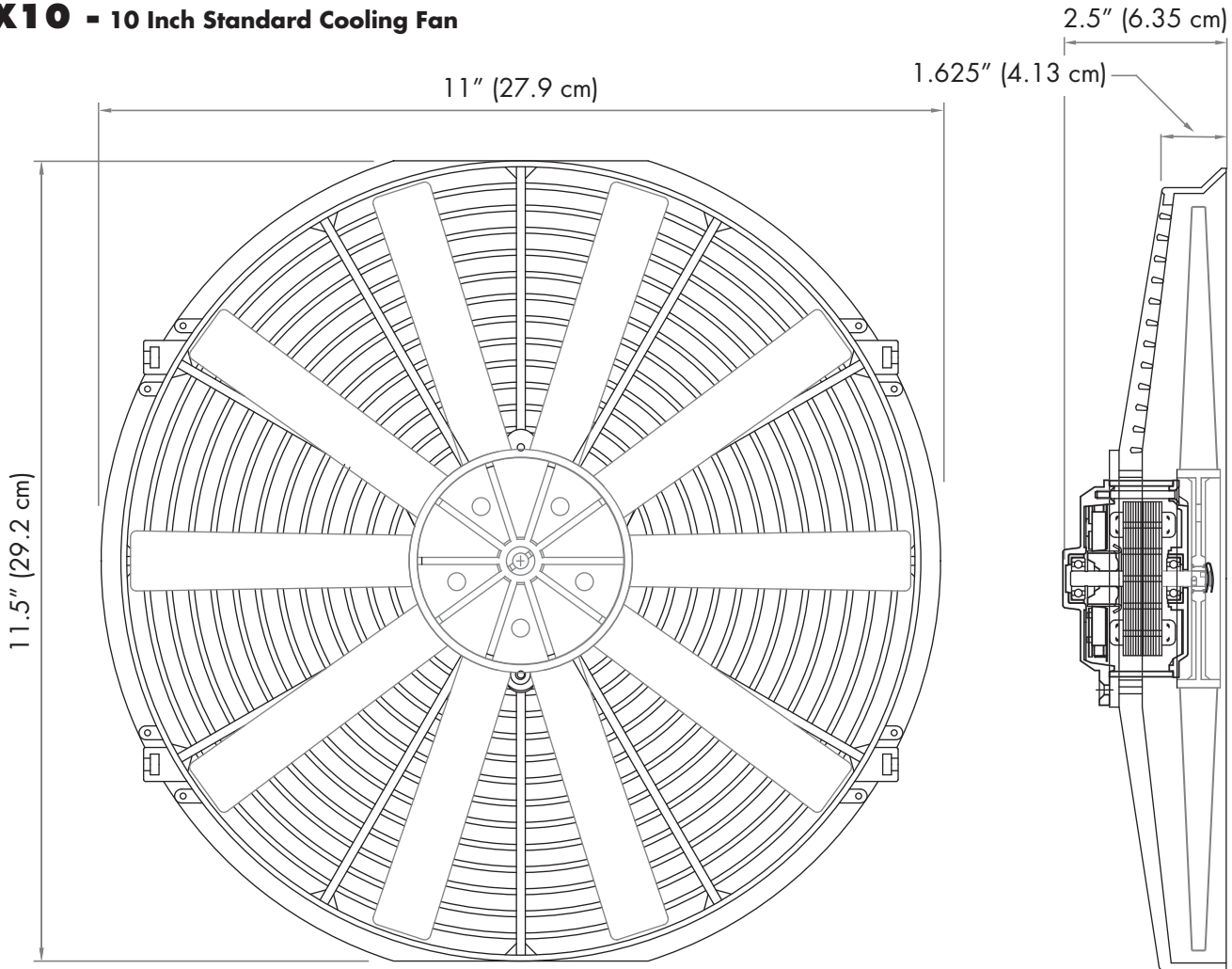


ELECTRIC COOLING FANS

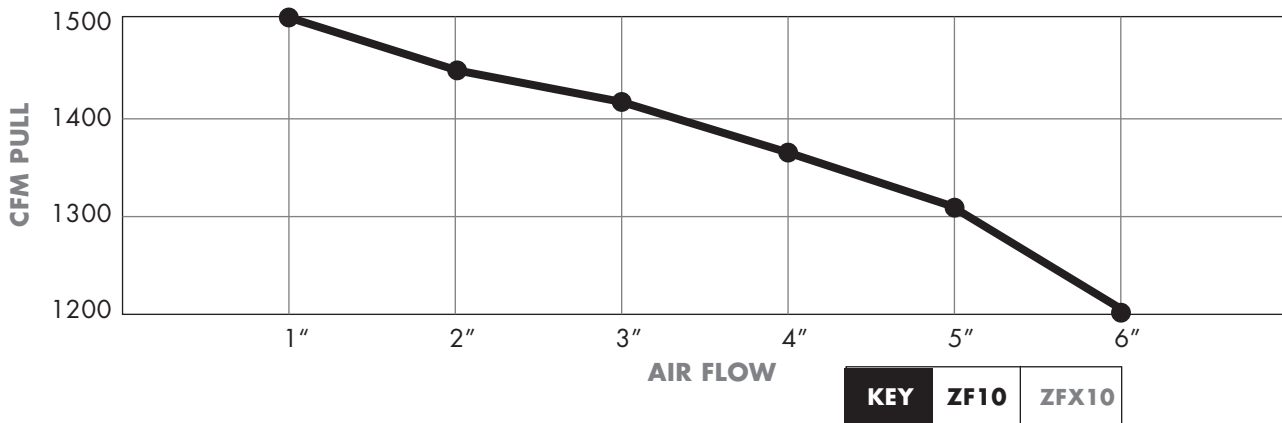
ZF10 - 10 Inch High Performance Cooling Fan

ZFX10 - 10 Inch Standard Cooling Fan



ZF10	12 Volts	7.0±0.5A	72W	45W Output
ZFX10	12 Volts	7.0±0.5A	72W	45W Output

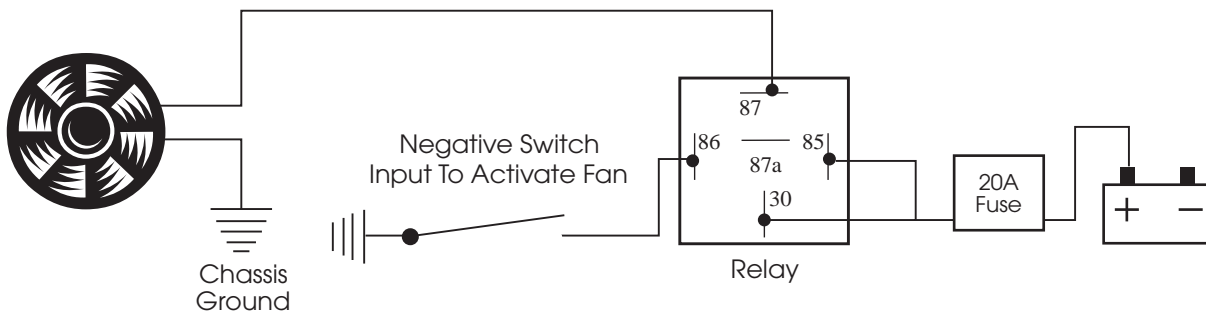
CFM SPECIFICATIONS



KEY	ZF10	ZFX10
------------	-------------	--------------

Fan Relay Wiring Diagram

All ZIRGO FANS



*Note: For optimal performance use 10 gauge OFC copper wire part #PW1050-RED & 40A Relay part #RELAY

*Note: Relay not included

***NOTE: Zirgo Fans Are Designed and Shipped As Pullers.**

CHANGE FAN INTO PUSHER

1. Place the Fan on a table with the motor side down.
2. Remove the metal retaining clip (or bolt depending on model) from the top side of the fan.
3. Remove the fan blade. (figure 1)
4. Flip the fan blade over and reinstall it on the motor shaft.
5. Reinstall the metal retainer clip. (figure 1)
6. Reverse the polarity of the motor. Switch the black and blue wires on the motor making the BLACK 12V "+" AND BLUE Chassis Ground "-".

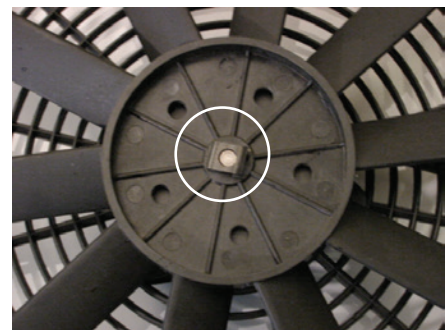


FIG. 1

PULLER WIRING

BLUE WIRE IS POSITIVE +
BLACK WIRE IS NEGATIVE -

PUSHER WIRING*

BLACK WIRE IS POSITIVE +
BLUE WIRE IS NEGATIVE -