

# ACCESSORY LOCK HOUSING



1 Accessory Lock Housing with Plug



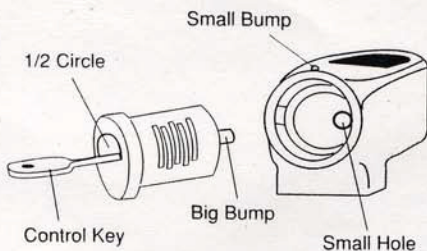
O-Ring



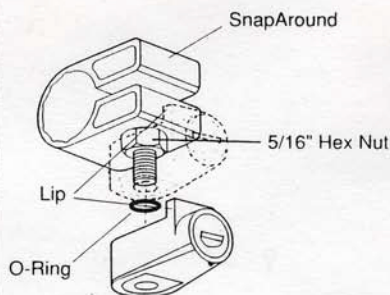
1 5/16" Hex Nut

## TO INSTALL YOUR SKS LOCK CORE...(PURCHASED SEPARATELY)

1. Remove the black Plug.
2. Insert the Control Key into the Lock Core (purchased separately).
3. With the Control Key still inserted, push the Core into the Accessory Lock Housing aligning the 1/2 circle on the face of the Core with the small bump on the outer rim of the Housing (see picture). The big bump on the Core fits into the small hole inside the Housing.
4. If you have trouble pushing the Core in all the way, use a pencil (or something like that) and rotate the hole 1/4 turn to the right of the small bump on the Housing until the core "sets" in all the way.
5. To remove the Core, the lock must be in the **unlocked** position. Use the Locking Key that came with the Cores for locking and unlocking.

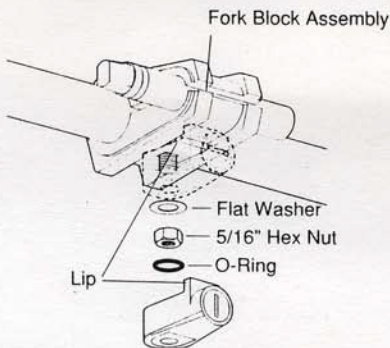


## TO INSTALL ON A SNAPAROUND OR HORIZONTAL MIGHTY MOUNT...



1. Remove the Hex Key and any washers.
2. Thread the 5/16" Hex Nut onto the SnapAround Bolt and tighten with a wrench. (When installing on a LockJaw or GT Bike Mount, you may need to flip the bolt so the bolt head is on the top.)
3. Place the O-Ring on the SnapAround Bolt. With the Accessory Lock in the **unlocked** position, screw it onto the SnapAround Bolt until the Accessory Lock hits the SnapAround. Then, rotate the Accessory Lock in the **opposite** direction until the Lip on the Lock is positioned over the square end of the SnapAround as shown.
4. With the Locking Key, "lock" the Accessory Lock. As you do, the fit between the Lock and the SnapAround will tighten so that the Accessory Lock cannot be rotated and the SnapAround and Yakima accessories cannot be removed from the crossbars. If you cannot lock the Accessory Lock completely, unlock the Lock, and rotate one more turn counterclockwise. Try to lock it again.

## TO INSTALL ON A FORK BLOCK...



1. Remove the Hex Key.
2. Install the Flat Washer (comes with bike mount) onto the Fork Block Bolt. Thread the 5/16" Hex Nut onto the bolt and tighten with a Qwik Wrench (comes with bike mount).
3. Place the O-Ring on the Fork Block Bolt. With the Accessory Lock in the **unlocked** position, screw it onto the Fork Block Bolt until the Accessory Lock hits the Fork Block. Then, rotate the Accessory Lock in the **opposite** direction until the Lip on the Lock is positioned with the locking end facing toward the Skewer end of the Fork Block Assembly.
4. With the Locking Key, "lock" the Accessory Lock. As you do, the fit between the Lock and the Fork Block will tighten so that the Accessory Lock cannot be rotated and the Fork Block and Yakima accessories cannot be removed from the crossbars. If you cannot lock the Accessory Lock completely, unlock the Lock, and rotate one more turn counterclockwise. Try to lock it again.