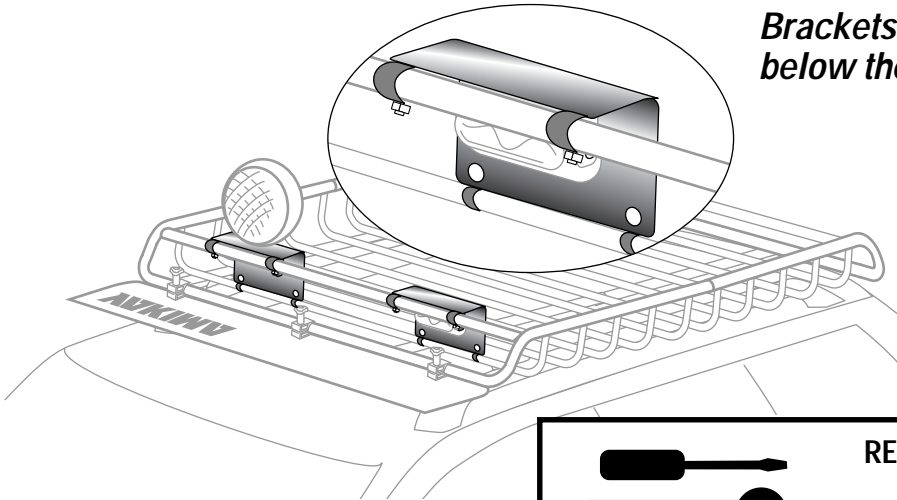


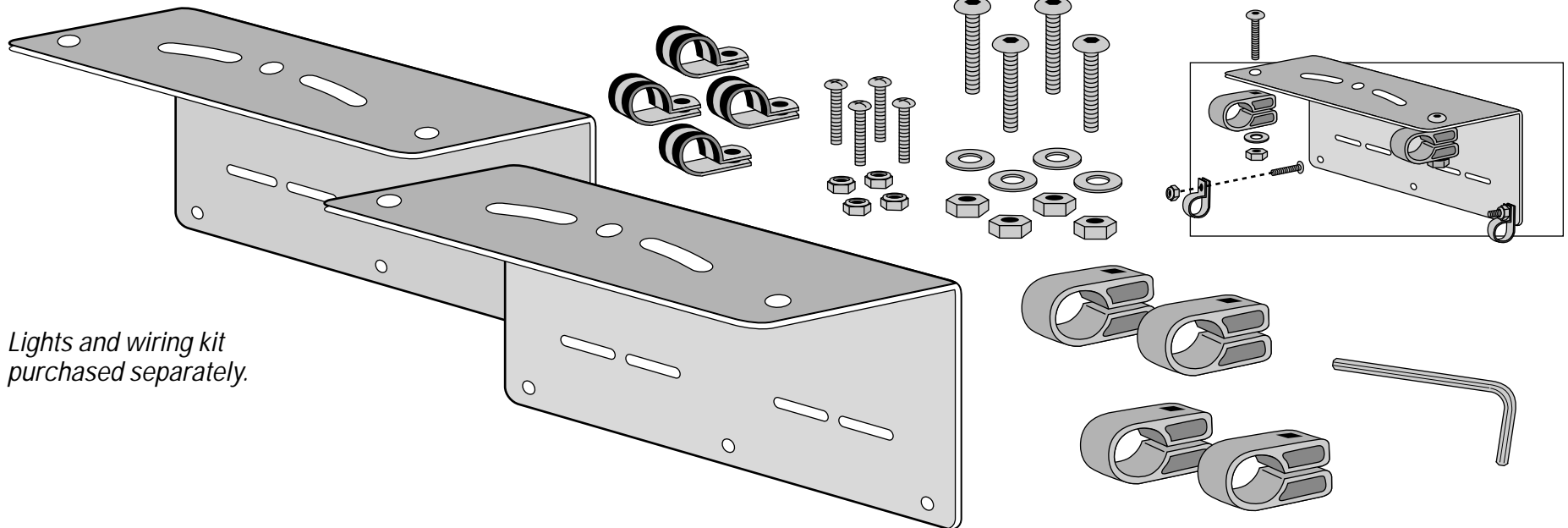
# YAKIMA

## LIGHT MOUNTING BRACKET

*Brackets accommodate two lights mounted above or below the crossbar, at the front or rear of the vehicle.*



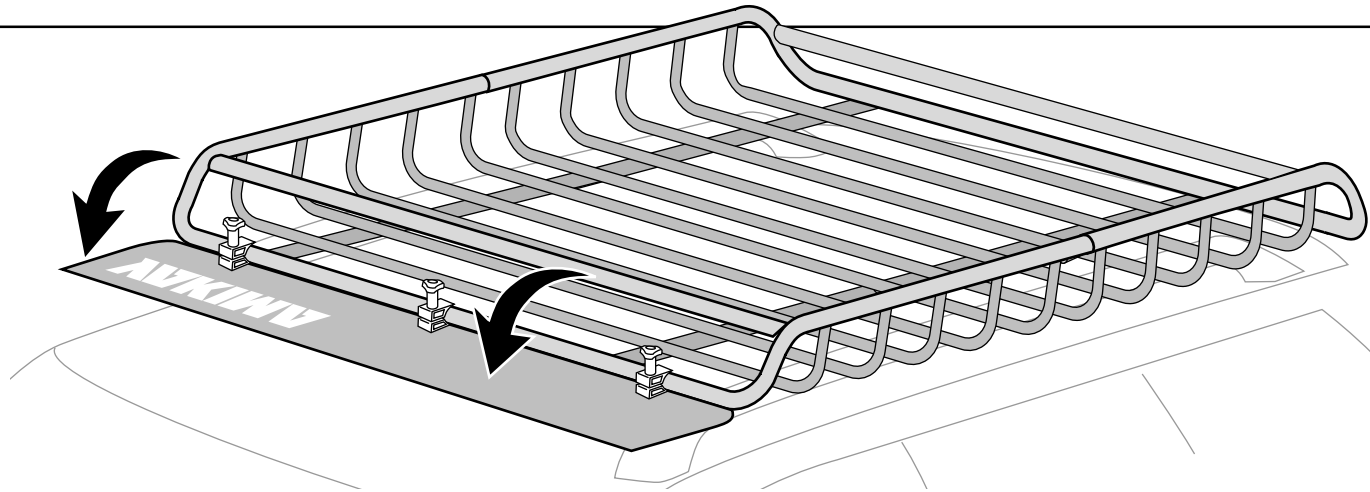
**RECOMMENDED TOOLS:** Screwdriver and adjustable wrench.



*Lights and wiring kit purchased separately.*

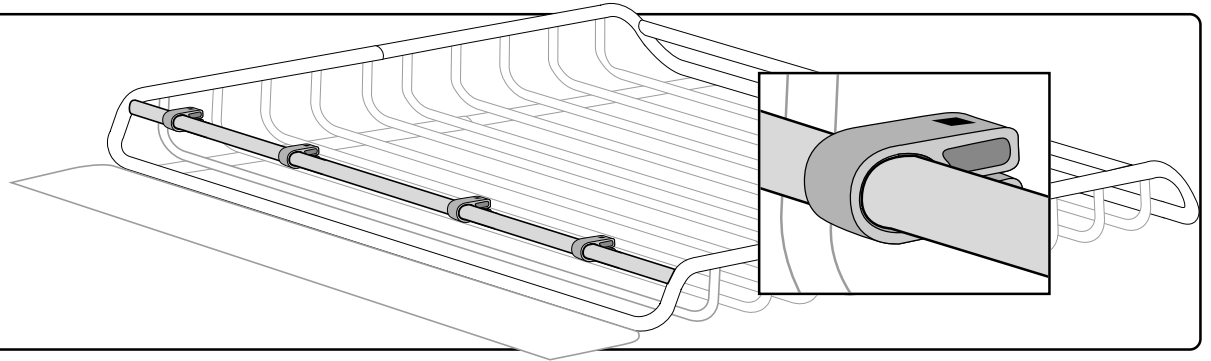
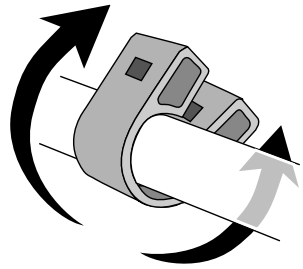
**1**

**OPEN THE FAIRING**  
to install the brackets  
at the front of the  
basket.



**2**

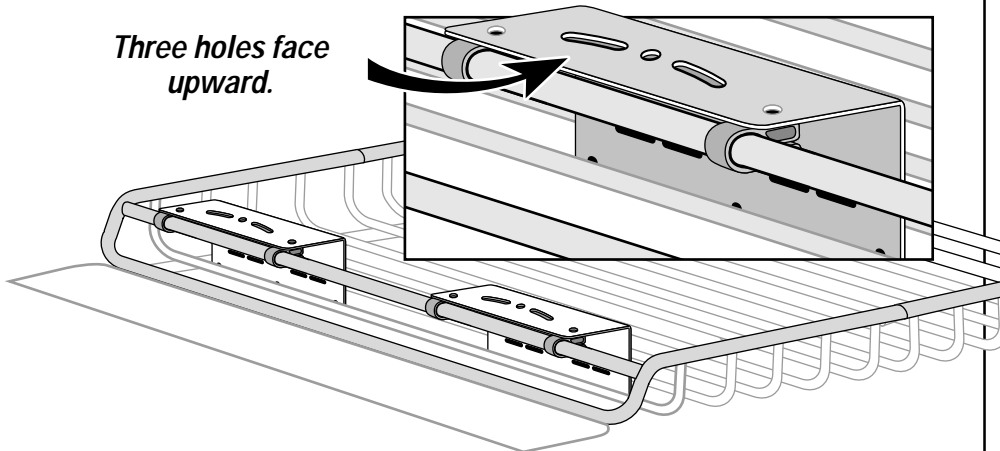
Attach four  
SnapArounds onto  
the basket bar.



**3**

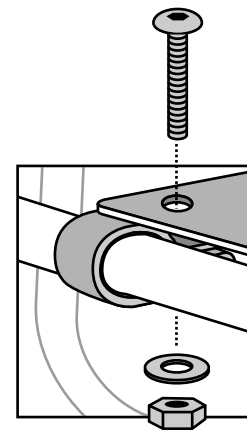
Position each bracket to the SnapAround pairs.

*Three holes face  
upward.*

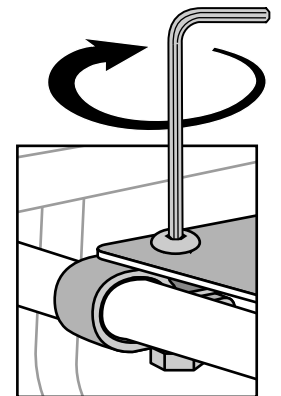


**4**

Secure the brackets with bolts,  
washers, and nuts.

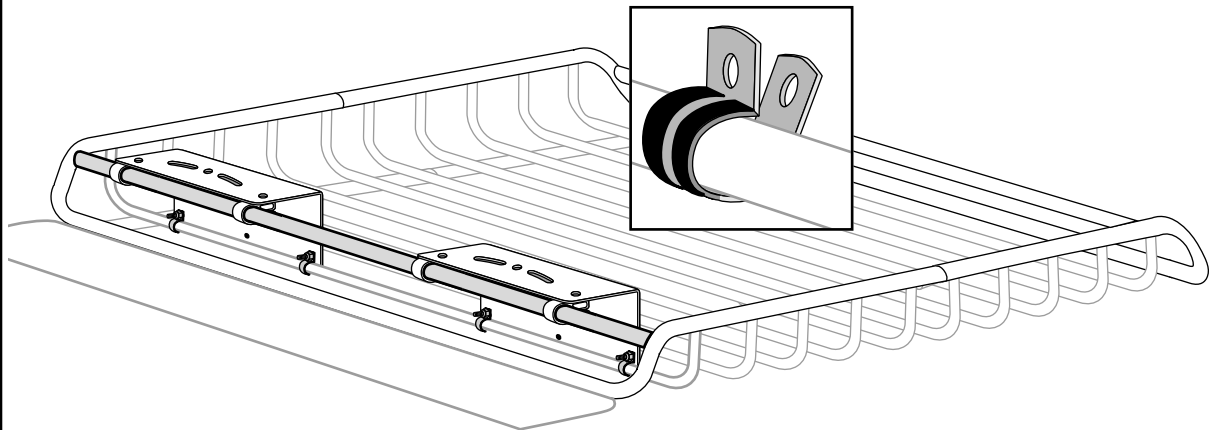


Tighten with  
wrench.



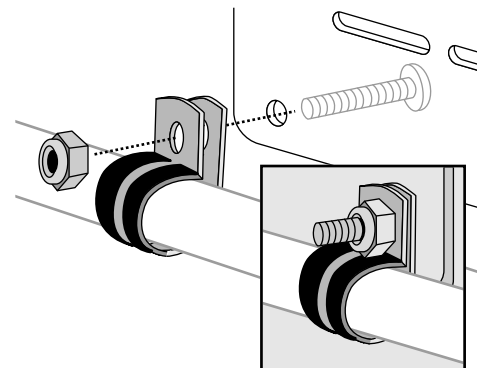
**5**

**Attach small bar clamps.**



**6**

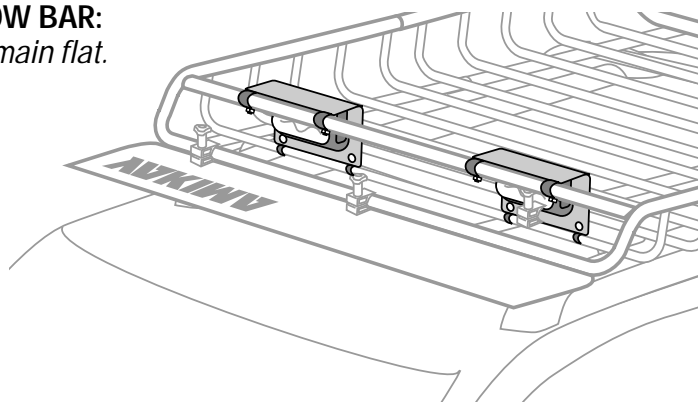
**Use adjustable wrench and screwdriver to secure small bolts and nuts.**



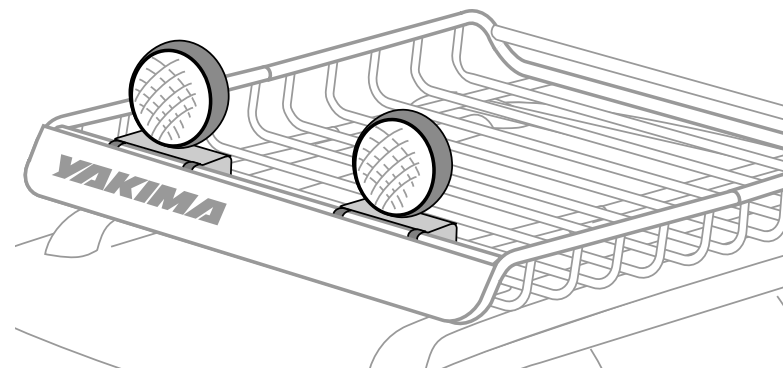
**7**

**LIGHTS MAY BE INSTALLED TWO WAYS.**

**Attachment BELOW BAR:**  
*Fairing should remain flat.*



**Attachment ABOVE BAR:**



**CAUTION:** Keep fairing down when lamps are hot.



**Additional holes can be drilled to accommodate any installation configuration.**  
**If additional holes are drilled, coat bare metal surfaces with black touch up paint.**  
Proper installation and wiring of lights are the responsibility of the consumer.  
Please refer to light manufacturer's instructions.