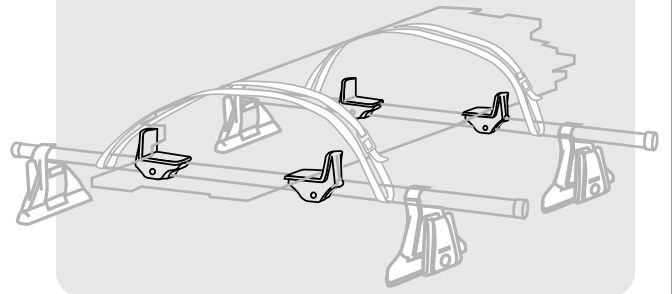
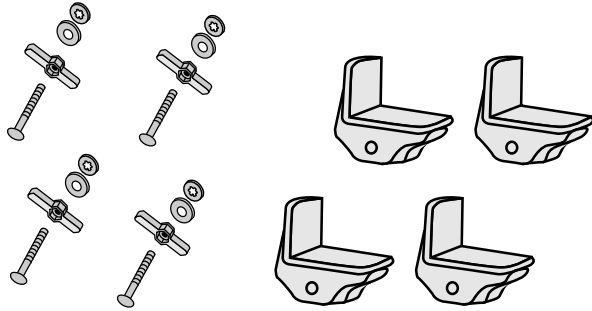
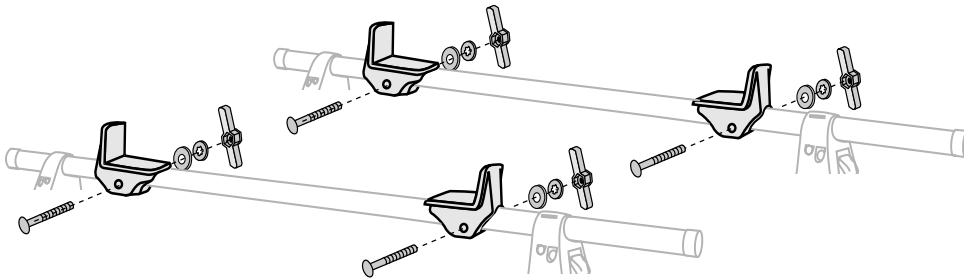


# YAKIMA

# LoadStop ANY LOAD, ANY ROAD!

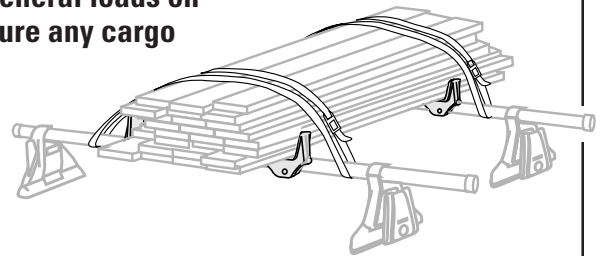


# 1



# 2

The LoadStop is designed to assist carrying a variety of general loads on your Yakima rack. It is your responsibility to properly secure any cargo before driving away. Straps sold separately.



**Please Read Warnings! Prière de Lire Ces Mises en Garde! ¡Lea las advertencias!**

**DO NOT EXCEED YOUR RACK'S WEIGHT LIMIT.**  
Distribute weight equally in all directions.

**CAUTION!** Loads may shift fore and aft while driving. Check your load often and tighten straps if necessary.

**ALWAYS SECURE LONG LOADS TO VEHICLE AT THE FRONT AND REAR.**

