

YAKIMA

FullTilt 4&5

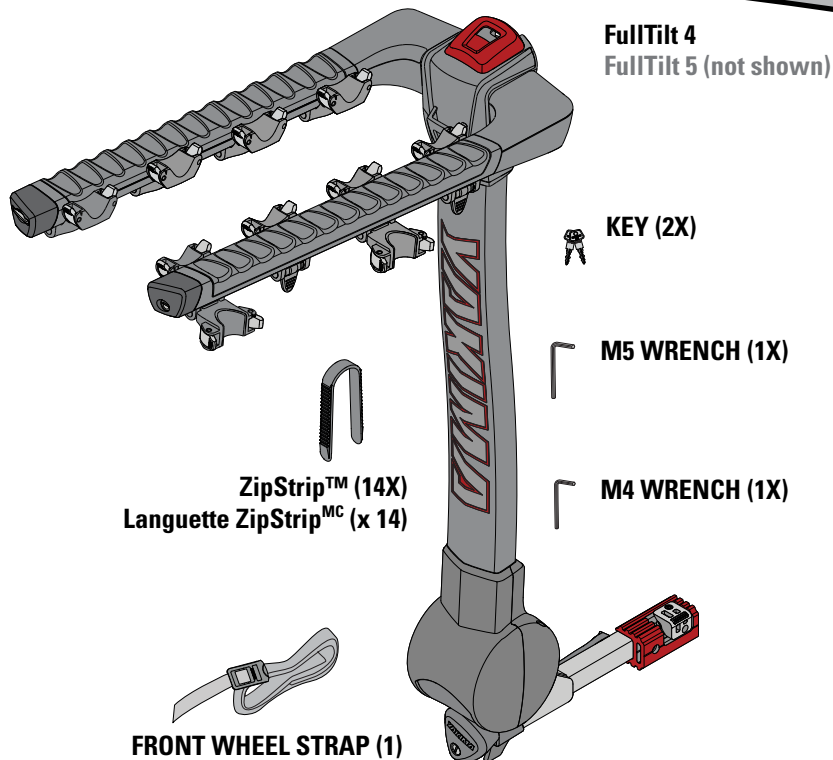
PURCHASE SEPARATELY:

TubeTop

Required for bikes with step-through/Ladies frames or bikes with slanted top tubes.
Part #8002531

HitchSki

Carries up to 6 pairs of skis or 4 snowboards
Part #8002418

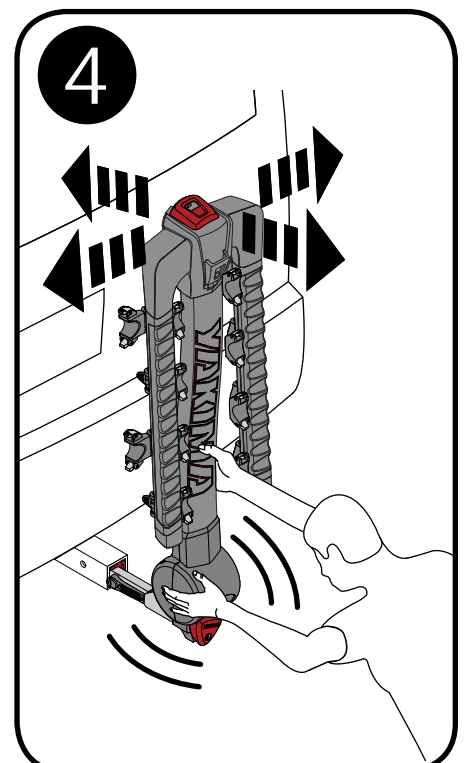
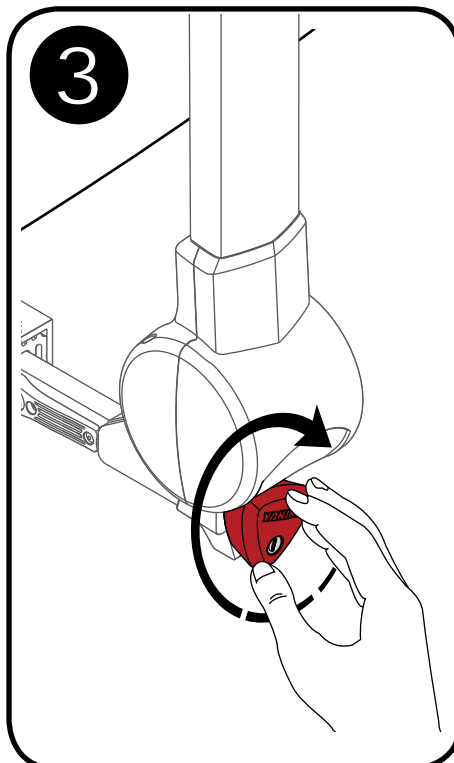
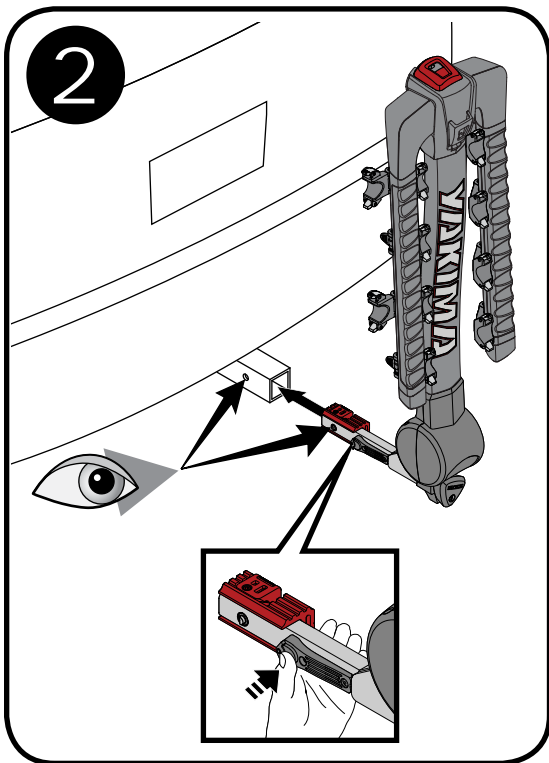
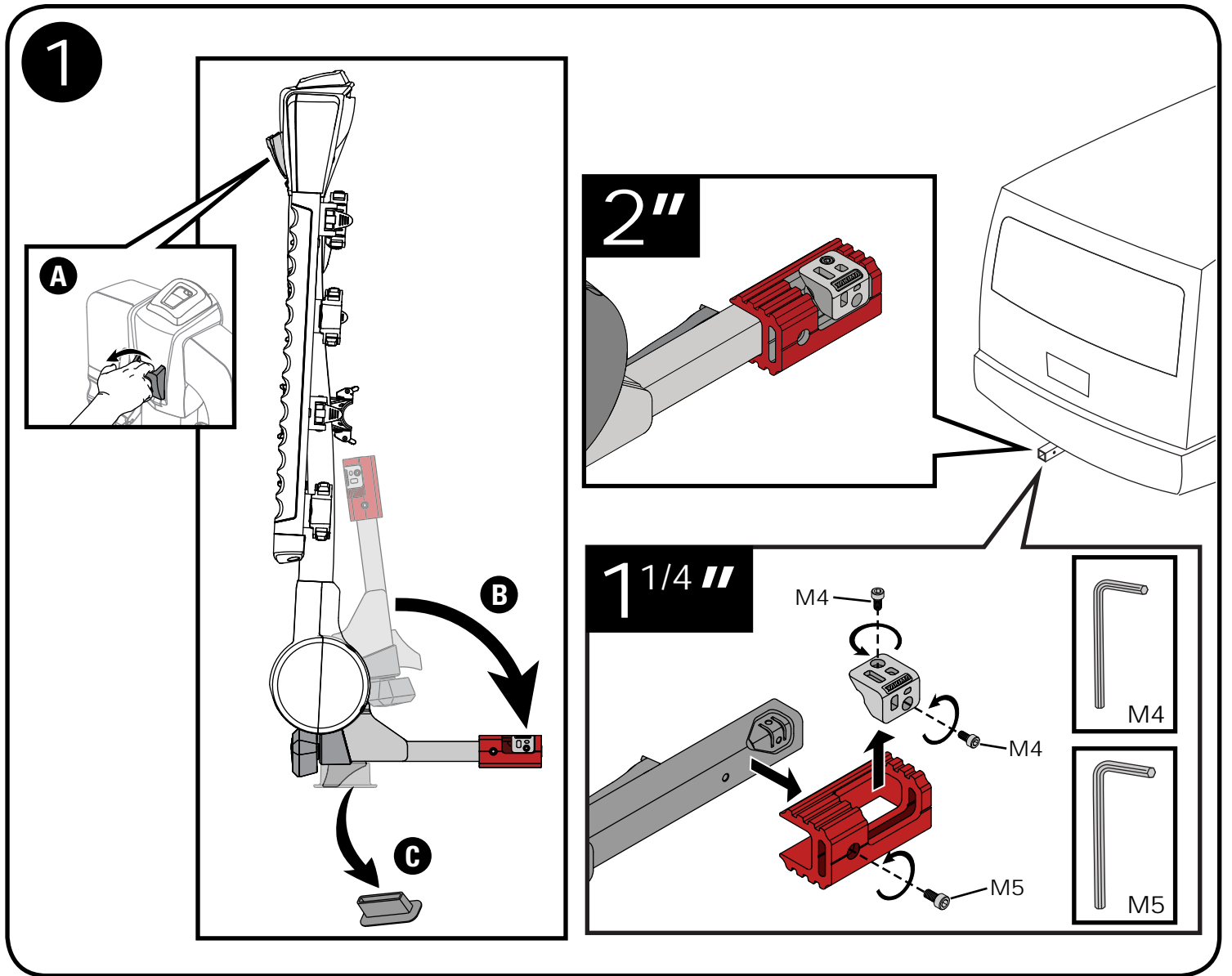


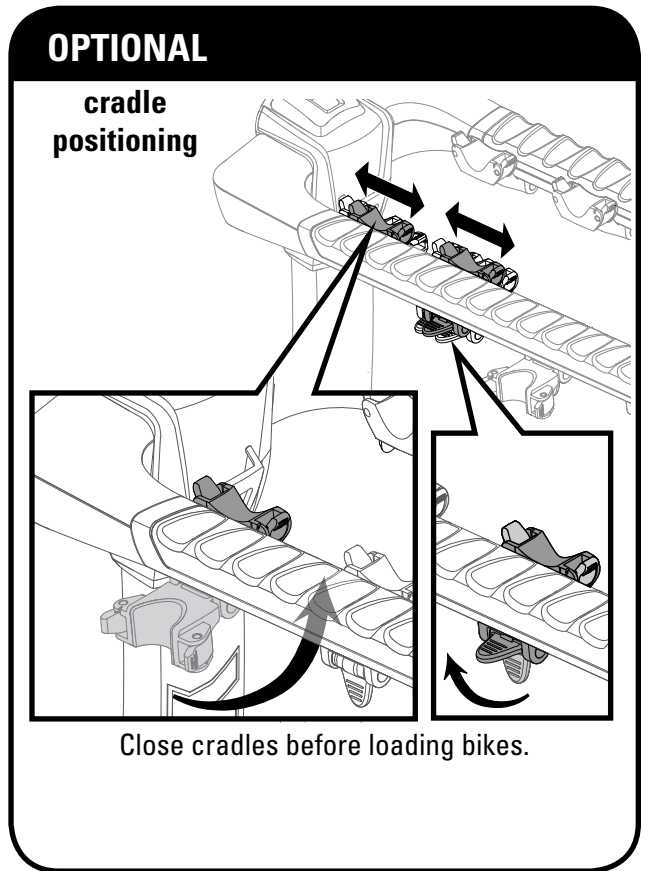
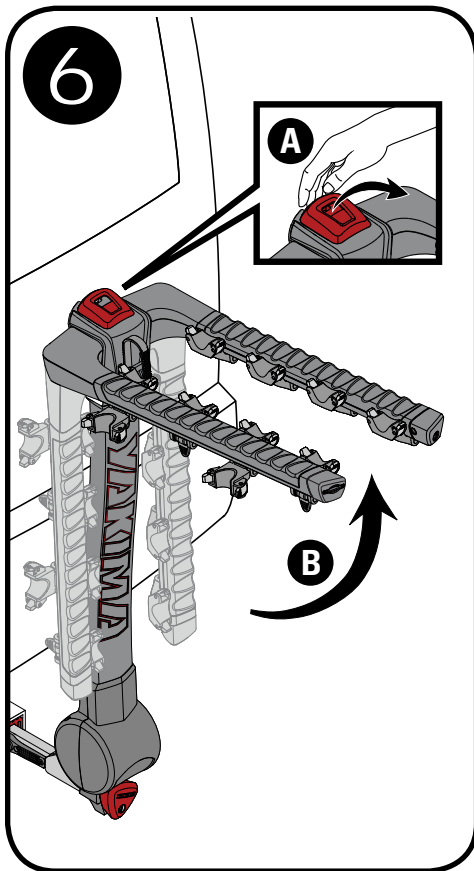
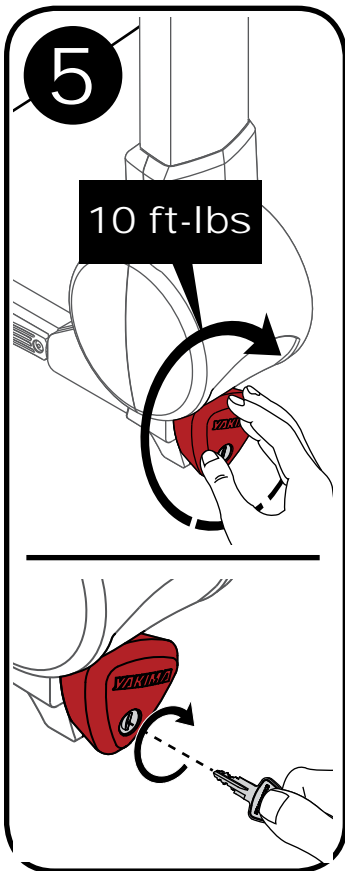
Do not use with a hitch extender.



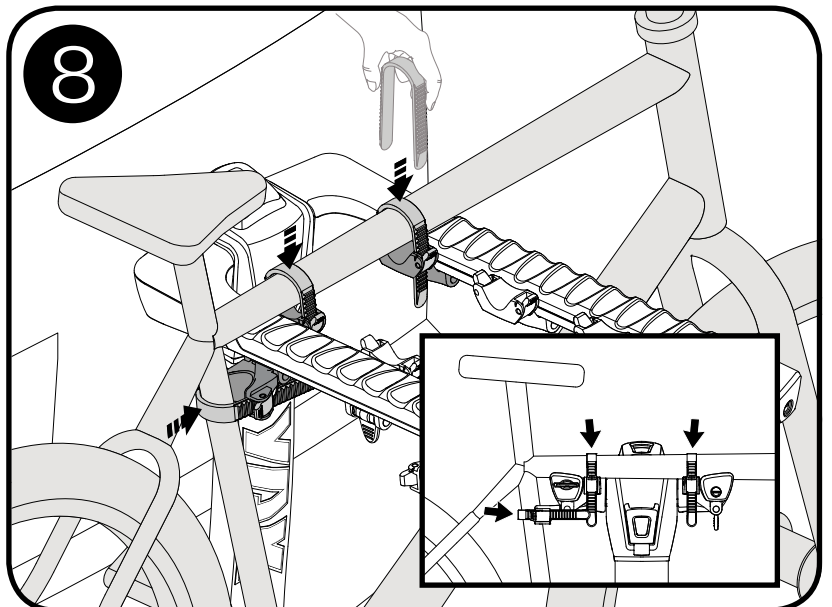
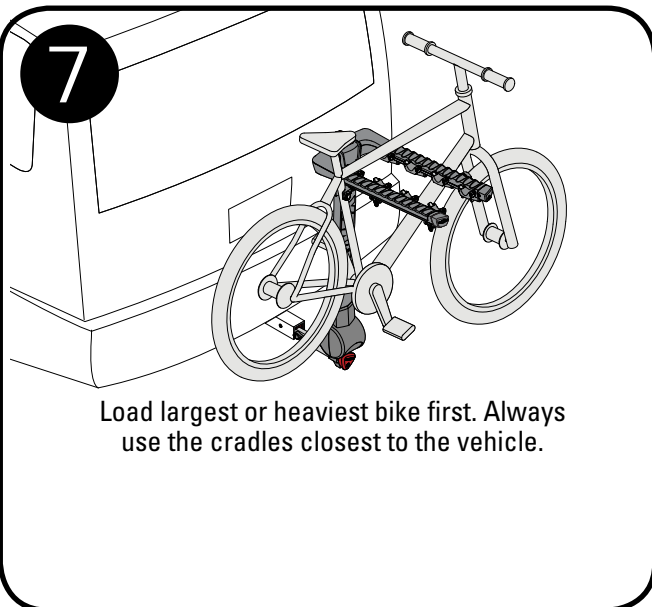
IMPORTANT WARNING

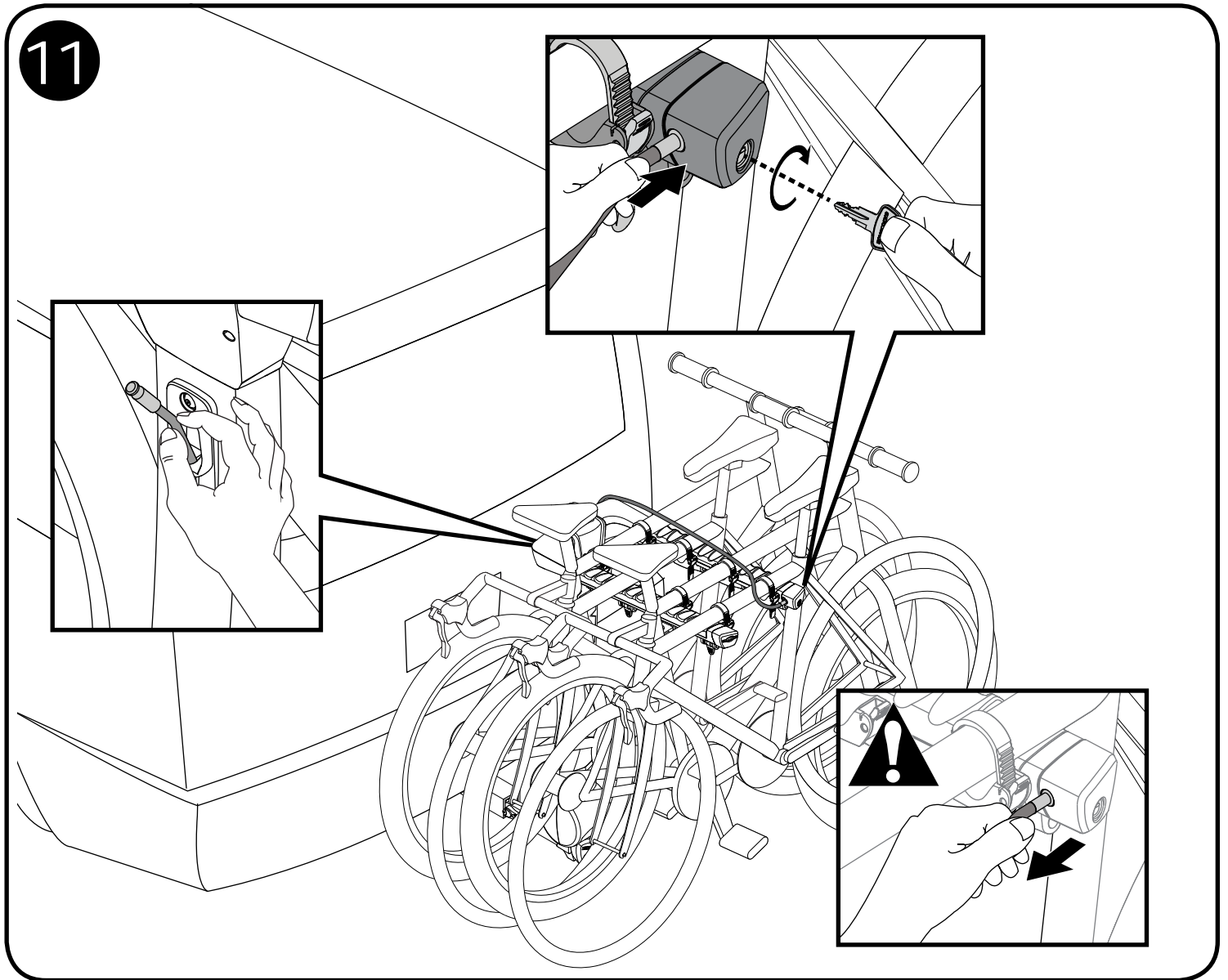
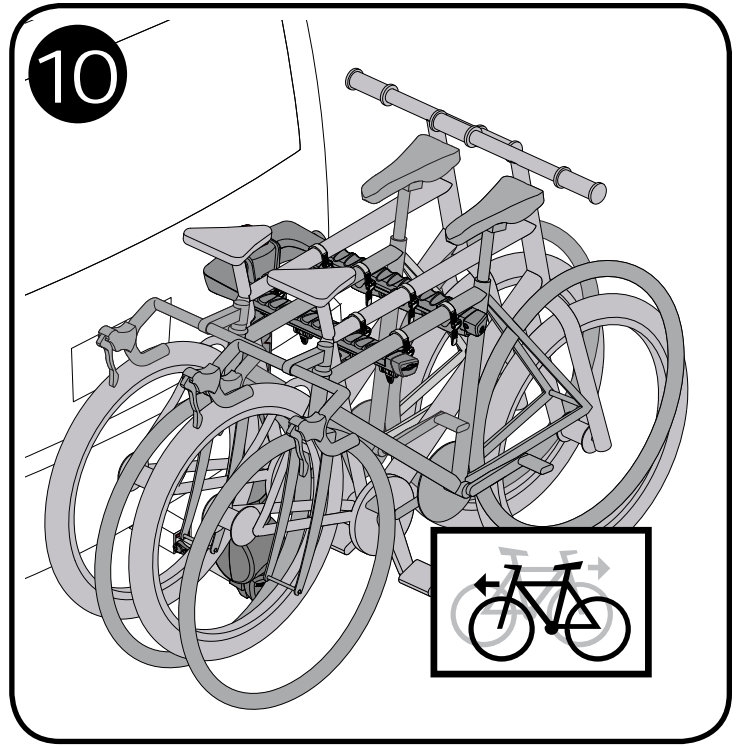
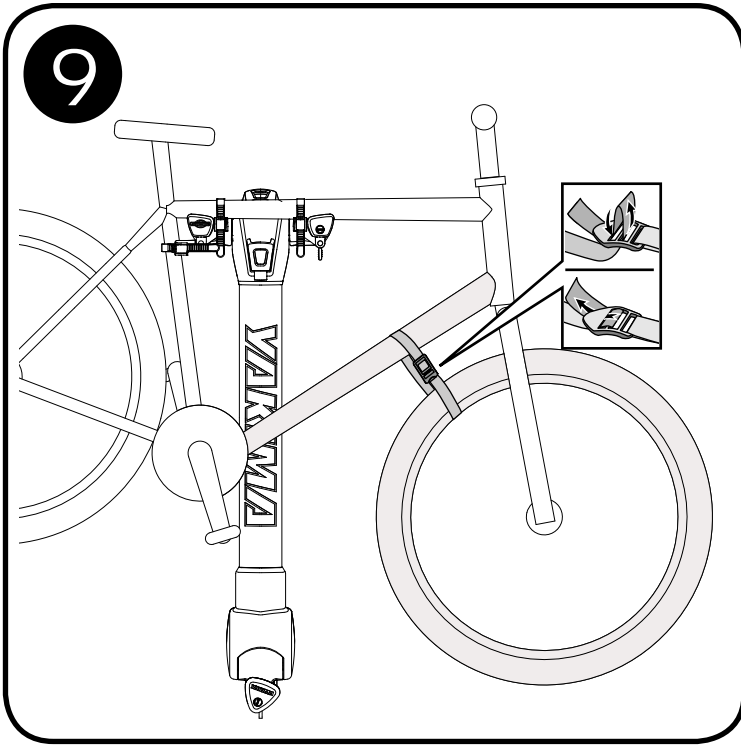
IT IS CRITICAL THAT ALL **YAKIMA RACKS AND ACCESSORIES** BE PROPERLY AND SECURELY ATTACHED TO YOUR VEHICLE. IMPROPER ATTACHMENT COULD RESULT IN AN AUTOMOBILE ACCIDENT, AND COULD CAUSE SERIOUS BODILY INJURY OR DEATH TO YOU OR TO OTHERS. YOU ARE RESPONSIBLE FOR SECURING THE RACKS AND ACCESSORIES TO YOUR CAR, CHECKING THE ATTACHMENTS PRIOR TO USE, AND PERIODICALLY INSPECTING THE PRODUCTS FOR ADJUSTMENT, WEAR, AND DAMAGE. THEREFORE, YOU MUST READ AND UNDERSTAND ALL OF THE INSTRUCTIONS AND CAUTIONS SUPPLIED WITH YOUR YAKIMA PRODUCT PRIOR TO INSTALLATION OR USE. IF YOU DO NOT UNDERSTAND ALL OF THE INSTRUCTIONS AND CAUTIONS, OR IF YOU HAVE NO MECHANICAL EXPERIENCE AND ARE NOT THOROUGHLY FAMILIAR WITH THE INSTALLATION PROCEDURES, YOU SHOULD HAVE THE PRODUCT INSTALLED BY A PROFESSIONAL INSTALLER.



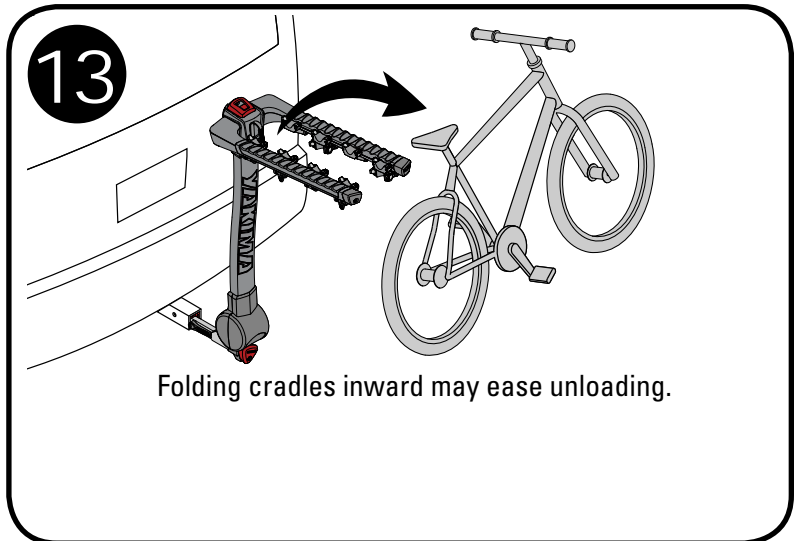
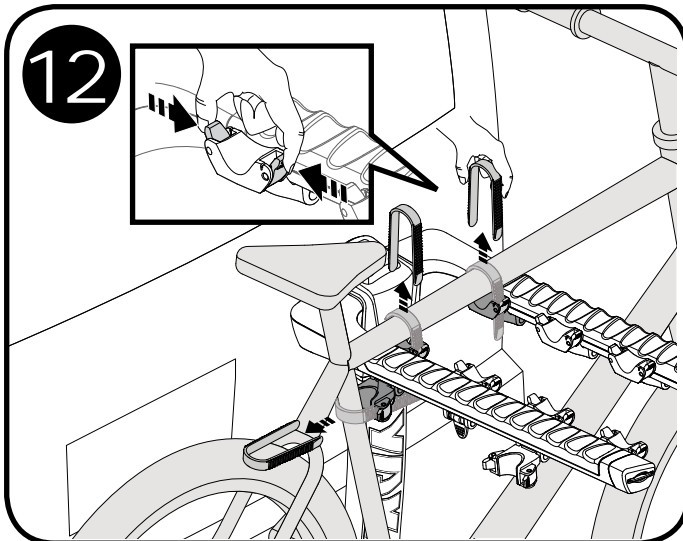


! A Yakima TubeTop (see cover page) may be required to carry your bike safely. **Failure to load bikes properly can result in property damage, personal injury, or death.** Bikes should be as level as possible to avoid ground clearance issues and possible ejections.

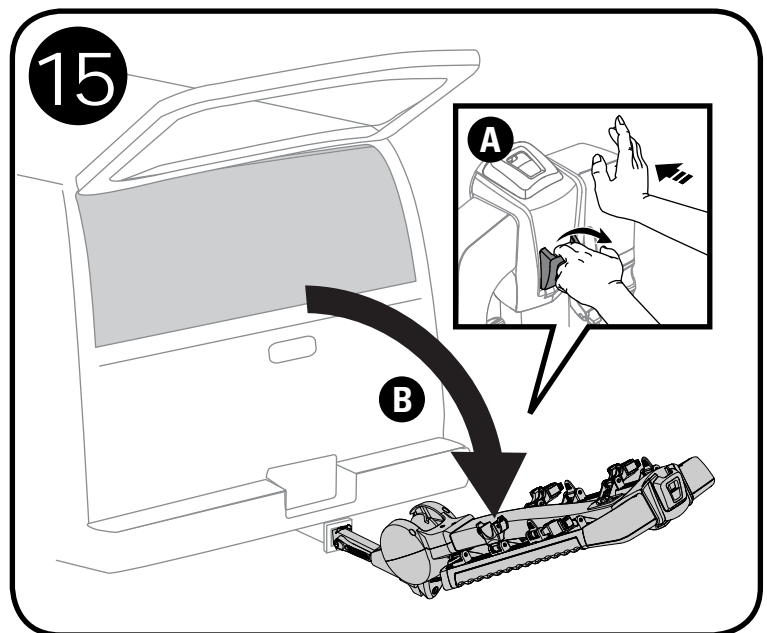
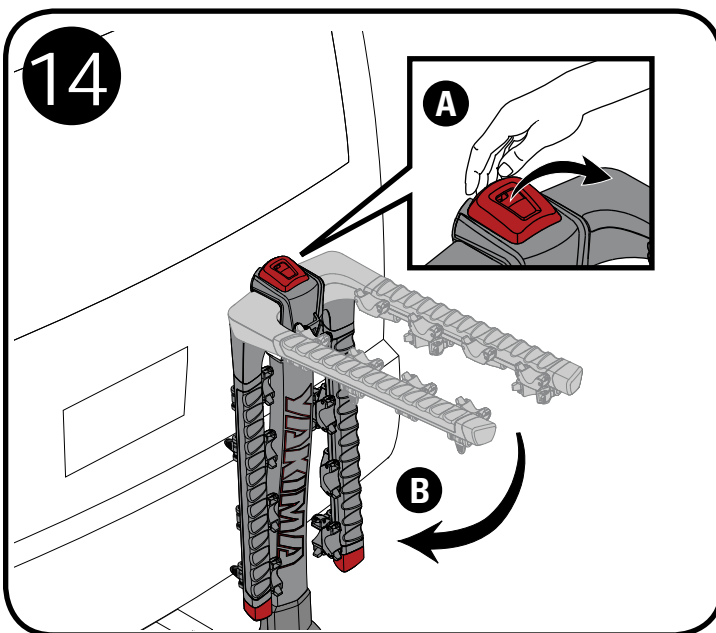




UNLOADING



FOLD MAST DOWN TO ACCESS THE REAR.



REMOVAL

1. **Unlock and retract locking cable.**
2. **Unload the bikes.**
3. **lower the arms.**
4. **Unlock the carrier.**
5. **Loosen red knob.**
6. **Press the button on the tongue (see step 1).**
7. **Remove the carrier from the hitch.**
8. **Fold up the tongue.**
9. **Store FullTilt in a safe place.**