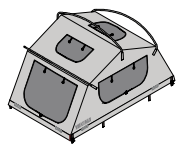
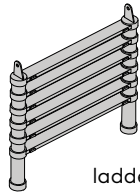


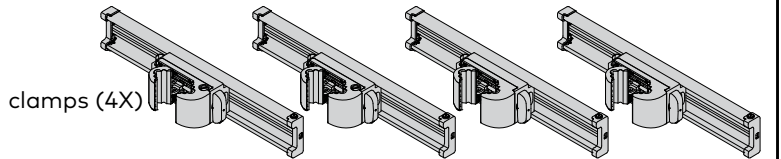
CONTENTS • CONTENU • CONTENIDO



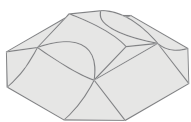
tent (1X)



ladder (1X)



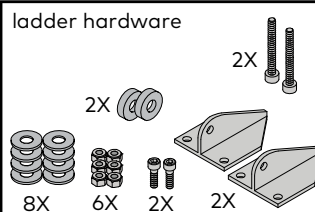
clamps (4X)



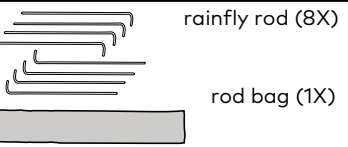
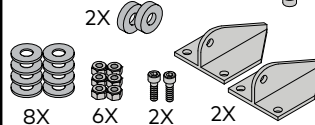
rainfly (1X)



stakes (2X)

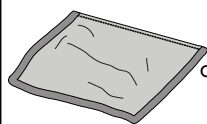


ladder hardware

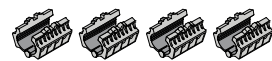


rainfly rod (8X)

rod bag (1X)



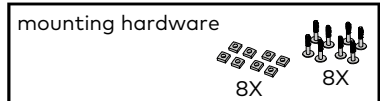
cover (1X)



RoundBar™ Adapter (4X)



tie downs (2X)

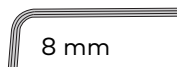
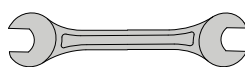


mounting hardware

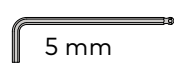
8X 8X

contents not to scale

included tools:



8 mm



5 mm



key (2X)

Pour le français, aller à la page 14.

READ ME FIRST!



FIRST OFF, THANKS!

Welcome to the Yakima family. We appreciate your support and are confident that you'll get years of solid performance from your new Yakima product. Below are a few helpful hints to make sure that you have a great ownership experience. Please keep these instructions.

WATCH FOR THESE SYMBOLS!



= **SAFETY** – Keep safe by reading the important safety warnings included in the product instructions! Safety warnings are identified with this symbol.

= **STOP** – Please read all important product notes in the product instructions to ensure proper installation or fit information. These notes are identified with this symbol.

SOME DO'S AND DON'TS (additional warnings are contained in these instructions)

- Do have a friend or dealer help with installation.
- Do use the tent when parked on level ground.
- Do remove the tent when not in use.
- Do dry the tent before storage.
- Do use the tent on level ground.
- Do close the tent cover fully before driving away.
- Do assist children on the ladder.
- Do close and secure the cover before driving.
- Do not climb on your vehicle's roof.
- Do not use the tent unless ladder is securely in place.
- Do not allow more than one adult on the ladder at a time.
- Do not use the tent in high-winds or heavy-snow.
- Do not transport anything on top of the closed tent.
- Do not use an open flame nor cook inside tent.

IMPORTANT FIT INFORMATION

WARNING: DO NOT USE THIS PRODUCT ON A VEHICLE THAT IS INDICATED AS "NO-FIT".

The Yakima Fit-List now includes approved SkyRise™ fits for many popular vehicles. Updates and additions to the Yakima Fit-List for rooftop tents are being made continually. **Please go to fitlookup.yakima.com for latest updates.**

Vehicles that we have seen and tested are designated as "FIT" or "NO-FIT" for SkyRise™. Fits for SkyRise are different than for other Yakima products. **Please note that virtually all factory crossbars are too flexible for rooftop tents. So vehicles approved in the Fit-List will still require a Yakima roof-rack system.** If we have not tested your particular vehicle and rack system, you can use the checklist below to evaluate whether your vehicle and rack system may support a SkyRise.

Remember, the checklist below is designed to be a guideline only and any installation not on our approved Fit-List is at the sole risk and responsibility of the owner or installer.

- The vehicle and rack system have a minimum load carrying capacity of 165 lbs.
- The following Yakima towers may be used: TimberLine™, SkyLine™, RidgeLine™, RailGrab™ (med. or large claw), ControlTower™, LowRider™, 1A Raingutter™, BedRock™, and Outdoorsman™.
- You may use SkyRise with Yakima RoundBar™, CoreBar™, or JetStream bars™.
- For factory-tracks or fixed-points (see figure 1), ensure that the roof does not deform when heavy loads are applied.
- For vehicles with raised-rails, position the crossbars as close as possible to rail supports.
- Ensure that the crossbar spread is between 26" and 40.5".
- Do not use a rooftop tent with any clamp type towers (including Q-Tower™ and BaseLine™) or RailGrab™ Towers with Small Claw or Pin Adapters.
- Do not use with factory-crossbars, they are too flexible.
- Do not position the mounting hardware more than 1" outside of the Tower (see figure 2).
- The maximum distance from top of the crossbar to the ground for SkyRise Small is 86" and 98" for SkyRise Medium.
- Do not install SkyRise™ on cantilever rails or rails without sufficient support (see figure 3).

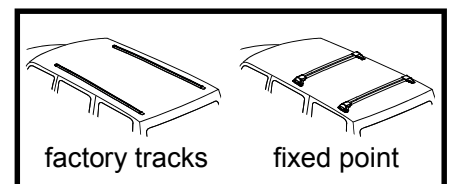


fig. 1

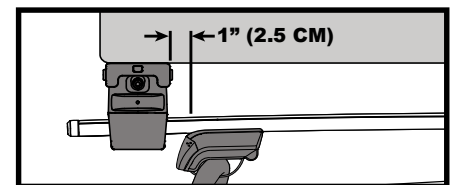


fig. 2



fig. 3

ASSEMBLE AND INSTALL

1 REMOVE THE CONTENTS FROM THE TENT.

Remove the ladder, cover, rainfly rod bag, and mounting hardware box from inside.

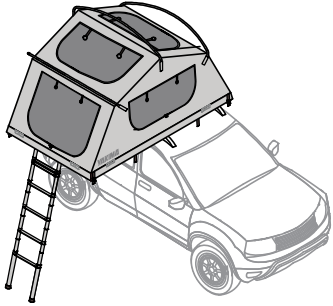
2 OPEN THE TENT.

Lift the side of the tent with the mounting holes into the vertical position, as shown below.

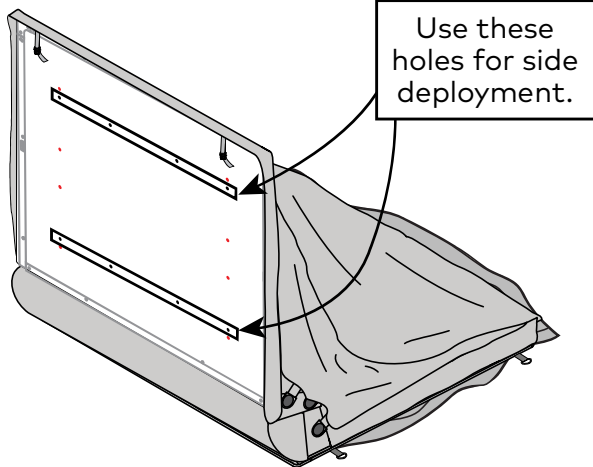
3 DETERMINE THE TENT DEPLOYMENT DIRECTION.

Identify the mounting holes for your deployment direction and use them in the next steps.

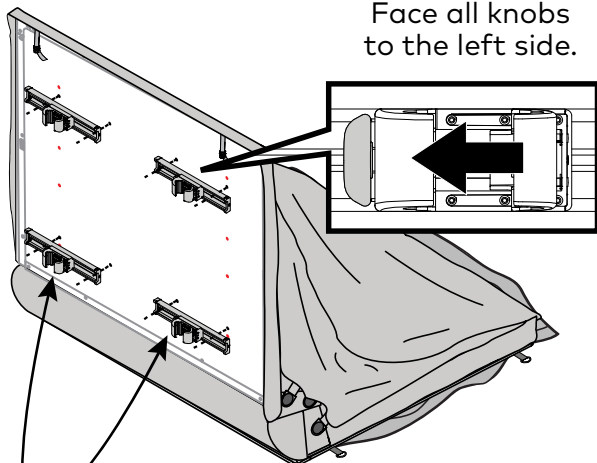
SIDE DEPLOYMENT



Puncture the **black stickers** over the mounting holes you will use.

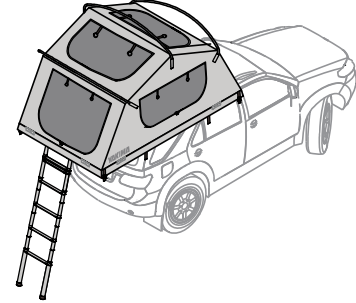


Face all knobs to the left side.

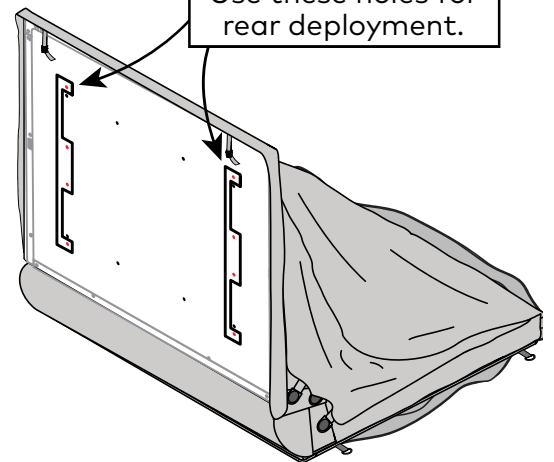


The locks should be on this side.

REAR DEPLOYMENT

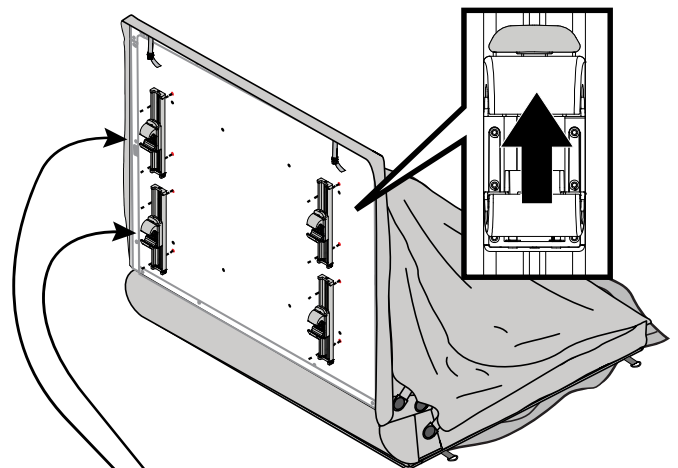


Use these holes for rear deployment.



Puncture the **red stickers** over the mounting holes you will use.

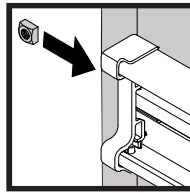
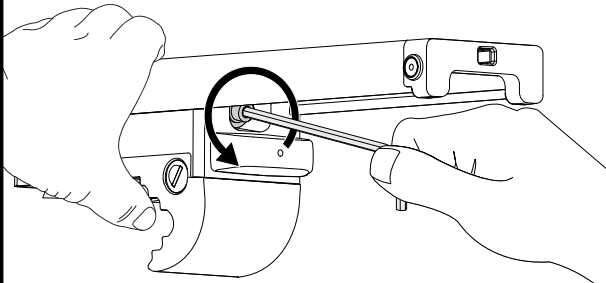
Orient all the knobs upward.



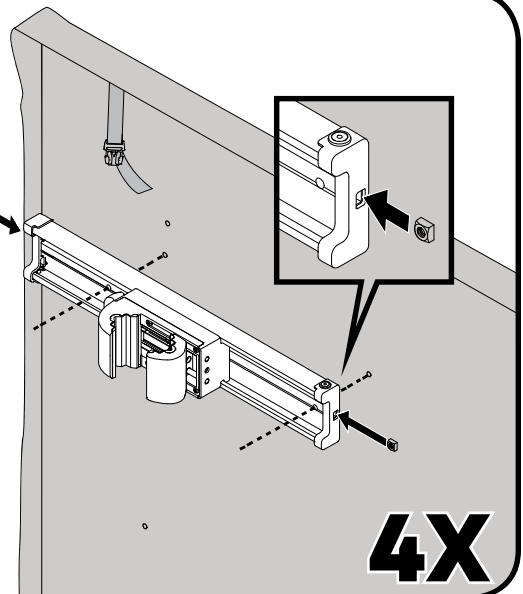
The locks should be on this side.

4 PREPARE THE MOUNTING CLAMPS.

Use the 5 mm hex wrench to loosen the slider-bolt.

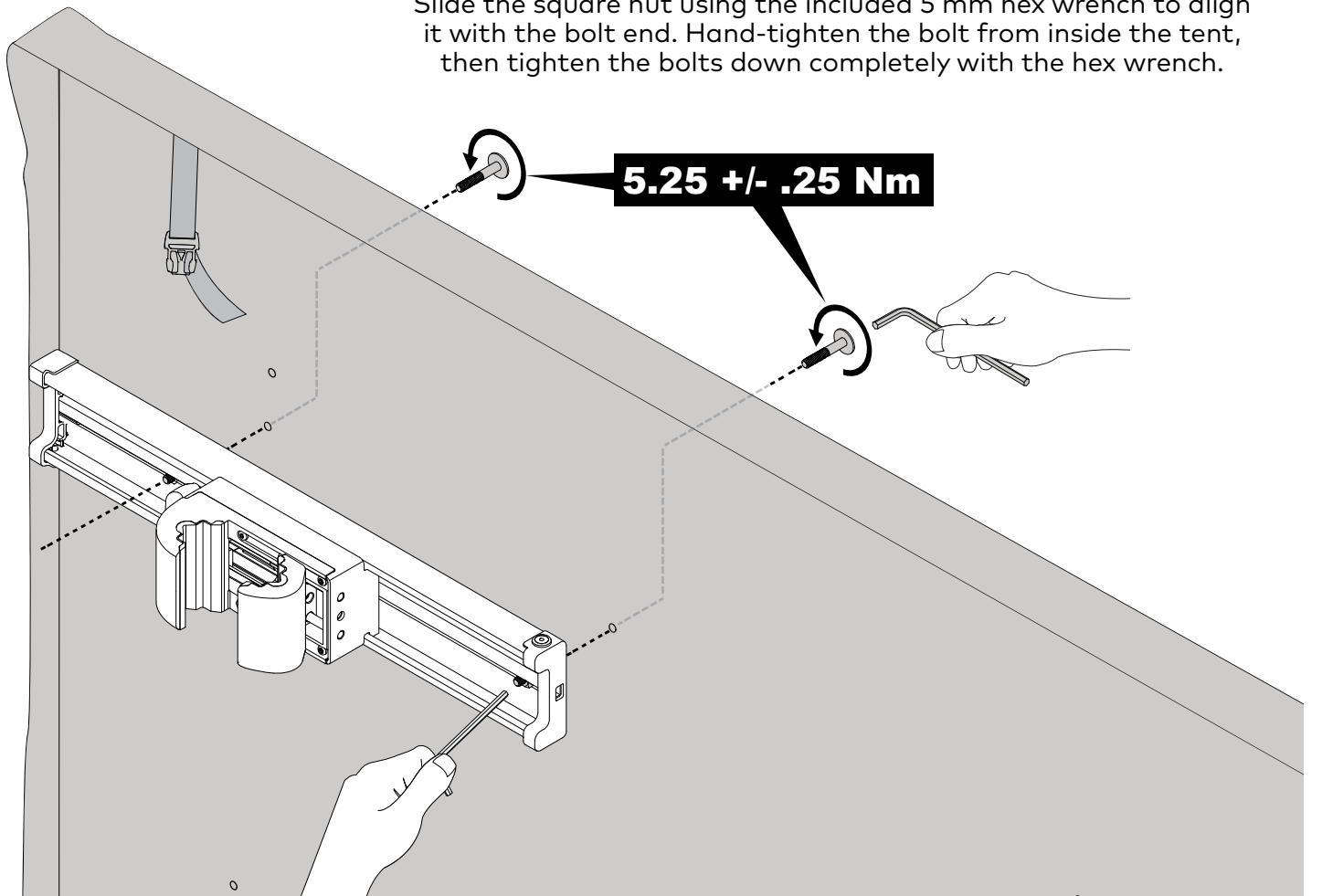


Slide 2 square nuts into each mount and align the mounts with the predrilled holes in the tent floor. Refer to step 2 for orientation.



5 ATTACH THE MOUNTING CLAMPS.

Reach under the mattress, and feed a bolt through the hole. Slide the square nut using the included 5 mm hex wrench to align it with the bolt end. Hand-tighten the bolt from inside the tent, then tighten the bolts down completely with the hex wrench.



TIPS

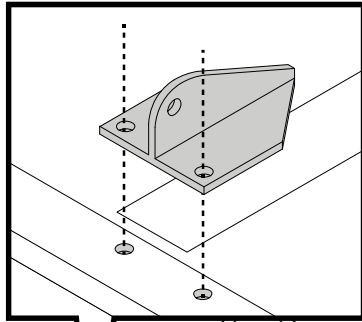
- Have a friend help hold the tent steady.
- Remove the mattress completely for easier access to the holes.



Be sure the knobs all face the same direction and that the locks are on the same side facing outboard (refer to the mount setup in step 2).

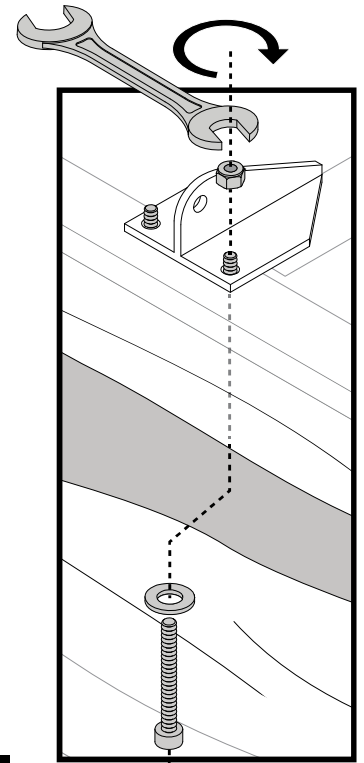
4X

6 ATTACH THE LADDER BRACKETS.



First, flip the SkyRise™ over to rest on the clamps. Then locate the predrilled holes under the stickers near the edge, and remove the stickers.

Orient the brackets as shown, then reach under the mattress and insert 2 of the long bolts with washers up through the floor and bracket. Hand-thread a locknut onto each bolt. Then, using the 8 mm hex wrench and included 13 mm open-ended wrench, tighten the bolts.

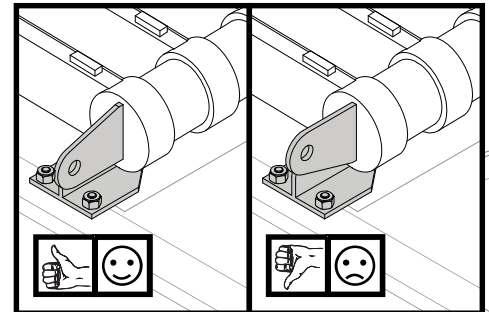


5.25 +/- .25 Nm

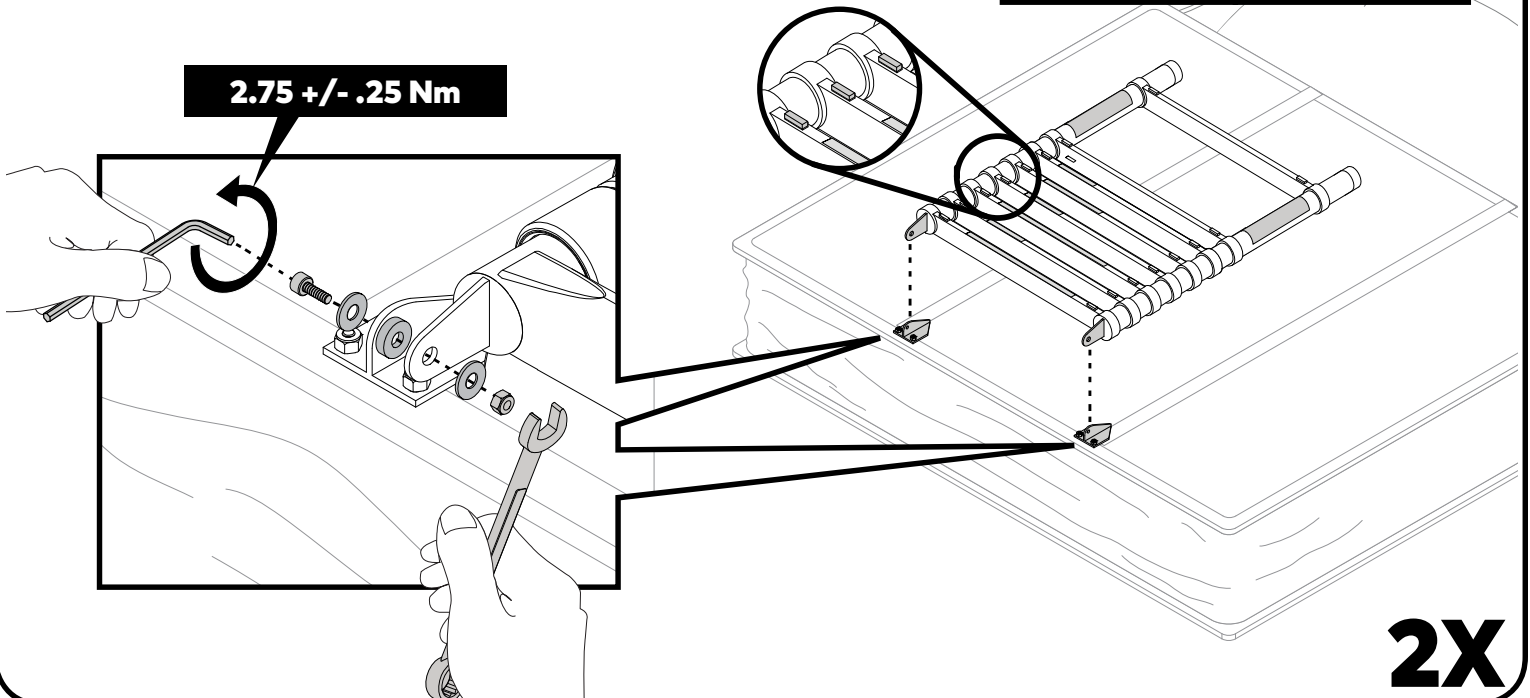
2X

7 ATTACH THE LADDER.

Make sure the information stickers are visible, and the top brackets are oriented with the **FLAT EDGE DOWN**. Secure the ladder with the short bolts, washers, plastic bushings, and lock nuts as shown. Use the 8 mm hex wrench and 13 mm open-ended wrench to tighten the hardware to 2.75 Nm. **BE SURE THE BOLTS ARE FULLY TIGHTENED!**



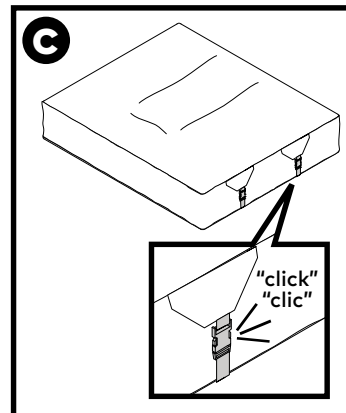
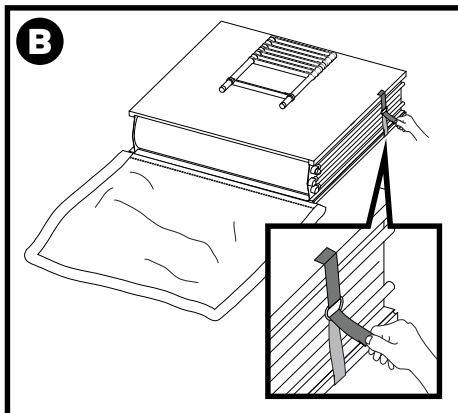
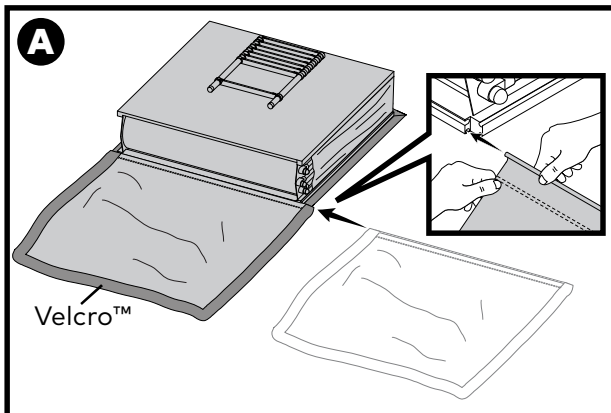
2.75 +/- .25 Nm



2X

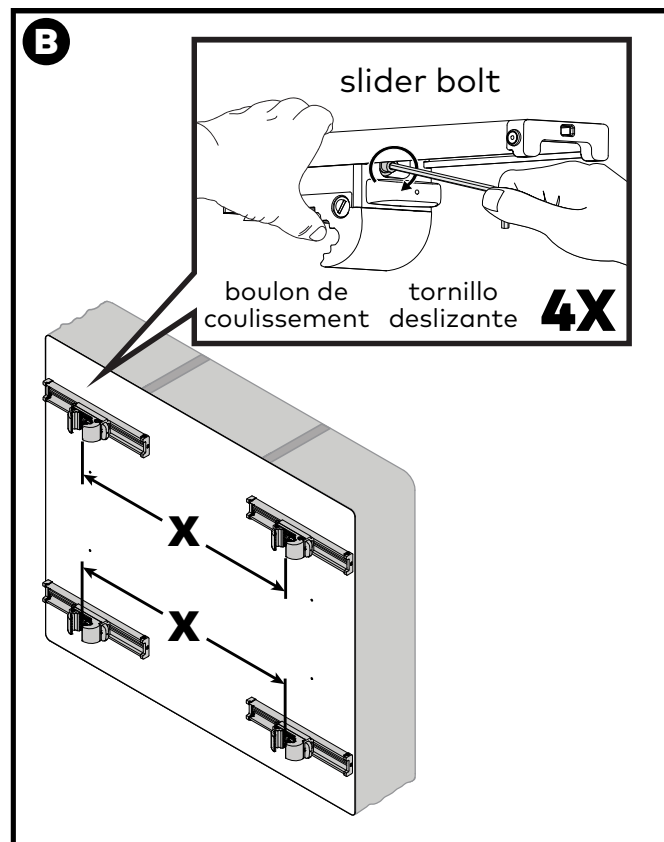
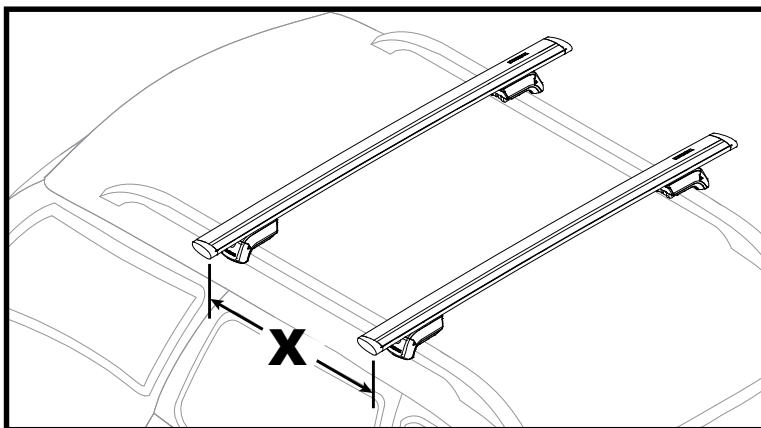
8 INSTALL THE COVER.

- A. Slide the cover (Velcro™-side-up) into the round channel.
- B. Secure the tent with its Velcro ties, being sure not to over-tighten.
- C. Put the cover on, secure the buckles, and zipper closure.

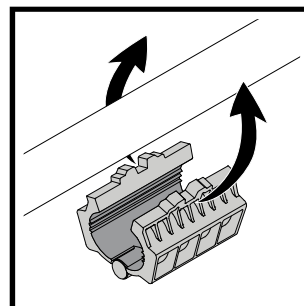
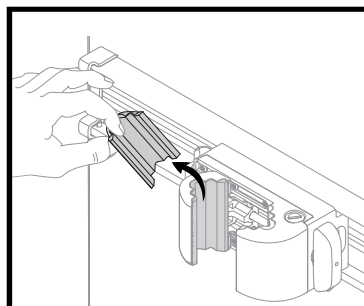


9 PREPARE THE TENT FOR VEHICLE INSTALLATION.

- A. Measure the distance (X) between the crossbars on your vehicle from the center of the front bar to the center of the rear bar.
- B. Tilt the SkyRise™ up on its side and open all the clamps completely. Set the distance between the clamps by sliding them along their tracks so they will match-up with your crossbar-spread (X). Be sure to measure from the **fixed side of the clamps** (X). Once set, partially tighten all slider bolts.



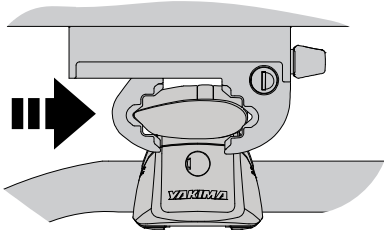
If you have Yakima RoundBars™, you must use the included RoundBar adapters. The adapters go around the RoundBars, and the clamps fit over the adapters. **Make sure to remove the rubber pads from the clamps.**



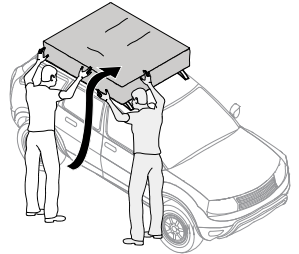
10 INSTALL THE TENT ON YOUR VEHICLE.



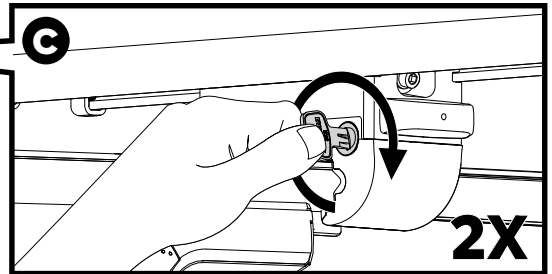
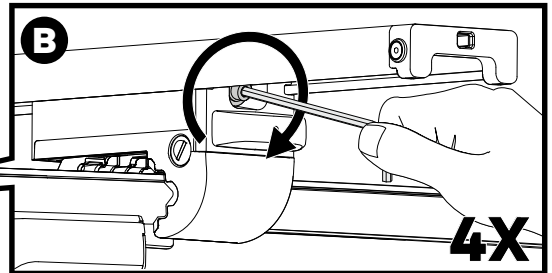
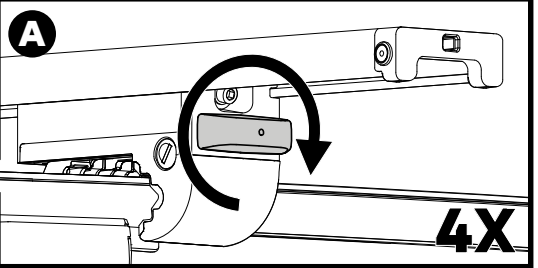
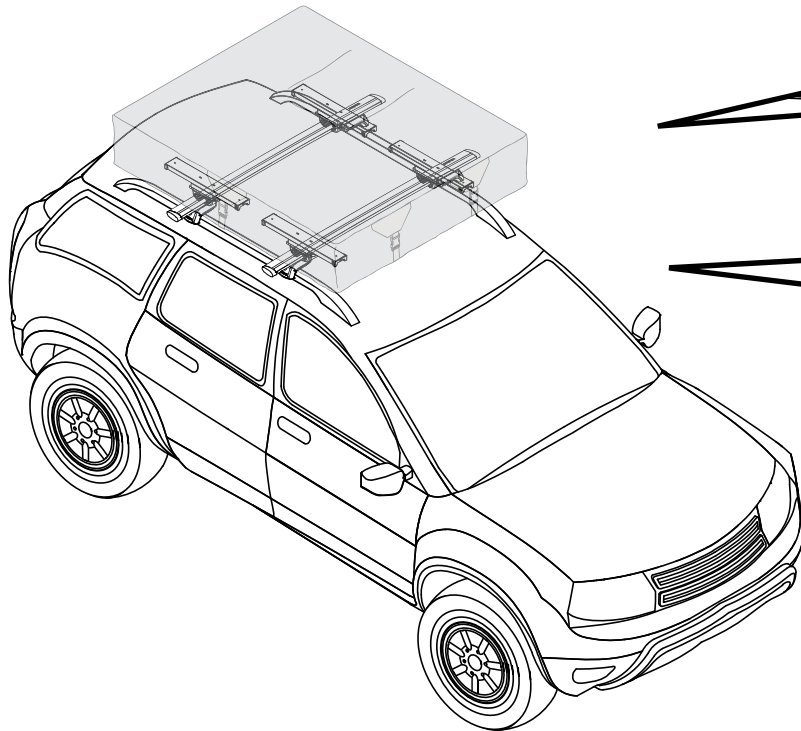
The clamps must seat correctly onto the crossbars or else the tent can slide on the crossbars.



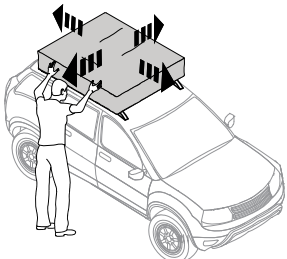
Have a friend help you lift the SkyRise™ onto your vehicle's crossbars.



- A. Tighten the clamps around your crossbars.
- B. Fully tighten the slider bolt on each clamp.
- C. Lock the clamps.



Test the installation and retighten as necessary.



You are now ready to travel to your campsite!

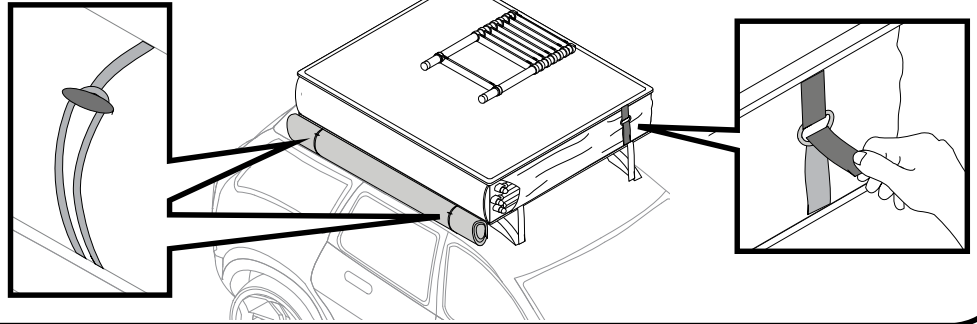


11

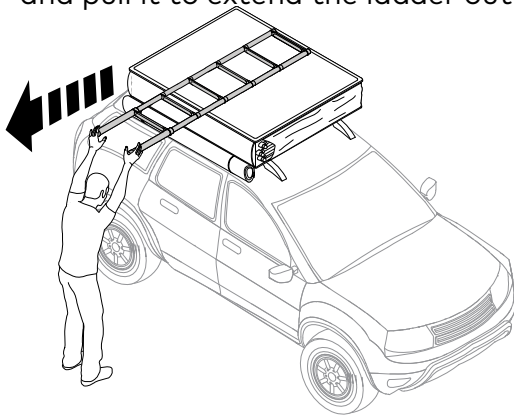
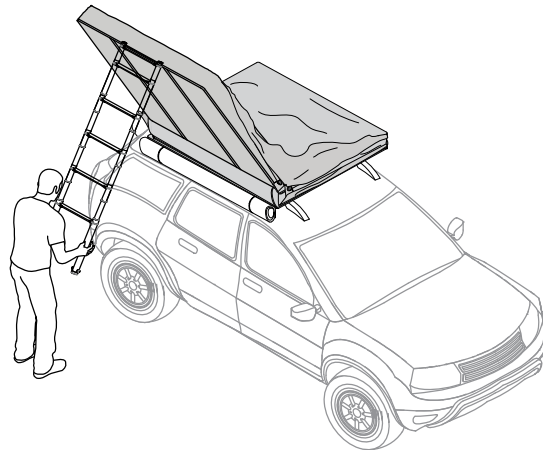
Find a level place to park and apply your parking brake.

12**REMOVE AND SECURE THE COVER.**

Unzip and unbuckle the cover, fold it forward, then roll it up and secure it with the ties. Then release the Velcro™ straps.

**13****DEPLOY THE TENT AND SET THE LADDER.**

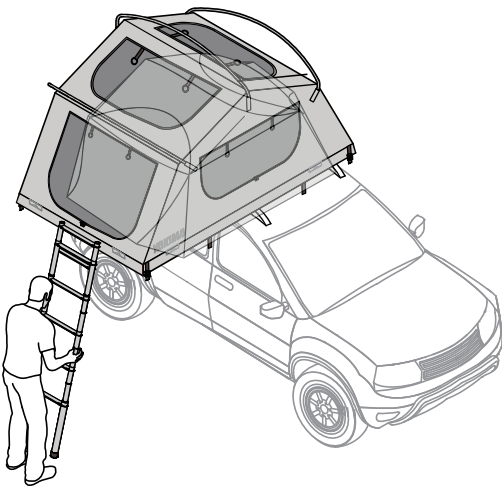
A First, release the strap, then grasp the ladder from the bottom rung, and pull it to extend the ladder out.

**B**

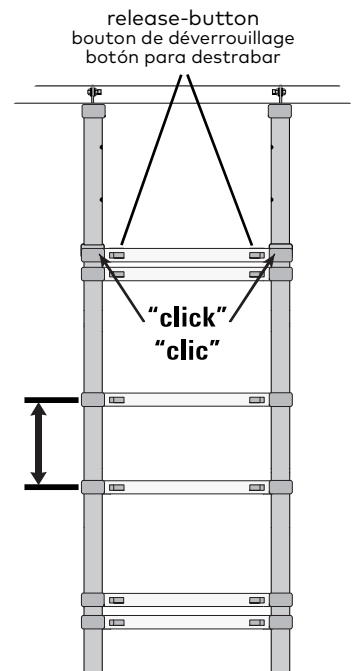
Push down on the ladder and walk backwards a couple steps. This will force the SkyRise™ to fold out and open up.

C

With a secure grasp on the ladder, use it to fully lower the SkyRise™ until it's open and the floor of the tent is flat. Rest the feet of the ladder on the ground.

**D**

- Make sure the top rung is locked out in one of the 3 positions (listen for a "click" as each rung locks into place).
- Adjust the ladder so that the tent platform is level.
- The ladder angle must be between 90° and 75°.
- Unused rungs should be stacked under the top step of the ladder.
- **SkyRise™ is not compatible with ladder extensions.**



- The ladder must remain in place to support the tent.
- Do not retract the ladder while it's in use.
- Read and follow the warnings on the ladder.
- Use caution while climbing up and down the ladder.

14 SET UP THE RAINFLY.

The easiest way to deploy the rainfly is from within the tent. With the rainfly attached to the tent, climb inside, and open the doors and side windows.

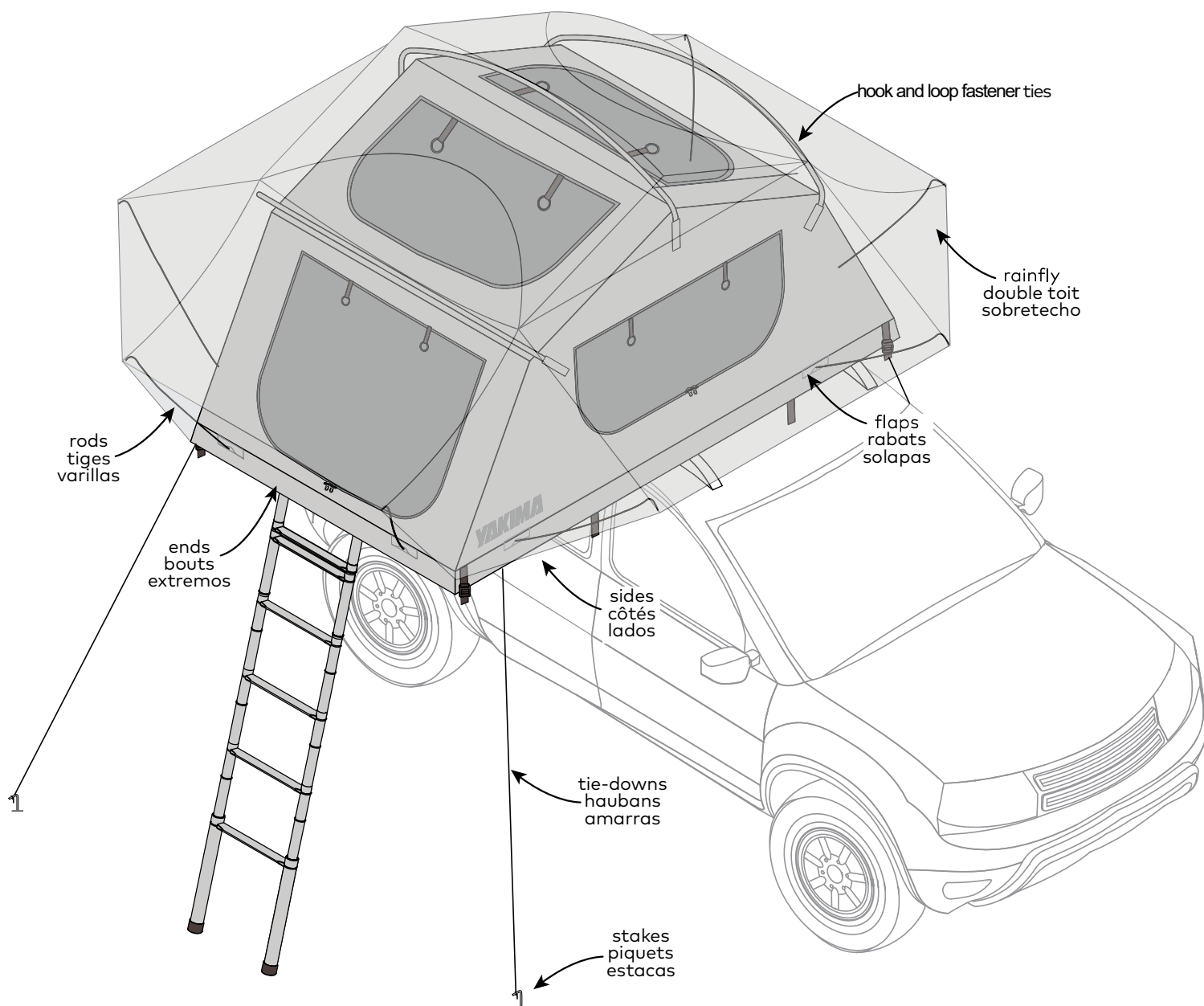
Reach through the side windows and find the 2 flaps on each side of the tent. Place the straight ends of 4 rods into the holes beneath the side flaps and hook the curved ends into the grommet holes on the rainfly.

Reach through the doors and find the 2 flaps on each end of the tent. Place the straight ends of the other 4 rods into the holes beneath the end flaps and hook the curved ends into the grommet holes on the rainfly. **The rods are under tension when installed; do not be directly under a rod while installing or removing them.**

The rainfly is removable. It can be detached from the tent by unhooking the buckles and then lifted away with the rainfly hoops.

In windy conditions, use the included ground stakes and tie-downs to anchor your SkyRise™. Tie them to the D-rings found on the frame as shown below.

Use the SkyRise™ Medium image below as a guide.



SkyRise Best Practices

There are loads of different adventure-mobiles out there. No matter what they drive, we want them to travel safe. We have assessed the SkyRise on many popular vehicles and designated them as "Certified" or "Not Certified."

If we have not yet assessed a vehicle, use the guidelines below to evaluate whether the customer's vehicle and rack system may be used with a SkyRise tent.

IMPORTANT

Use the list below to evaluate the vehicle and rack for use with the SkyRise tent. Any installation of a SkyRise tent to a vehicle and rack not listed as a Yakima Certified Fit is at the sole risk and responsibility of the owner / installer.

VEHICLE EVALUATION GUIDELINES & BEST PRACTICES

Vehicle AND roof rack system must have a minimum of 165-lb load-carrying capacity. Check the vehicle owner's manual to find the maximum carrying capacity.

The following Yakima products can potentially be used:

Roof Racks

- Timberline
- SkyLine
- RidgeLine
- 1A RainGutter
- Control Tower
- RailGrab (with Medium or Large claws) (Figure 1)

Truck Racks

- OverHaul HD
- OutPost HD
- BedRock HD
- Outdoorsman
- BedRock

Trailer

- EasyRider Trailer (with Tent Kit, 8008127)

The following Yakima towers **ARE NOT** to be used:

- BaseLine Tower
- Q Tower
- RailGrab Tower with Small Claw or Pin Adapter (Figure 1)



Do not use SkyRise with any clamp-type or clip-style towers, unless specified by Yakima.

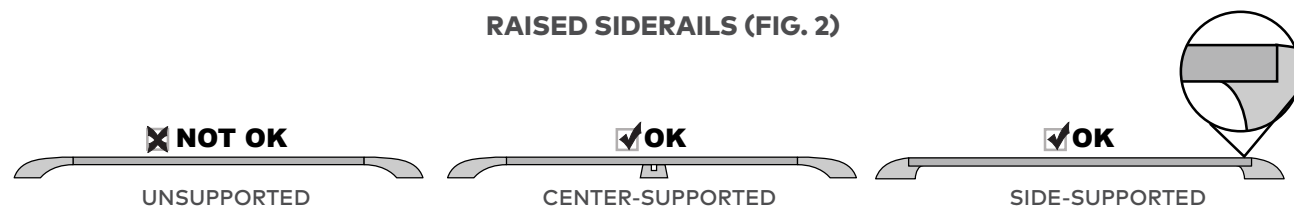
Use of the SkyRise tent on other brands of roof racks is at your own risk. Please contact your roof rack manufacturer for their recommendation on carrying rooftop tents.

Do not use SkyRise if your vehicle's roof deforms or dents when heavy loads are applied.

For vehicles with raised rails (see p. 16 to identify roof type), the crossbars must be positioned as close as possible to the side or center rail supports.

Do not install SkyRise on weak raised siderails of the "unsupported" type, as shown in Figure 2.

RAISED SIDERAILS (FIG. 2)



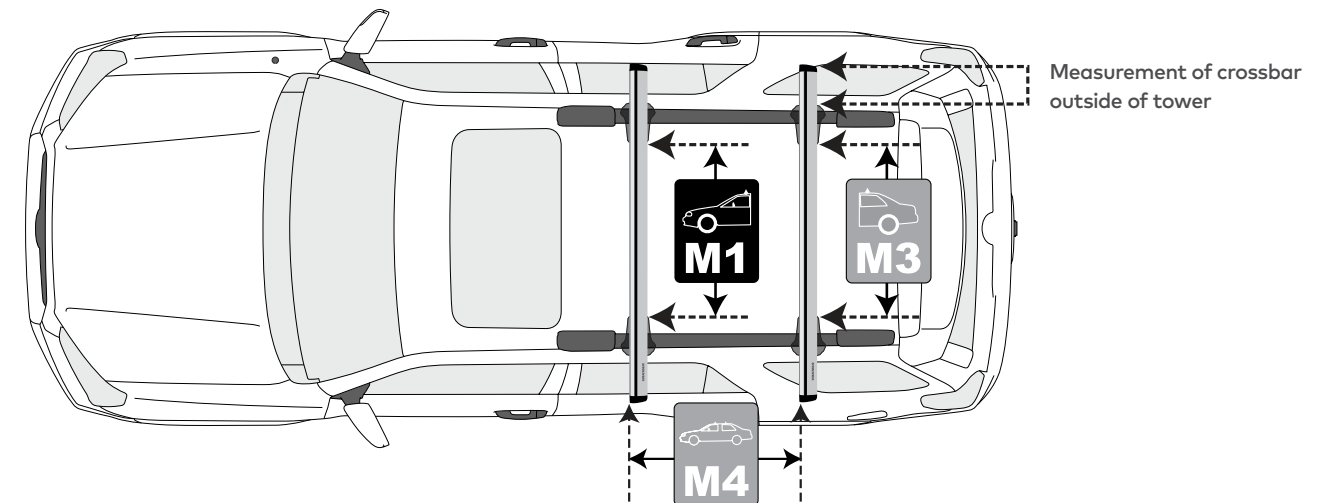
Vehicle's crossbar spread (M4) must be between 26" and 40.5" when mounting the tent to open to the side of the vehicle, and must be between 26" and 34.5" when mounting the tent to open to the rear of the vehicle.

Do not use SkyRise with factory crossbars; they are too flexible.

The roof rack bars must have a minimum of 26" between the towers (M1 & M3). If not, there must be at least 3.75" of crossbar extending outside the tower (see Figure 3), and do not position mounting hardware more than 1" away from the outside of the tower.

The maximum distance from top of crossbar to ground: SkyRise Small = 86", SkyRise Medium = 98"

ROOF RACK BARS (FIG. 3)



OTHER INSTALLATIONS

Truck Canopies / Topper / Shells / Truck Bed Covers — Truck caps/shells and these other products are a great way, and one of our favorite ways, to carry outdoor gear. Truck caps + the SkyRise certainly make a great couple but like any relationship, it's at your own risk. Please contact the truck cap manufacturer for their recommendation and options for carrying rooftop tents on the customer's truck cap.

Non-Yakima Roof Racks — At Yakima, customer safety is our number one priority. While we highly respect all the players in the game, we cannot certify their roof racks. Please contact the roof rack manufacturer for their recommendation on carrying rooftop tents.

Custom-Installed Roof Racks — Custom installation can be a secure method to install a roof rack to an adventure-mobile. Due to the variety of applications, we cannot certify specific custom roof rack installations for the SkyRise tent. This includes custom-installed Landing Pads and tracks onto the vehicle's roof. Please contact the manufacturer of the vehicle for their recommendation and options for carrying rooftop tents.

IMPORTANT

Use the list above to evaluate the customer's vehicle and rack for use with the SkyRise tent. Any installation of a SkyRise tent to a vehicle and rack not listed as a Yakima Certified Fit is at the sole risk and responsibility of the owner / installer.

Discover other truck and SUV tents on our website.