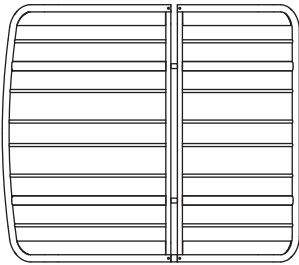
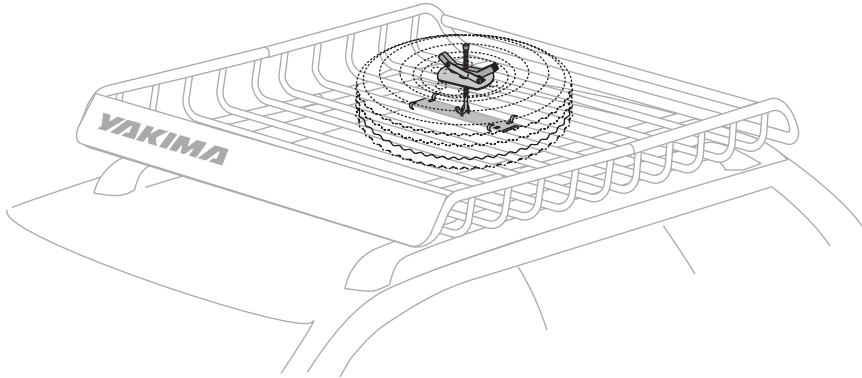


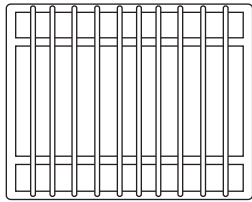
# YAKIMA

# Spare Tire Carrier

*Carries tire sizes up to 35" (outside diameter). Mounts inside any of Yakima's LoadWarrior, MegaWarrior, or OffGrid cargo baskets.*



OffGrid



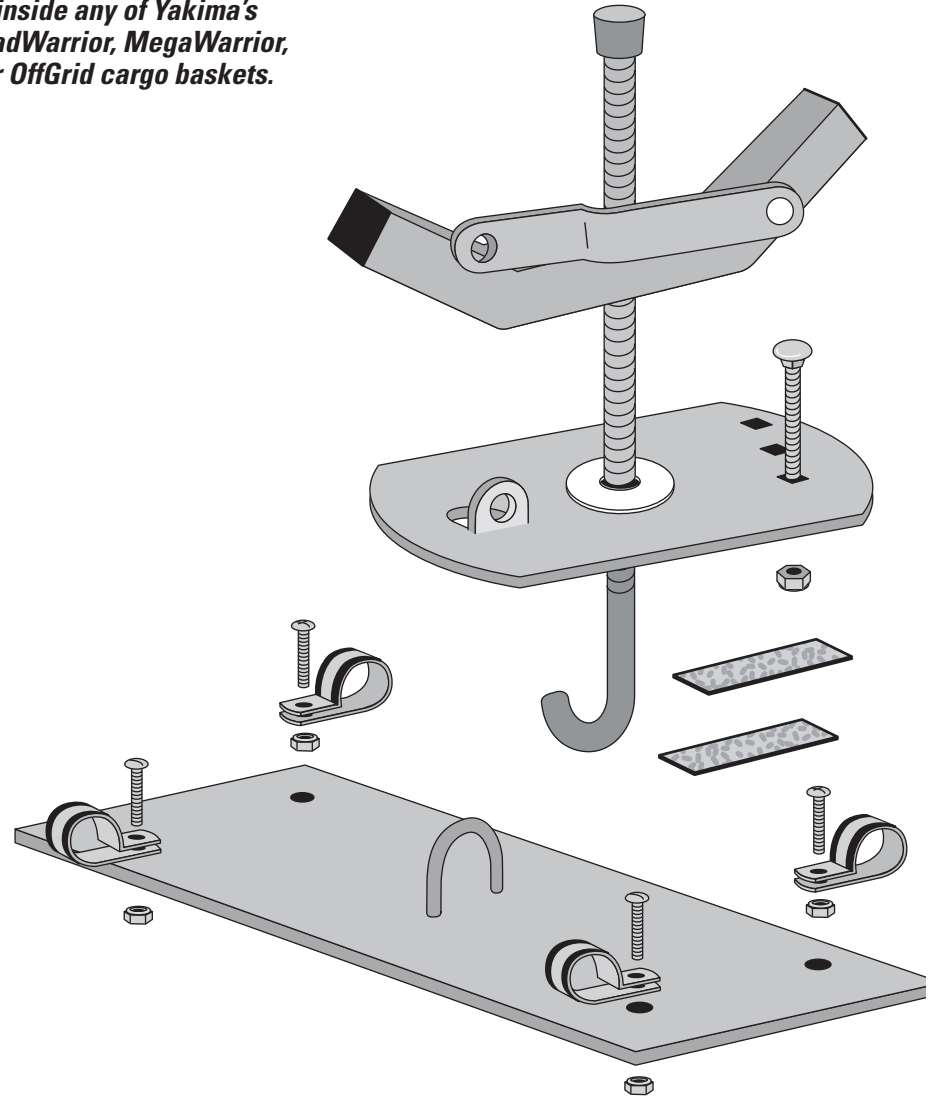
LoadWarrior



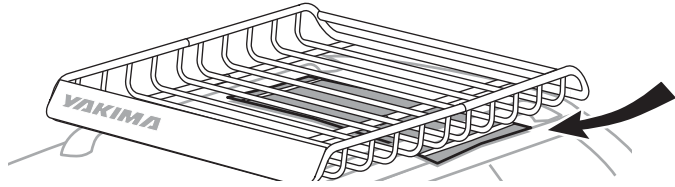
**RECOMMENDED TOOLS:**  
Screwdriver and adjustable wrench.



Accommodates lock styles with shackle diameter 1/4".



1

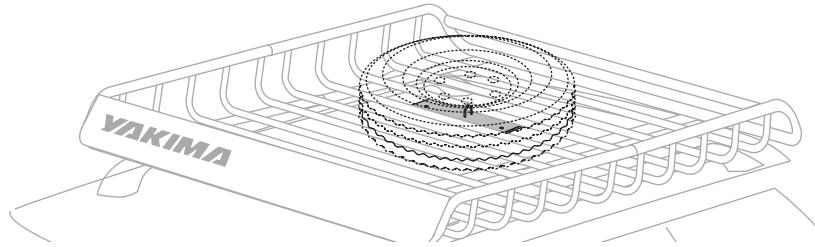


You may wish to protect vehicle during installation.  
Cover the roof with a soft cloth below the tire mounting activity.

US

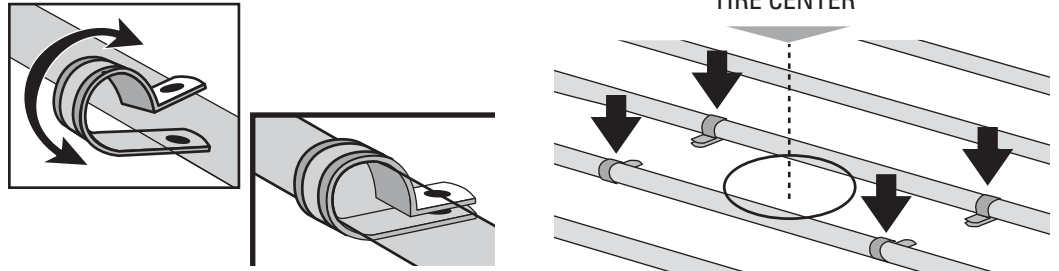
2

Determine tire position in basket. Note tire's center.



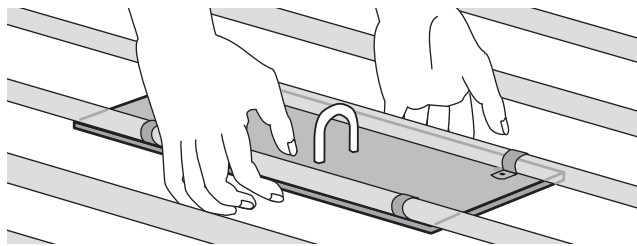
3

Pry apart the plate clips, attach two per bar.



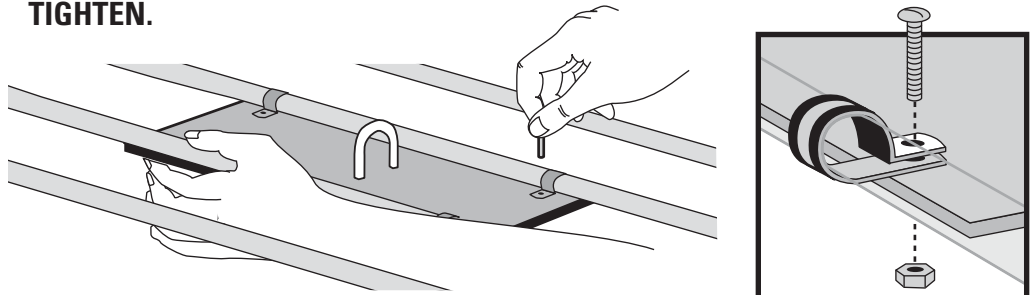
4

Position large plate beneath the basket so that loop will be at the tire's center.



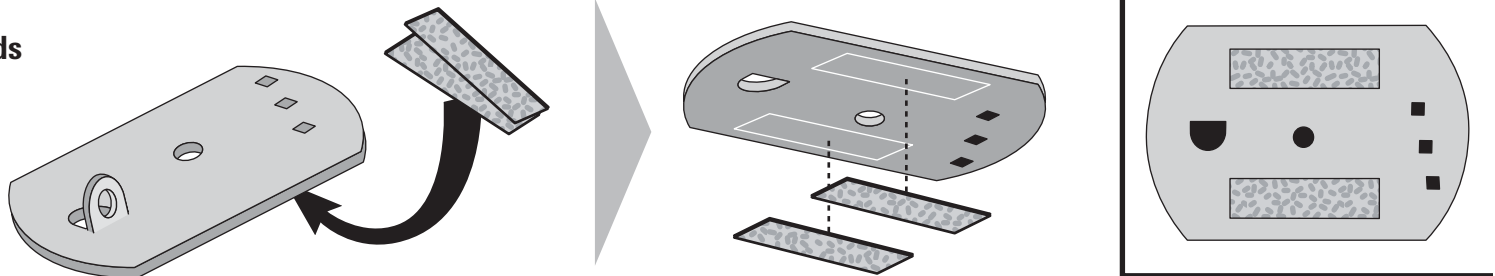
5

Holding the plate against the bars, insert bolts and attach nuts. TIGHTEN.

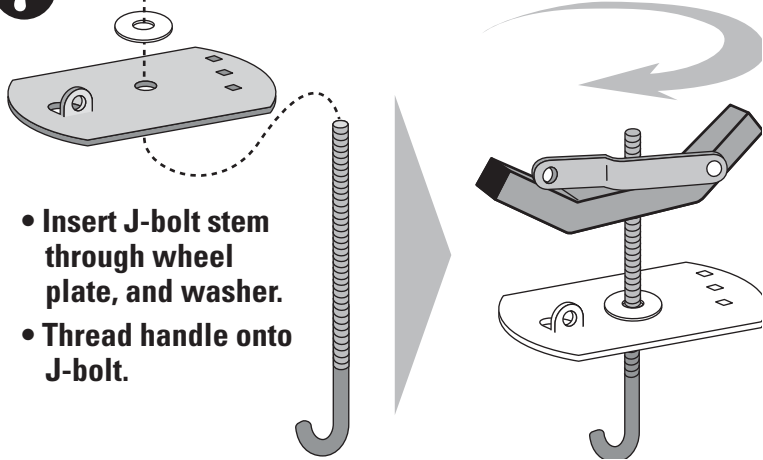


6

**WHEEL PLATE:**  
Apply protective pads to bottom of plate where the wheel makes contact.

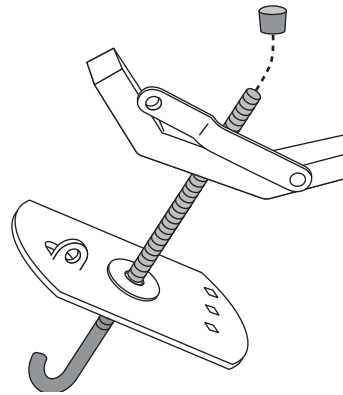


**7** HANDLE ASSEMBLY:

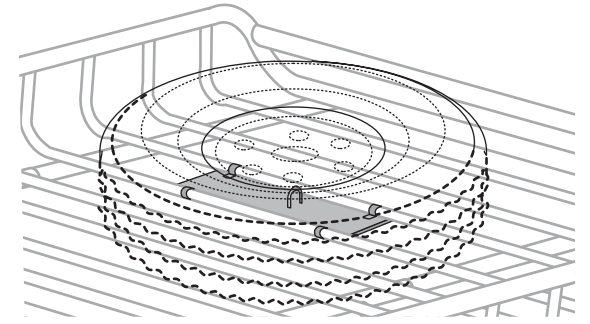


- Insert J-bolt stem through wheel plate, and washer.
- Thread handle onto J-bolt.

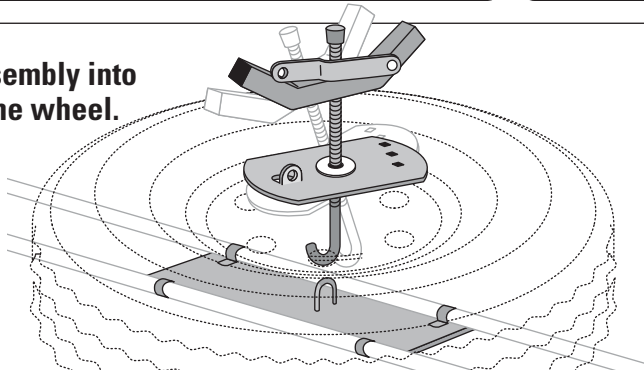
**8** Attach the plastic cap to the thread-end of the J-bolt,



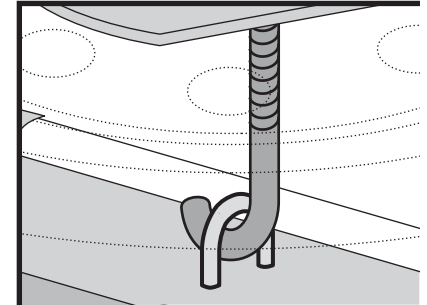
**9** Load the tire into the basket so that **INSIDE** of wheel faces upward. Center tire over anchor plate.



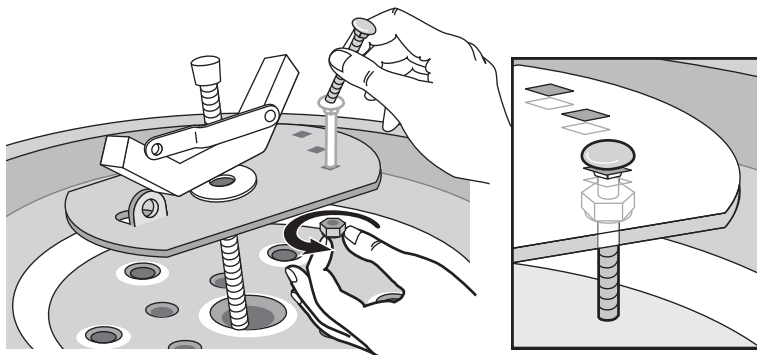
**10** Set handle assembly into the center of the wheel.



**11** Hook the loop in the center of the anchor plate.



**12** Insert the carriage bolt into the square hole which best aligns to any hole in the wheel. Tighten the nut completely until it stops against the wheel plate.



**13** Tighten the handle until there is slight resistance.

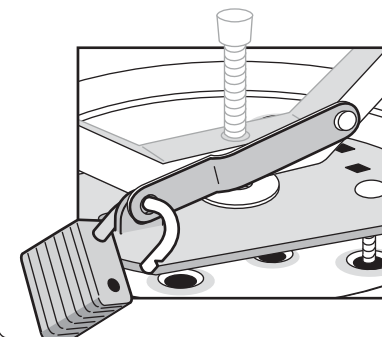
- Make **ONE MORE FULL TURN.**
- *Align tabs if you are using a lock.*



**DO NOT OVERTIGHTEN**

**14** *Lock the tire to the rack.*

With your own lock, pass the shackle through the tabs.





### **MAINTENANCE**

Use non-water soluble lubricant on bolts.

Use a soft cloth with water and mild detergent to clean plastic parts.

**NOT RECOMMENDED FOR USE WITH  
DRIVE THROUGH CAR WASHES.**

---

### **WARNING**

*Attachment hardware can loosen over time. Check before each use, and tighten if necessary. Failure to perform safety checks can result in property damage, personal injury, or death.*

---

**KEEP THESE INSTRUCTIONS!**

---