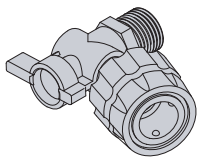


NOTE: RoadShower 7G shown throughout this instruction.

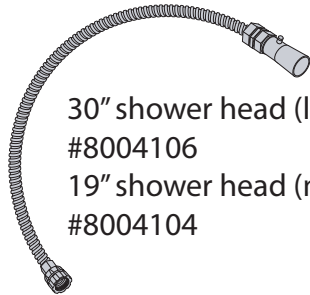
CONTENTS

RoadShower (1X)		accessory lock (2X)	
quick connector (hose) (1X)		nut (4X)	
quick connector (spigot) (1X)		thermometer (1X)	
hose (1X)		on/off elbow (1X)	
long carriage bolt (4X)		clamp (2X)	
		short carriage bolt (4X)	
		gasket (2X)	
		nozzle (1X)	
		key (2X)	
		washer (4X)	

AVAILABLE ACCESSORIES



On/Off Elbow
On/Off Elbow
On/Off Elbow
#8004103



30" shower head (large)
#8004106
19" shower head (medium)
#8004104

CROSSBAR SPREAD

RoadShower 4G/7G: 24"-50"
RoadShower 10G: 32"-80"

ROOF RACK LOAD LIMITS

RoadShower 4G: Racks with 100lb limit and higher
RoadShower 7G/10G: Racks with limit of 165lbs and up.



READ AND ADHERE TO THE WARNINGS: Safety warnings are affixed to the tank below the fill cap and air valve as an important reminder that you must adhere to those safety protocols when operating RoadShower™.



WARNING: Do not drink from the RoadShower.



WARNING: Do not leave water in the RoadShower™ during freezing temperatures as it could damage your unit. Do not put RV antifreeze in the unit! Make sure the tank is drained during freezing conditions.

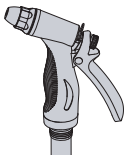


WARNING: Do not use an automated car wash with RoadShower™ installed. You must remove the RoadShower from your vehicle prior to entering an automated car wash to avoid damaging your vehicle and RoadShower.



WARNING: Check and tighten the mounting brackets periodically. In addition, always stop and check and tighten mounting brackets while driving on rough roads. Failure to do so could result on the RoadShower™ coming off your vehicle during a quick stop, a sharp turn, or an auto accident. This could result in damage to the RoadShower, your vehicle, other vehicles, injury, or death. We shall not be liable for any damage or injury caused by the RoadShower coming off of the vehicle.

Parking on a hill: If your vehicle is parked on a hill, it should be parked with the outlet on the downhill end, in order to use all the water. Each RoadShower™ comes with the option to add another outlet on the opposite end. This allows the hose to be moved to the outlet on the lowest end. You can attach a quick release to the hose and elbow for quickly moving the hose.



Spray Nozzle: The spray nozzle can be adjusted to a variety of spray patterns. Just rotate the tip of the nozzle to adjust the shower spray to the jet setting. If the tip is completely tight, no water will come out. You can also remove the nozzle and run water from the hose. Be sure to attach the nozzle prior to travel, be using the hose clip and velcro.

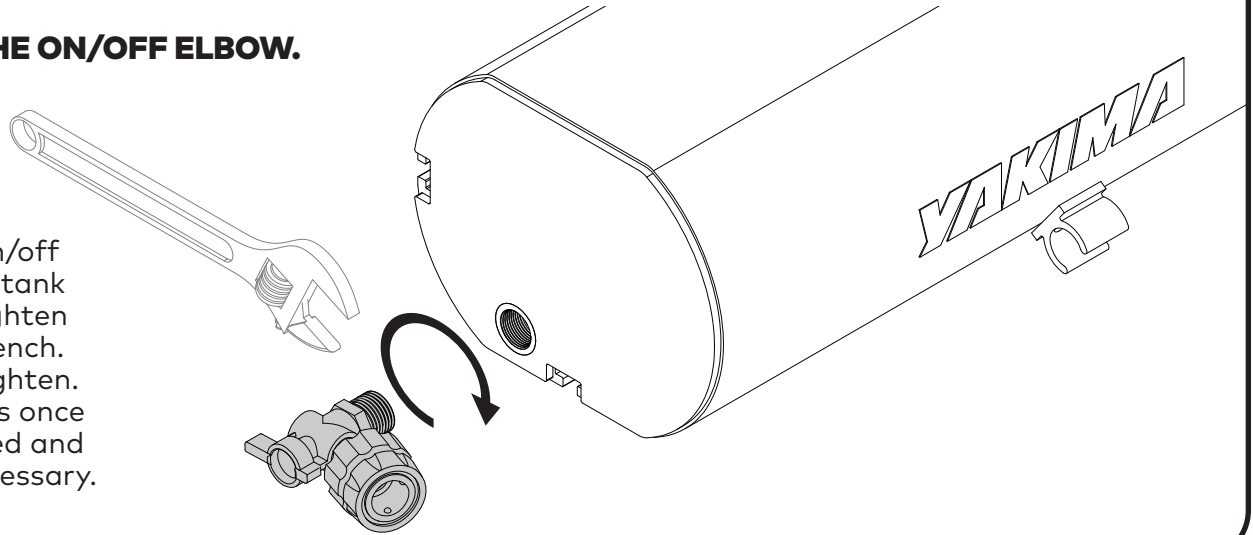
Maintenance: When storing, empty the tank completely. Store with the valve open, the hose, and fill cap off so it dries out. Tighten all screws, mounting hardware, and fittings on a regular basis. Clean the unit with soap and water.

Troubleshooting: If you have a leaking air valve use a schrader valve core tightening tool to tighten the valve. If you have leaks around the on/off valve uninstall the valve, apply thread seal tape, then reinstall the valve according to these instructions. **NOTE:** Periodically check inside of nozzle for hard water deposits and clean accordingly.

ASSEMBLY

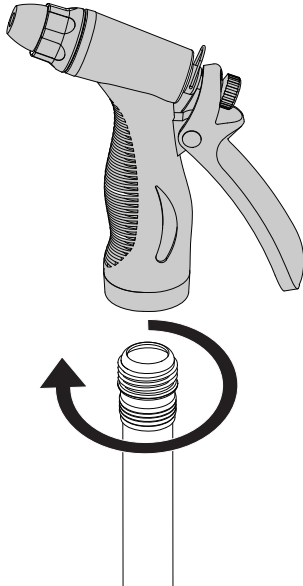
1 INSTALL THE ON/OFF ELBOW.

Install the on/off elbow to the tank and firmly tighten it using a wrench. Do not overtighten. Check for leaks once the tank is filled and retighten if necessary.



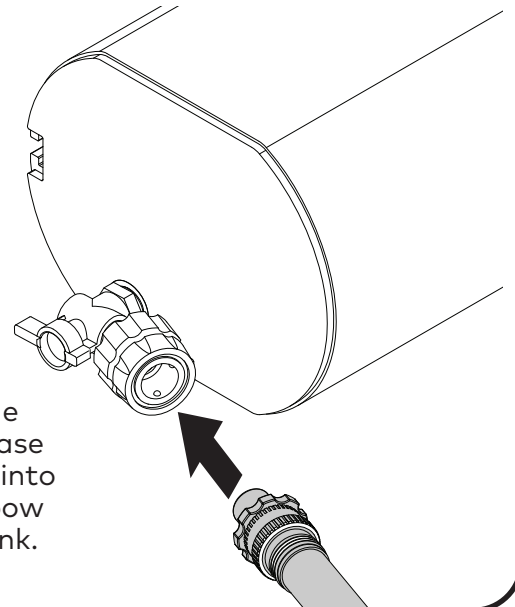
2 INSTALL THE NOZZLE.

Install the nozzle to the other end of the hose and firmly tighten (hand tighten only).



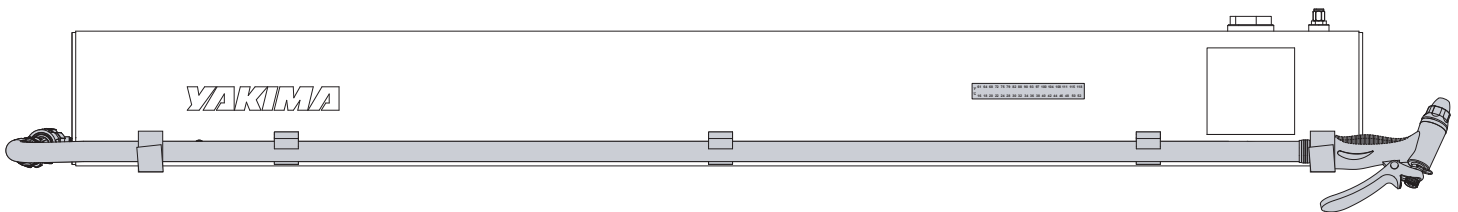
3 ATTACH THE HOSE TO SPIGOT.

Press the quick release connector into on/off elbow on the tank.



4 STOW THE HOSE AND APPLY THE THERMOMETER.

Snap the hose into the clips and use the velcro® straps to secure it in place. Then remove the backing from the adhesive of the thermometer and place the thermometer directly on the tank in the position of your choice.



Always check the thermometer and test the water on your hand to avoid being scalded.

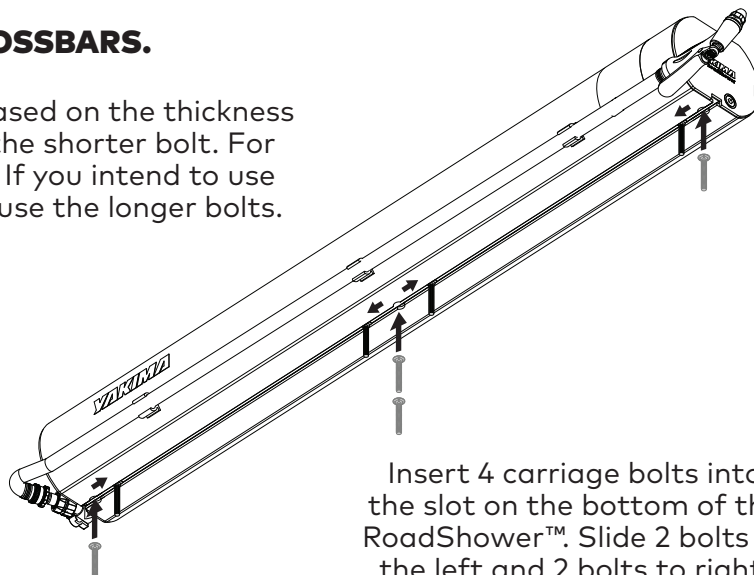
INSTALLATION

1 BOTTOM SLOT INSTALLATION ON CROSSBARS.

Determine which carriage bolt you will need based on the thickness of your crossbars. For thinner crossbars use the shorter bolt. For thicker crossbars use the longer bolts. **NOTE:** If you intend to use the included accessory locks (recommended) use the longer bolts.



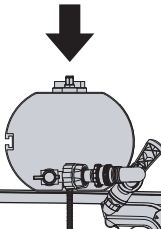
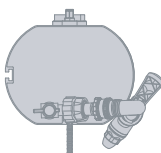
NOTE: Generally, RoadShower™ is installed using the bottom slot. The side slot on the RoadShower is only for custom installations. See page 7 for more information about custom installations.



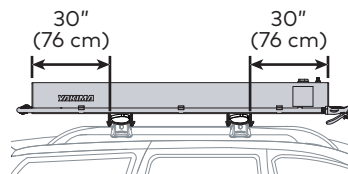
Insert 4 carriage bolts into the slot on the bottom of the RoadShower™. Slide 2 bolts to the left and 2 bolts to right.

2 POSITION THE ROADSHOWER™.

Set the RoadShower™ onto your crossbars inboard of the towers with the bolts straddling your crossbars.



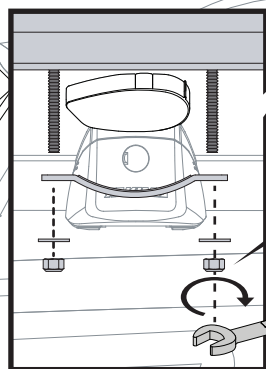
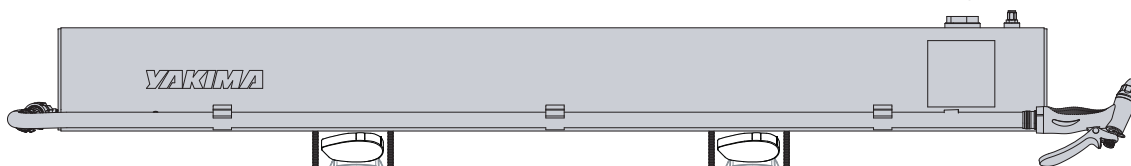
NOTE: The maximum overhang fore or aft of the front and rear crossbar is not to exceed 30" (76 cm).



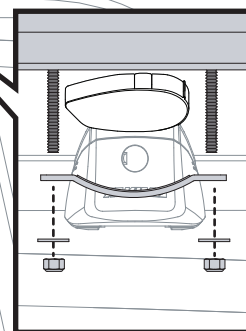
3 INSTALL THE CLAMPS.

Assemble the clamps around the crossbar as shown and use a 1/2" wrench to install the washers and nuts. Tighten completely to 2 Nm. Push and pull at the RoadShower to verify installation.

NOTE: Use of the included accessory locks are recommended. See page 7 for instructions.



2 Nm

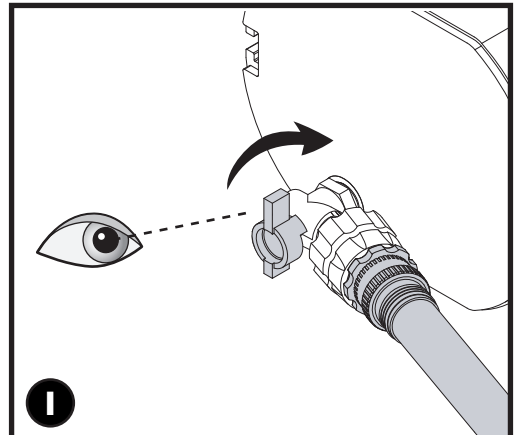
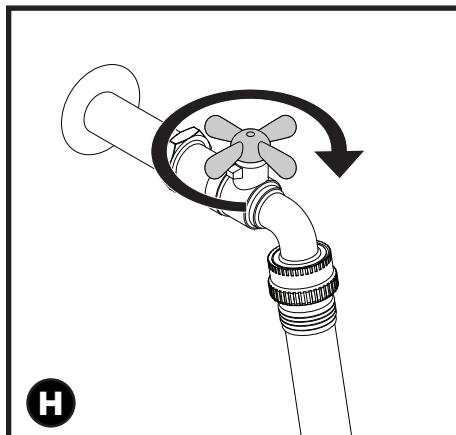
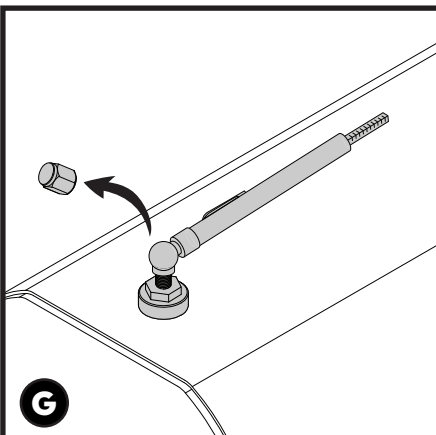
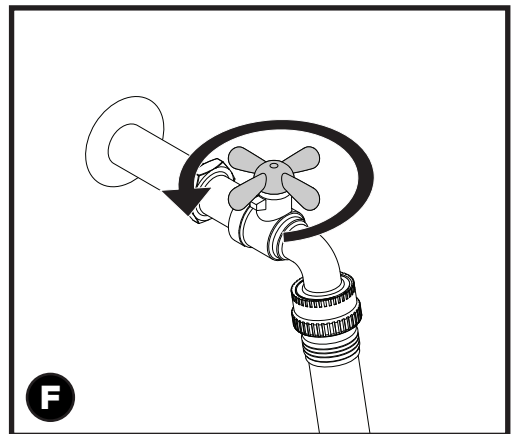
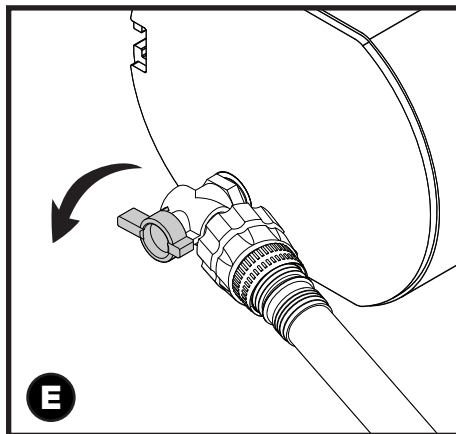
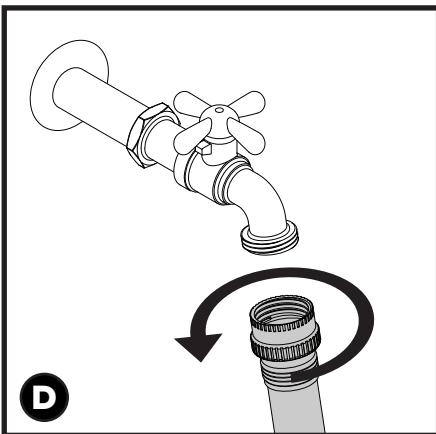
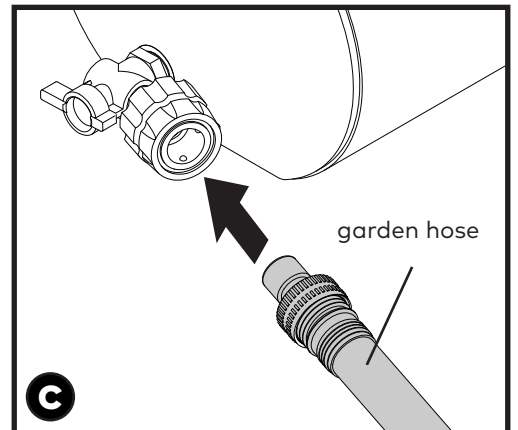
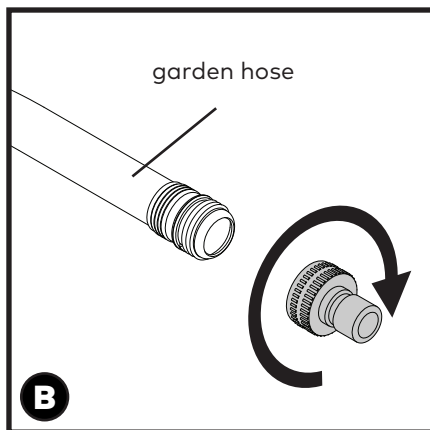
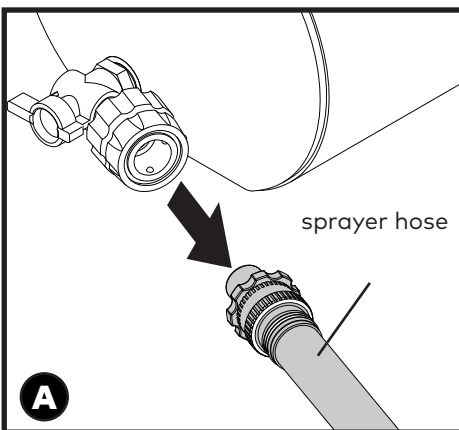


FILLING AND PRESSURIZING THE TANK

1 FILLING AND PRESSURIZING ROADSHOWER™ WITH A GARDEN HOSE.

NOTE: Clean the tank before using RoadShower™ for the first time. See page 2 for instructions to sanitize and clean the tank.

- A. Detach the sprayer hose from the tank by releasing the quick release connector.
- B. Attach the quick release fitting onto your garden hose.
- C. Attach the garden hose to the tank using the quick release connector.
- D. Attach the other end of the garden hose to a water supply.
- E. Open the valve on the tank.
- F. Open the valve on the water supply to begin filling. It will take a few minutes to fill the tank.
- G. Remove the air valve cap and use a tire pressure gauge to check the pressure at the air valve.
- H. When the pressure reaches 50-65 PSI turn off the water supply and replace the air valve cap.
- I. Close the tank valve, remove the garden hose, and reconnect the sprayer hose. **NOTE:** Be sure the valve is fully closed before removing the garden hose!

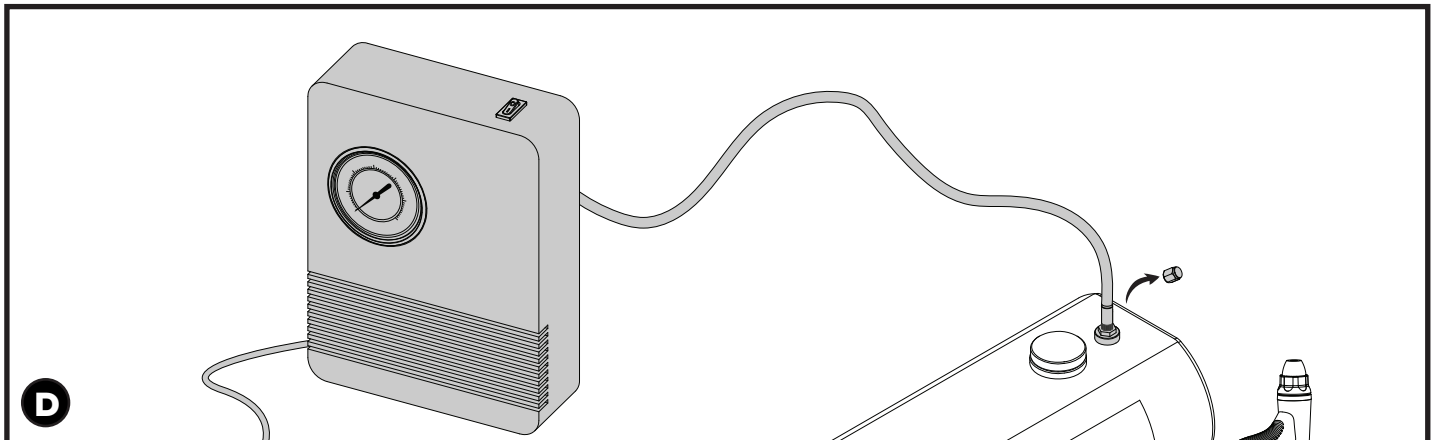
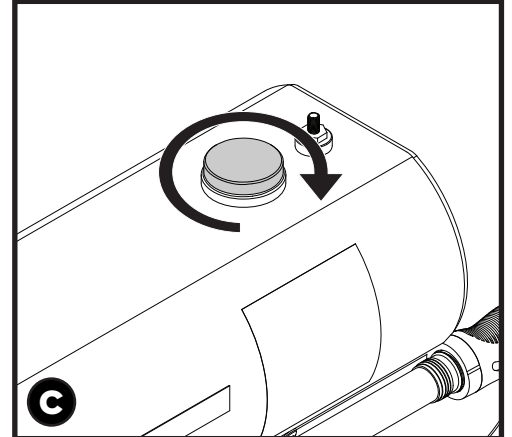
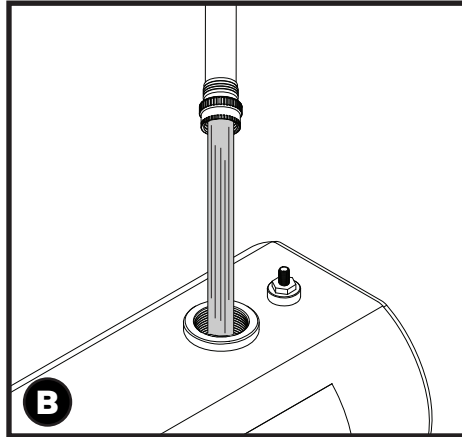
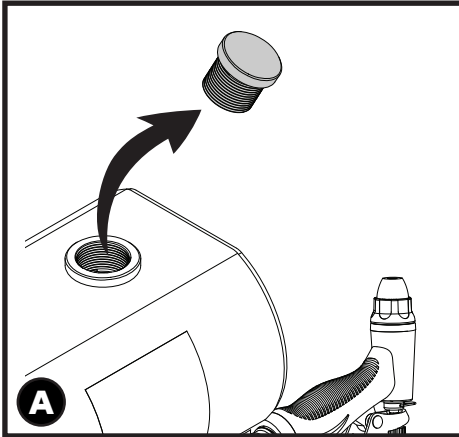


2 FILLING THE TANK AND PRESSURIZING WITH A PUMP.

- A. Remove the fill cap from the tank.
- B. Fill the tank with clean water.
- C. Replace the fill cap.
- D. Remove the air valve cap and connect a pump to the air valve. You may use a 12 volt tire compressor, or other suitable pump. Pressurize the tank to 55-65 PSI then replace the air valve cap.



WARNING: This product releases pressure at a target of 55-65 PSI. If the pressure relief valve on the fill cap is damaged or altered, the RoadShower™ could explode and cause injury or death. Check the pressure while pumping air and never pressurize greater than 65 PSI. If the pressure is not released before it reaches 75 PSI, the fill cap should be replaced.



3 HEATING THE WATER.

The RoadShower™ will heat water on a warm and sunny day. The sun heats the black surface of the tank and the aluminum transfers the heat to the water. The water heats up as long as the tank is receiving sunlight. The water temperature will rise approximately 10-15 degrees per hour depending on the conditions of your environment. If your water temperature starts at 60 degrees, for example, it might be 90+ in about 2-3 hours. In general, the water will be about 20-30 degrees warmer than the ambient temperature on a sunny day.



WARNING: Test the water on your hand for about 10 seconds. Remove your hand before the water gets hot enough to scald you. Keep in mind that the water in the tank is likely hotter than the water in the hose. Also, check the thermometer. The highest reading is 118 degrees Fahrenheit, so if there is no reading the water may be too hot. If the water is too hot, you can add some cool water via the fill cap (release pressure first) or wait until it cools off naturally.

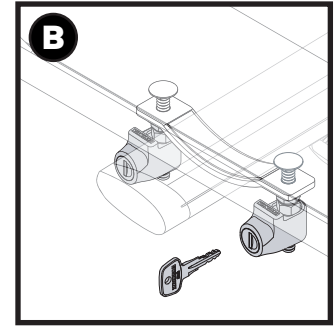
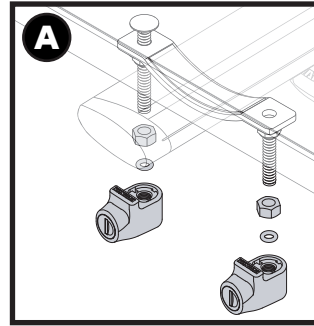
OPTIONAL: ACCESSORY LOCK

- A. To install your accessory lock choose either the front or rear crossbar then thread the nuts on the carriage bolts, slide the o-ring onto the carriage bolts, and screw the lock on until it contacts the clamp.
- B. Use a key to lock the accessory lock.

Record Your Key Number:

(located on the set of locking keys)

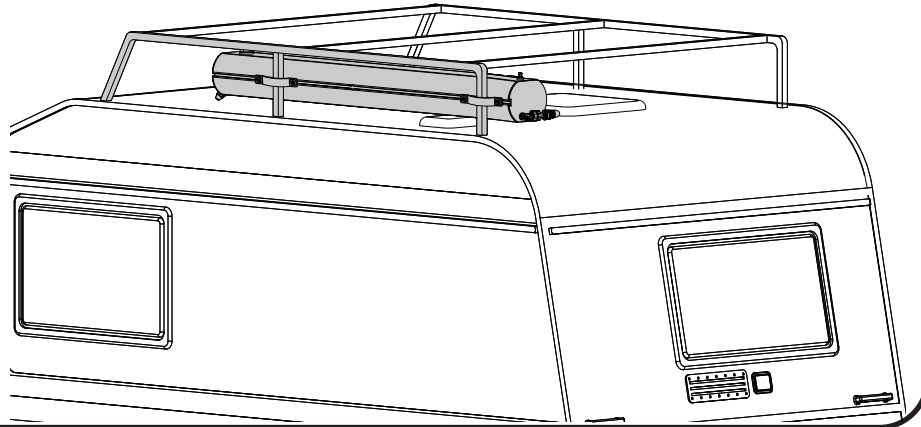
--	--	--	--



CUSTOM INSTALLATIONS



WARNING: The side slot is an option for custom installations on vehicles and racks. It is the sole responsibility of the customer to ensure that their structure can support the RoadShower™ and the weight of the unit when filled with water. Yakima recommends using more than two clamps to ensure safe installation using the side slot.



IMPORTANT WARNINGS

Rack Installation

Inadequately secured loads and incorrectly mounted roof racks and accessory racks can come loose during travel and cause serious accidents! Therefore, installation, handling and use must be carried out in accordance with product and vehicle instructions.

In addition to these instructions, review the mounting instructions for the roof rack and the operating instructions of the vehicle.

These instructions should be kept together with the vehicle's operating instructions and carried in the vehicle when in use and en route.

For your own safety, you should only use roof racks that are authorized for use with your vehicle.

For roof racks that do not specify the distance between the front and rear crossbars, the distance shall be at least 700 mm or as large as possible. Please note that changes (e.g. additional drill holes) to the accessory rack's attachment system are not permissible.

Check attachment hardware and load for tight fit and function:

- Before the start of any journey.
- After driving a short distance following rack or load install.
- At regular intervals on longer journeys.
- More frequently on rough terrain.
- After interruption of a journey during which the vehicle was left unsupervised (check for damage due to outside intervention).

Rack Loading

Do not exceed the maximum load specified for the roof rack, accessory rack or the maximum load recommended by the vehicle manufacturer.

Max Roof Load = weight of roof rack + weight of accessory racks + weight of load.

Load shall be uniformly distributed with the lowest possible center of gravity.

Load should not substantially extend beyond the loading surface of the roof rack.

Vehicle Driving and Regulations

The speed driven must be suited to the load transported and to official speed limits. In the absence of any speed limits, we recommend a maximum speed of 80 mph (130 km/h).

When transporting any load, the speed of the vehicle must take into account all conditions such as the state of the road, the surface of the road, traffic conditions, wind, etc. Vehicle handling, cornering, braking and sensitivity to side winds will change with the addition of roof top loads.

If this product is off-road certified, it is designed and intended to be used on forest service roads, access roads or other non-technical terrains at moderate speeds. It is not to be used while rock-crawling, jumping, bogging, or other technical off-road terrains. When using off-road certified products with non-off-road certified products, always follow the warnings and restrictions stated in the non-off-road certified product instructions.

Maintenance

The accessory rack should be carefully cleaned and maintained, particularly during the winter months. Use only a solution of water and standard car wash liquid without any alcohol, bleach or ammonium additives.

For reasons of fuel economy and the safety of other road users, the accessory rack and roof rack should be removed when not in use.

Periodically inspect accessory rack for damage. Replace lost, damaged or worn parts. Use only original spare parts obtained from a stocking specialist, dealer or manufacturer.

Any changes made to the roof racks and accessory racks as well as the use of spare parts or accessories other than those supplied by the manufacturer will lead to the lapsing of the manufacturer's warranty and liability for any material damage or accidents. You should observe these instructions to the letter and only use the original parts supplied.

