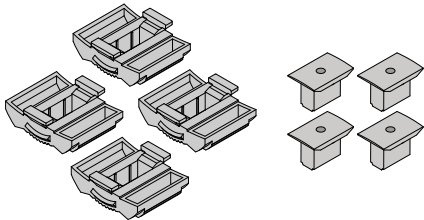
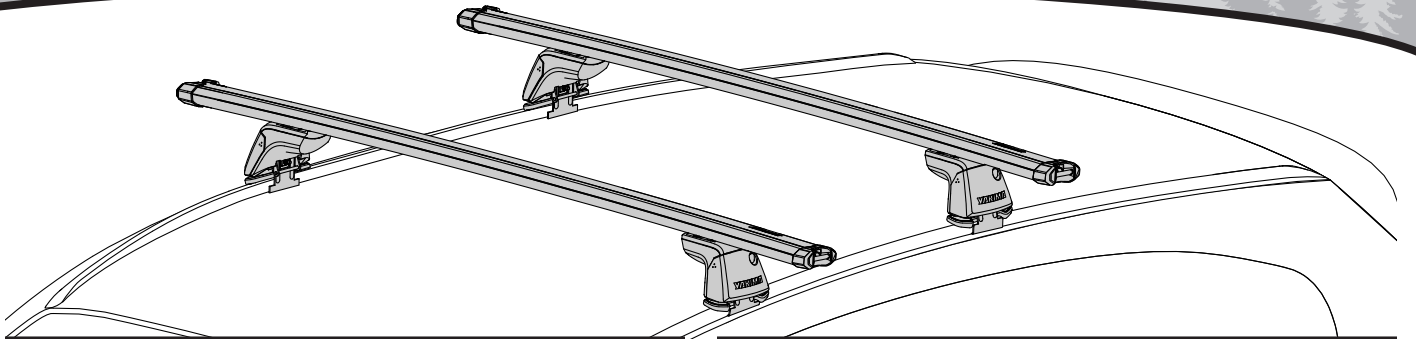


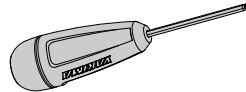
YAKIMA®

HD BAR SL ADAPTER



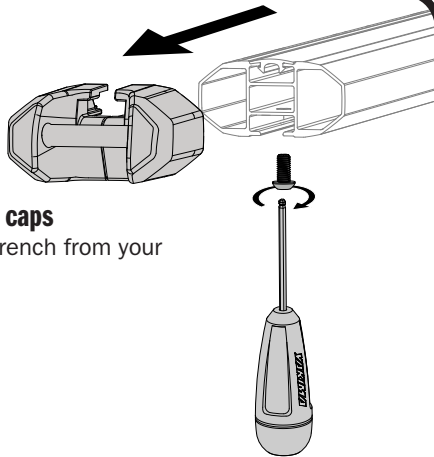
CONTENTS

TOOLS REQUIRED:



4 mm torque wrench

1



Remove the end caps

Use the 4mm wrench from your towers.

4X

2

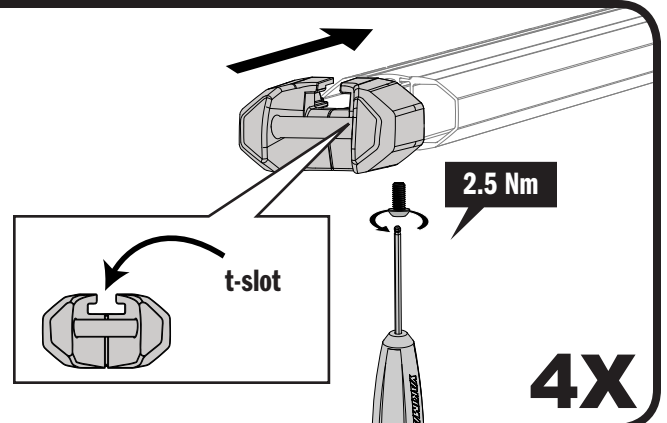
Complete HD Bar Adapter installation

Continue with your roof rack tower installation. If your tower instructions do not include HD Bar specifics, follow JetStream Bar assembly and installation.

3

Re-install the end caps

With the rack system installed, install the end caps with the t-slot facing up. Tighten the screws to 2.5Nm.



4X