



TAKE IT EASY.

Hitch Fitting Tips

ENSURING THE PERFECT FIT ON A HITCH RECEIVER

THINGS YOU WILL NEED:



FIRST

Determine Hitch Class and Size

Our hitch racks are designed and tested to work in Class I, II, III, & IV receivers; we DO NOT fit Class V receivers.

To figure out which class your receiver falls into check the sticker on the side of the receiver. If there is no sticker present and the hitch came pre-installed, check the vehicle owner's manual under "Towing". Otherwise you can check with the dealership or manufacturer.

| HITCH | SIZE |
|-----------|---------|
| Class I | 1.25" |
| Class II | 1.25/2" |
| Class III | 2" |
| Class IV | 2" |

You will also need to determine what size hitch receiver you have. It will either be 2" wide or 1.25" wide. Measure the opening of the receiver.

NEXT

Use the Chart on the Back to Match Products

Use the chart on the back of this sheet to determine what products are compatible with your hitch Class receiver.

LAST

Follow Fit Measurements

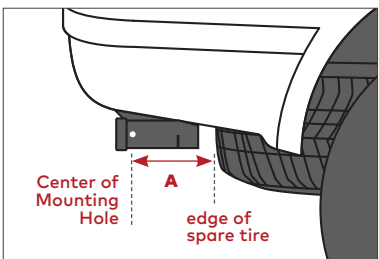
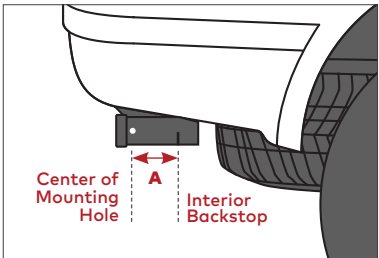
Because hitch receivers can be installed to the vehicle in many different ways it is important to check the provided fit measurements for compatibility. Find the products that fit your Class receiver and locate the A,B,C, and D, measurements that associate with the product.

FIT MEASUREMENT CHART ON BACK SIDE

| PRODUCTS | HITCH MEASUREMENTS | | | | | CLASS COMPATIBILITY | | | | NOTES |
|-------------------|--------------------|--------------|--------------|----------|-------------|---------------------|----------|-----------|----------|---|
| | A | B | C | D | E | Class I | Class II | Class III | Class IV | |
| OnRamp™ 2" | 3" Min. | 5 1/8" Max. | 5 1/8" Max. | 10 ★ | 1.5" Min. | No | No | Yes | Yes | HITCH MEASUREMENTS ★ Measurement D is a recommended minimum on this product. Using Yakima Hitch mounted bikes racks on vehicles with a pinhole to ground distance less than the minimum recommended increases the risk of the bikes or rack striking the ground while in use. CLASS ● Due to variations in Class I hitch receivers, some Class I receivers may not be able to accept this product. Please refer to Fit measurement "A" to see if this product will work on your class I. Some Class II hitches can have a 2" receiver opening depending on manufacturers, it is important to know your hitch class first, before purchasing any hitch accessories.* |
| OnRamp™ 1.25" | 2" Min. | 6 1/4" Max. | 6 1/4" Max. | 10 ★ | 1.5" Min. | ● | Yes | No | No | |
| Hangver 6™ | 3" Min. | 8" Max. | 13" Max. | 12" Min. | 1.5" Min. | No | No | Yes | Yes | |
| HangOver™ 4 | 3" Min. | 8" Max. | 13" Max. | 10" Min. | 1.5" Min. | No | No | Yes | Yes | |
| BackSwing™ | 2 7/8" Min. | 8 1/4" Max. | 6 1/2" Max. | 10 ★ | 1.5" Min. | No | No | Yes | Yes | |
| Dr.Tray™ 1.25" | 3 3/4" Min. | 6 1/4" Max. | 9" Max. | 10 ★ | 2.375" Min. | No | Yes | No | No | |
| Dr.Tray™ 2" | 2 7/8" Min. | 6 1/2" Max. | 9" Max. | 10 ★ | 1.5" Min. | No | No | Yes | Yes | |
| HoldUp™ 1.25" | 2" Min. | 9 1/2" Max. | 10 1/2" Max | 10 ★ | 1.5" Min. | No | Yes | No | No | |
| HoldUp™ 2" | 2 7/8" Min. | 9" Max. | 9 3/4" Max. | 10 ★ | 1.5" Min. | No | No | Yes | Yes | |
| HoldUp™ EVO 1.25" | 3" Min. | 5" Max. | 8 1/2" Max. | 10 ★ | 2.375" Min. | No | Yes | No | No | |
| HoldUp™ EVO 2" | 3" Min. | 5" Max. | 8 1/2" Max. | 10 ★ | 1.5" Min. | No | No | Yes | Yes | |
| SingleSpeed™ | 1 5/8" Min. | 7 3/4" Max | 12" Max. | 10 ★ | 2.75" Min. | ● | Yes | Yes | Yes | |
| FullSwing™ | 3" Min. | 8 3/4" Max. | 6 3/4" Max. | 10 ★ | 1.5" Min. | No | No | Yes | Yes | |
| SwingDaddy™ | 3" Min. | 6 1/2" Max. | 6 3/4" Max. | 10 ★ | 1.5" Min. | No | No | Yes | Yes | |
| FourTimer™ | 2 3/4" Min. | 13 3/8" Max. | 14 1/2" Max. | 10 ★ | 1.5" Min. | No | No | Yes | Yes | |
| TwoTimer™ | 1 7/8" Min. | 12 1/2" Max. | 12 1/2" Max. | 10 ★ | 2" Min. | ● | Yes | Yes | Yes | |
| FullTilt™ 4/5 | 1 3/8" Min. | 9 1/2" Max. | 9 3/4" Max. | 10 ★ | 2.5" Min. | ● | Yes | Yes | Yes | |
| LongHaul™ | 3 1/8" Min. | 4 3/8" Max. | 4 1/2" Max. | 10 ★ | 1.5" Min. | No | No | Yes | Yes | |
| RoadTrip™ | 2 7/8" Min. | 4 3/8" Max. | 10 1/4" Max. | 10 ★ | 1.5" Min. | No | No | Yes | Yes | |
| RidgeBack™ 2/4/5 | 1 1/2" Min. | 7 1/2" Max. | 10" Max. | 10 ★ | 1.5" Min. | ● | Yes | Yes | Yes | |
| LiteRider™ 2/3 | 2 3/4" Min. | 9" Max. | 9" Max. | 10 ★ | 2.75" Min. | ● | Yes | Yes | Yes | |
| BackRoad™ | 2" Min. | 8 7/8" Max. | 8 7/8" Max. | 10 ★ | 1.5" Min. | ● | Yes | Yes | Yes | |
| DoubleDown™ | 2" Min. | 9 1/8" Max. | 9" Max. | 10 ★ | 2" Min. | ● | Yes | Yes | Yes | |
| LongArm™ | 2 3/4" Min. | 8 1/2" Max. | 10" Max. | 10 ★ | 1.5" Min. | No | No | Yes | Yes | |

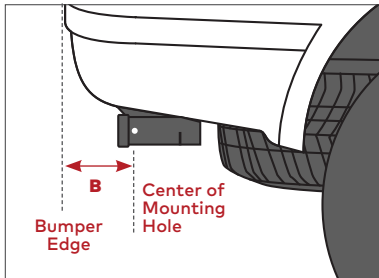
MEASUREMENT A

An obstacle inside or behind the hitch can be present.



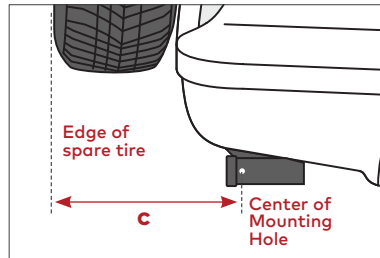
MEASUREMENT B

Make sure the bumper will not interfere with the hitch rack.

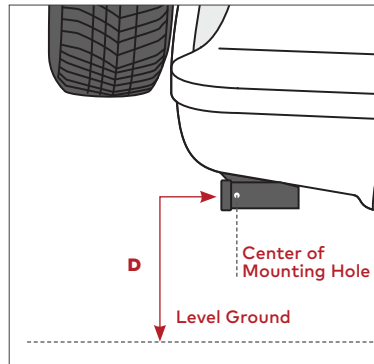


MEASUREMENT C

A spare-tire may interfere with the install of a rack.



MEASUREMENT D



MEASUREMENT E

