



TAKE IT EASY.

Hitch Fitting Tips

ENSURING THE PERFECT FIT ON A HITCH RECEIVER

THINGS YOU WILL NEED:



FIRST

Determine Hitch Class and Size

Our hitch racks are designed and tested to work in Class I, II, III, & IV receivers; we DO NOT fit Class V receivers.

To figure out which class your receiver falls into check the sticker on the side of the receiver. If there is no sticker present and the hitch came pre-installed, check the vehicle owner's manual under "Towing". Otherwise you can check with the dealership or manufacturer.

HITCH	SIZE
Class I	1.25"
Class II	1.25/2"
Class III	2"
Class IV	2"

You will also need to determine what size hitch receiver you have. It will either be 2" wide or 1.25" wide. Measure the opening of the receiver.

NEXT

Use the Chart on the Back to Match Products

Use the chart on the back of this sheet to determine what products are compatible with your hitch Class receiver.

LAST

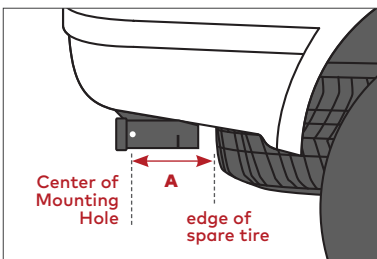
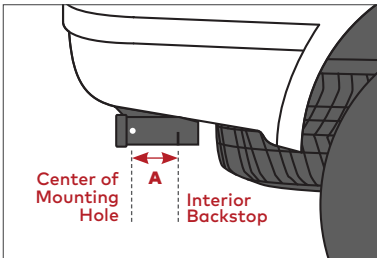
Follow Fit Measurements

Because hitch receivers can be installed to the vehicle in many different ways it is important to check the provided fit measurements for compatibility. Find the products that fit your Class receiver and locate the A,B,C, and D, measurements that associate with the product.

PRODUCTS	HITCH MEASUREMENTS					CLASS COMPATIBILITY				NOTES
	A	B	C	D	E	Class I	Class II	Class III	Class IV	
OnRamp™ 2"	3" Min.	5 1/8" Max.	5 1/8" Max.	10 ★	1.5" Min.	No	No	Yes	Yes	HITCH MEASUREMENTS ★ Measurement D is a recommended minimum on this product. Using Yakima Hitch mounted bikes racks on vehicles with a pinhole to ground distance less than the minimum recommended increases the risk of the bikes or rack striking the ground while in use. CLASS ● Due to variations in Class I hitch receivers, some Class I receivers may not be able to accept this product. Please refer to Fit measurement "A" to see if this product will work on your class I. Some Class II hitches can have a 2" receiver opening depending on manufacturers, it is important to know your hitch class first, before purchasing any hitch accessories.*
OnRamp™ 1.25"	2" Min.	6 1/4" Max.	6 1/4" Max.	10 ★	1.5" Min.	●	Yes	No	No	
Hangver 6™	3" Min.	8" Max.	13" Max.	12" Min.	1.5" Min.	No	No	Yes	Yes	
HangOver™ 4	3" Min.	8" Max.	13" Max.	10" Min.	1.5" Min.	No	No	Yes	Yes	
BackSwing™	2 7/8" Min.	8 1/4" Max.	6 1/2" Max.	10 ★	1.5" Min.	No	No	Yes	Yes	
Dr.Tray™ 1.25"	3 3/4" Min.	6 1/4" Max.	9" Max.	10 ★	2.375" Min.	No	Yes	No	No	
Dr.Tray™ 2"	2 7/8" Min.	6 1/2" Max.	9" Max.	10 ★	1.5" Min.	No	No	Yes	Yes	
HoldUp™ 1.25"	2" Min.	9 1/2" Max.	10 1/2" Max	10 ★	1.5" Min.	No	Yes	No	No	
HoldUp™ 2"	2 7/8" Min.	9" Max.	9 3/4" Max.	10 ★	1.5" Min.	No	No	Yes	Yes	
HoldUp™ EVO 1.25"	3" Min.	5" Max.	8 1/2" Max.	10 ★	2.375" Min.	No	Yes	No	No	
HoldUp™ EVO 2"	3" Min.	5" Max.	8 1/2" Max.	10 ★	1.5" Min.	No	No	Yes	Yes	
SingleSpeed™	1 5/8" Min.	7 3/4" Max	12" Max.	10 ★	2.75" Min.	●	Yes	Yes	Yes	
FullSwing™	3" Min.	8 3/4" Max.	6 3/4" Max.	10 ★	1.5" Min.	No	No	Yes	Yes	
SwingDaddy™	3" Min.	6 1/2" Max.	6 3/4" Max.	10 ★	1.5" Min.	No	No	Yes	Yes	
FourTimer™	2 3/4" Min.	13 3/8" Max.	14 1/2" Max.	10 ★	1.5" Min.	No	No	Yes	Yes	
TwoTimer™	1 7/8" Min.	12 1/2" Max.	12 1/2" Max.	10 ★	2" Min.	●	Yes	Yes	Yes	
FullTilt™ 4/5	1 3/8" Min.	9 1/2" Max.	9 3/4" Max.	10 ★	2.5" Min.	●	Yes	Yes	Yes	
LongHaul™	3 1/8" Min.	4 3/8" Max.	10 1/4" Max.	10 ★	1.5" Min.	No	No	Yes	Yes	
RoadTrip™	2 7/8" Min.	4 3/8" Max.	10 1/4" Max.	10 ★	1.5" Min.	No	No	Yes	Yes	
RidgeBack™ 2/4/5	1 1/2" Min.	7 1/2" Max.	10" Max.	10 ★	1.5" Min.	●	Yes	Yes	Yes	
LiteRider™ 2/3	2 3/4" Min.	9" Max.	9" Max.	10 ★	2.75" Min.	●	Yes	Yes	Yes	
BackRoad™	2" Min.	8 7/8" Max.	8 7/8" Max.	10 ★	1.5" Min.	●	Yes	Yes	Yes	
DoubleDown™	2" Min.	9 1/8" Max.	9" Max.	10 ★	2" Min.	●	Yes	Yes	Yes	
LongArm™	2 3/4" Min.	8 1/2" Max.	10" Max.	10 ★	1.5" Min.	No	No	Yes	Yes	

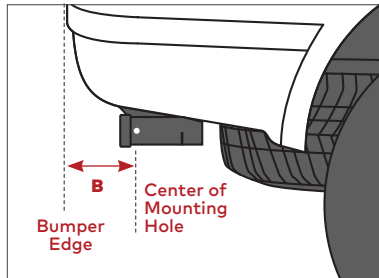
MEASUREMENT A

An obstacle inside or behind the hitch can be present.



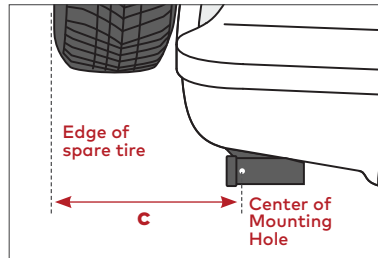
MEASUREMENT B

Make sure the bumper will not interfere with the hitch rack.

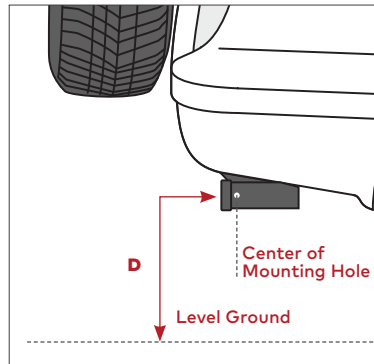


MEASUREMENT C

A spare-tire may interfere with the install of a rack.



MEASUREMENT D



MEASUREMENT E

