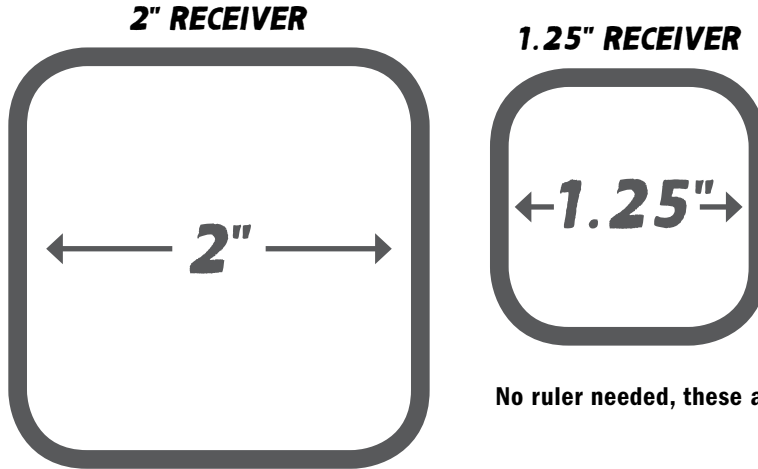


# HITCH TYPE & COMPATIBILITY



## 1 WHAT SIZE IS MY HITCH?



## 2 WHAT CLASS IS MY HITCH?

- Check the sticker on your hitch to determine its class.
- If there is no sticker, don't fear, we can still find the perfect hitch rack that will fit your car. If your receiver is 1.25" it is either a Class I or II. If it's 2" it is a Class III or IV. Choose a hitch rack that fits your receiver and then double-check the "Hitch Fit Tips" on the next page to ensure the proper fit.

## 3 DETERMINE WHAT STYLE HITCH RACK YOU WANT

### TILT



Holds bikes by the frame. Tilts down to provide rear-of-vehicle access.

**Capacity:** 2, 3, 4 or 5 bikes  
**Models:** FullTilt, LiteRider, RidgeBack, DoubleDown

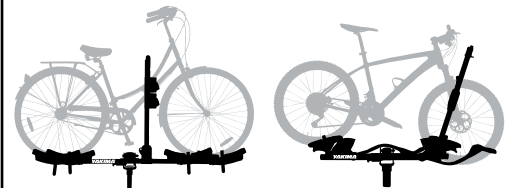
### SWING



Holds bikes by the frame and swings away with bikes loaded to provide rear-of-vehicle access.

**Capacity:** 4 bikes  
**Models:** FullSwing, SwingDaddy

### TRAY



Tray supports the bike's weight while a soft padded hook holds the bike by the wheels or frame. Tilts down with bikes loaded to provide rear-of-vehicle access.

**Capacity:** 2 or 4 bikes  
**Models:** HoldUp, HoldUp with +2, TwoTimer, FourTimer

# HITCH TYPE & COMPATIBILITY

## 4 CHOOSE YOUR HITCH RACK

	YAKIMA RACK	HITCH CLASS		
		I 1.25" HITCH WITH STOP	II 1.25" HITCH NO STOP	III/IV 2" HITCH
TILT	FullTilt 4/5	*	✓	✓
	RidgeBack 2/4/5	*	✓	✓
	LiteRider 2/3	*	✓	✓
SWING	FullSwing			✓
	SwingDaddy			✓
TRAY	HoldUp 2"			✓
	HoldUp 1.25"		✓	
	FourTimer			✓
	TwoTimer	*	✓	✓

\*Due to variations in Class I hitch receivers, some Class I receivers may not be able to accept this product.

## HITCH SIZE & CLASS INFORMATION

1.25" receivers are class I or II.

2" receivers are class III or IV.

Class I hitches are rated for a 2000 lb pull weight and a 200 lb tongue weight.  
(We are concerned with the tongue weight.)

Class II hitches are rated for a 3500 lb pull weight and a 350 lb tongue weight.  
(We are concerned with the tongue weight.)

To ensure that Class II (heavier) accessories are not used in Class I receivers, Class I receivers are generally built with an internal "stop" to prevent the longer Class II accessories from being used. Not all, but most, common Class I receivers are built with this "stop" feature.

For more information regarding your hitch, please consult an automotive professional or contact the hitch manufacturer.

# HITCH FIT TIPS

## GETTING THE PERFECT FIT

### 5 CHECK THE HITCH FIT

Yakima designs products with the goal of fitting all vehicles. Our engineers do such a good job at this that Yakima hitch products fit the vast majority of cars with no issues at all.

Just to be certain, we have included this handy guide to ensure that Yakima hitch products will fit your car. If you have any questions or concerns, visit your local dealer to "try on" a Yakima rack.

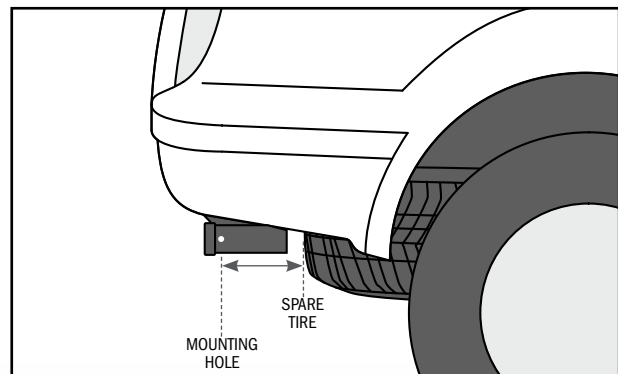
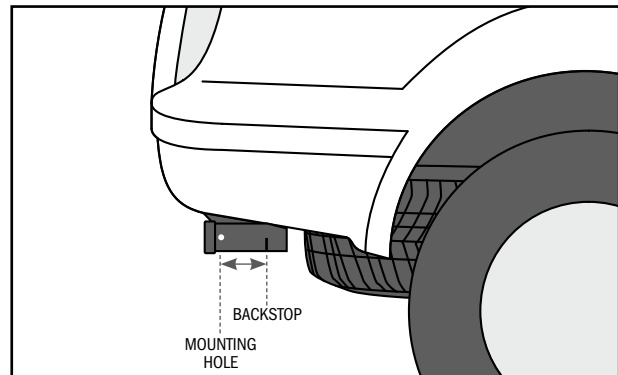
### CHECK YOUR DEPTH

To ensure proper fit, it's important to know the depth of your receiver. Determine this by doing the following:

- With a ruler inserted in the receiver, measure from the center of the hitch mounting hole to the point where you make contact with an obstacle. This is Fit Measurement A.
- If you do not contact a back-stop or your hitch receiver does not have a backstop, another potential point of contact could be an undercarriage-mounted spare tire or the undercarriage itself.
- Using the table below, compare your measurement to see which hitch racks will work with your vehicle. Your Fit Measurement A must be equal to or greater than the product measurement listed in the table below for a proper fit.

YAKIMA RACK	FIT MEASUREMENT A
DOUBLEDOWN	1.6" Min.
DOUBLEDOWN ACE	1.6" Min.
FOURTIMER	3" Min.
FULLSWING	3" Min.
FULLTILT 4/5	1.5" Min.
LITERIDER 2/3	2.5" Min.
HOLDUP 1.25"	2" Min.
HOLDUP 2"	3" Min.
KINGPIN	1.5" Min.
RIDGEBACK 2/4/5	1.5" Min.
SWINGDADDY	3" Min.
TWOTIMER	2" Min.

### FIT MEASUREMENT A



# HITCH FIT TIPS

## GETTING THE PERFECT FIT

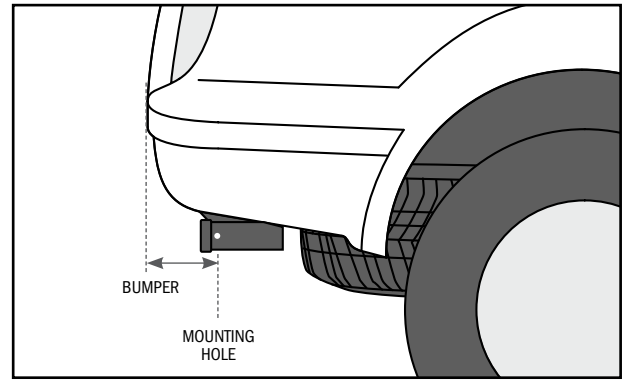
### CHECK YOUR BUMPER

Make sure your bumper will not interfere with the Yakima hitch rack. Measure the distance from the center of the mounting hole on your hitch to the end of your bumper. This is Fit Measurement B.

Your Fit Measurement B must be equal to or less than the product measurement listed in the table below for a proper fit.

YAKIMA RACK	FIT MEASUREMENT B
DOUBLEDOWN	9" Max.
DOUBLEDOWN ACE	9" Max.
FOURTIMER	7" Max.
FULLSWING	6.5" Max.
FULLTILT 4/5	9" Max.
LITERIDER 2/3	8.5" Max.
HOLDUP 1.25"	10" Max.
HOLDUP 2"	9" Max.
KINGPIN	6" Max.
RIDGEBACK 2/4/5	7.5" Max.
SWINGDADDY	6.5" Max.
TWOTIMER	7" Max.

### FIT MEASUREMENT B



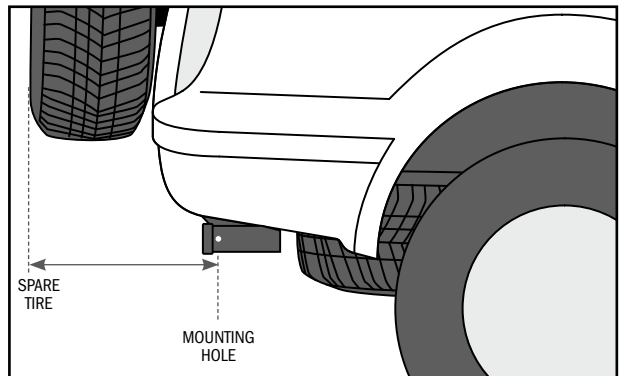
### CHECK YOUR SPARE TIRE

If you have a spare tire on the back of your vehicle it may interfere with the installation of your Yakima hitch rack. Measure the distance from the center of the mounting hole on your hitch receiver to the end of your spare tire. This is Fit Measurement C.

Your Fit Measurement C must be equal to or less than the product measurement listed in the table below for a proper fit.

YAKIMA RACK	FIT MEASUREMENT C
DOUBLEDOWN	8.5" Max.
DOUBLEDOWN ACE	8.5" Max.
FOURTIMER	7" Max.
FULLSWING	9.5" Max.
FULLTILT 4/5	10.5" Max.
LITERIDER 2/3	8" Max.
HOLDUP 1.25"	9.5" Max.
HOLDUP 2"	8.5" Max.
KINGPIN	10.5" Max.
RIDGEBACK 2/4/5	10.5" Max.
SWINGDADDY	9.5" Max.
TWOTIMER	7" Max.

### FIT MEASUREMENT C



# HITCH FIT TIPS

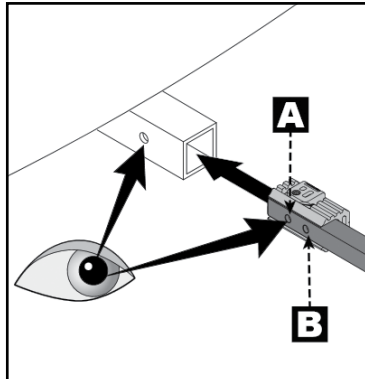
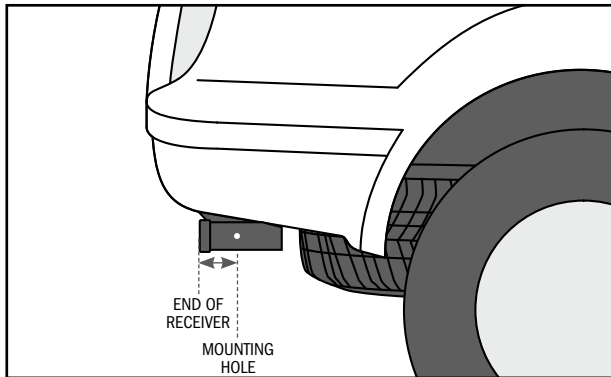
## RIDGEBACK HOLE DEPTH

### CHECK YOUR PIN HOLE DEPTH

If you have selected a [RidgeBack](#) bicycle rack, you will need to measure the depth of your receiver's mounting hole to determine which of the pin mounting holes on your RidgeBack's tongue to use.

- If Measurement X is between 1.5" and 2.375" wide, use pin hole B
- If Measurement X is greater than 2.375", use pin hole A
- If Measurement X is less than 1.5", it is considered not to be a fit

### FIT MEASUREMENT X



### WARNING

Never use Yakima Products with a hitch extender or on an RV, camper or trailer.

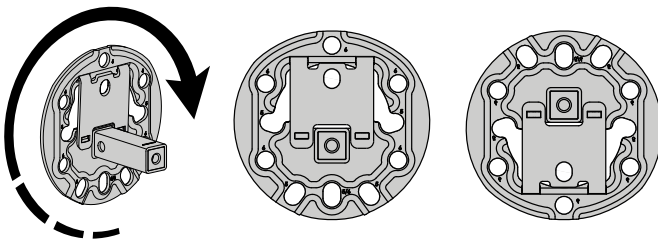
# SPARE TIRE FITTING INFORMATION



## **SPARERIDE™**

Make that spare tire work for a living—the SpareRide easily attaches to your rear-mounted spare and turns it into a bike rack. Durable, stable and secure. SuperCush™ cradles securely hold and protect your bikes, a bottle opener opens bottles, and integrated SKS locks bum out bike thieves.

- SuperCush ZipStrip™ cradles secure the bikes and make loading and unloading a breeze
- ZipStrips™ secure bikes to the rack and are fully removable
- Anti-sway cradle design minimizes bike-to-bike contact
- Fits nearly any size spare—including oversized truck tires (P195 to P318)
- SKS locking package secures bikes to rack, and rack to vehicle, to help prevent theft
- TireTread™ pads increase wheel clearance, while adding stability and protection
- Steel construction is strong and durable
- Universal mounting plate with extension fits most lug patterns
- Tool-free locking knob for quick installation
- Yakima signature bottle opener lets you enjoy a post-ride cold one
- 2-bike capacity



**Mounting plate rotates to accommodate different vehicles.**

**Use the numbers on the mounting plate to guide you.**

**5 = five-hole wheel, 6 = six-hole wheel.**

## **WILL SPARERIDE™ FIT MY VEHICLE?**

- SpareRide fits most factory spare tires and mounts.
- Fits after-market tires up to 12.5" wide.
- Works with all common 5- and 6-bolt wheels.
- May not work with spare-tire-mounted rear-view cameras.