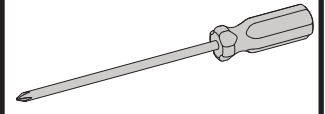


Tools required:



### Load capacity

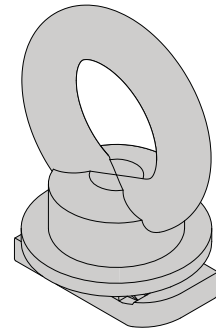
HD Truck - 250 lbs (113 kg),  
JetStream/HD Bar roof rack -  
up to 220 lbs (100 kg), FlushBar/  
RailBar - up to 165 lbs (75 kg)

### Compatibility

Most t-slot  
crossbars,  
platforms,  
or side bars.

1

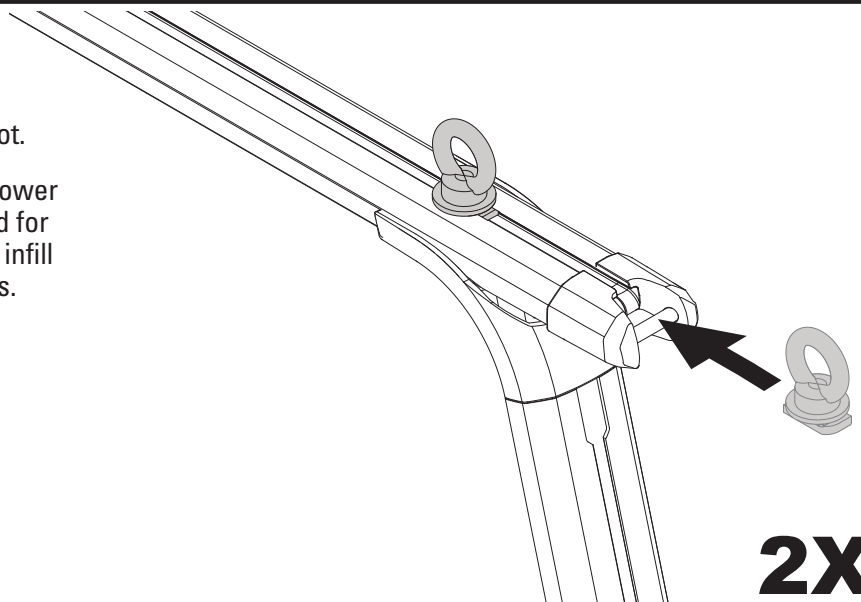
Loosely assemble the Eye Bolt. For HD Bars, and other deep t-slot applications, use the thick nut plate. For Jetstream/FlushBar/RailBar or other shallow t-slots use the thin nut plate.

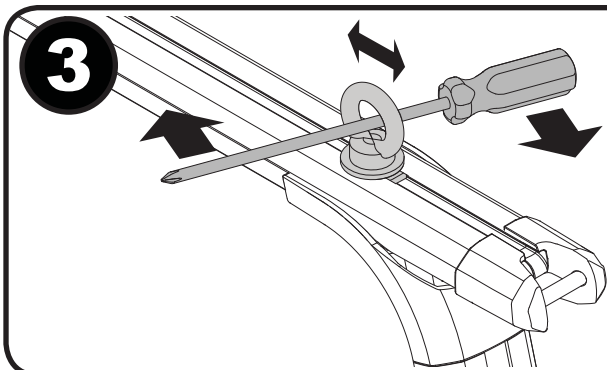


2

Slide Eye Bolt into the t-slot.

**NOTE:** Remove end caps or tower covers when necessary, and for HD Bars remove the topside infill before installing Eye Bolts.

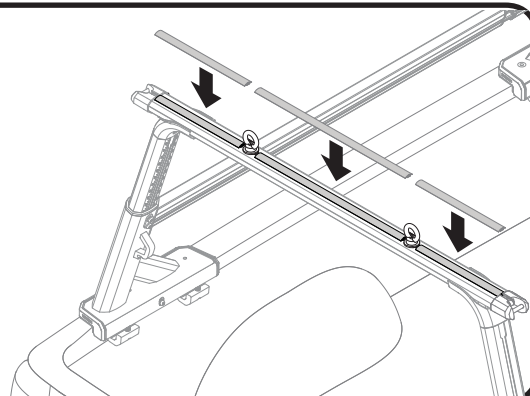




Position the Eye Bolt then tighten it using a screwdriver to gain enough leverage to tighten it to 8-10 Nm (6-7.4 ft-lb).

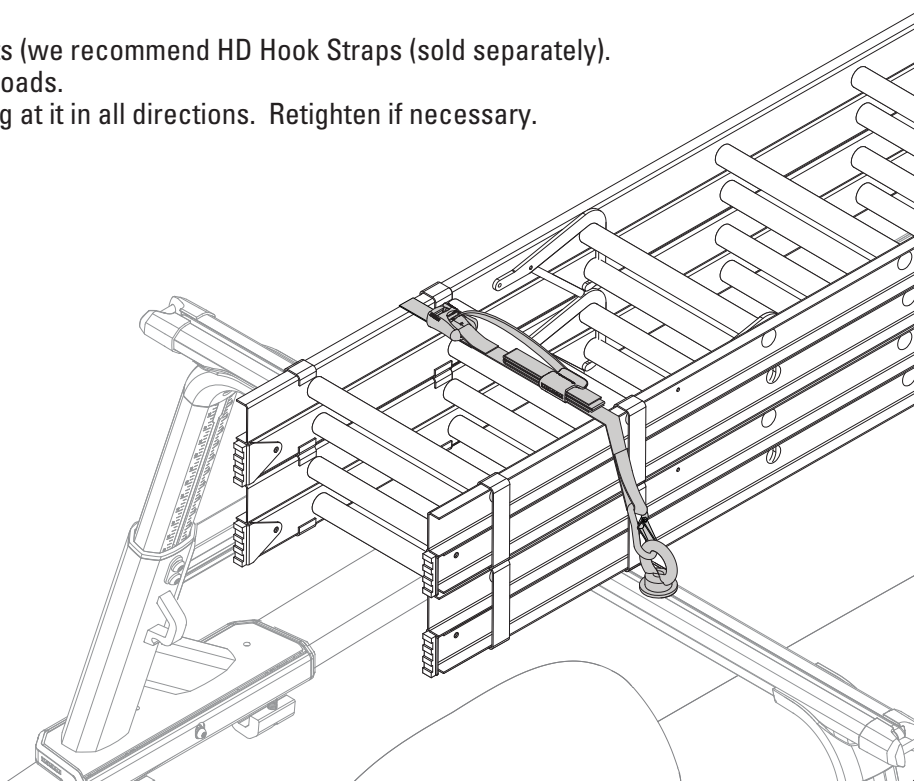
**2X**

Optional: If you don't plan to move your Eye Bolts you can remove and cut the top infill to fit around the Eye Bolts. Otherwise you may want to remove it to allow for free movement of the Eye Bolts.



## LOADING

- Load your gear onto your crossbars
- Secure your load by tying to the Eye Bolts (we recommend HD Hook Straps (sold separately)).
- Attach a safety flag when carrying long loads.
- Check that your gear is secure by tugging at it in all directions. Retighten if necessary.



## REMOVAL

1. Using a large screwdriver, loosen and remove Eye Bolts.