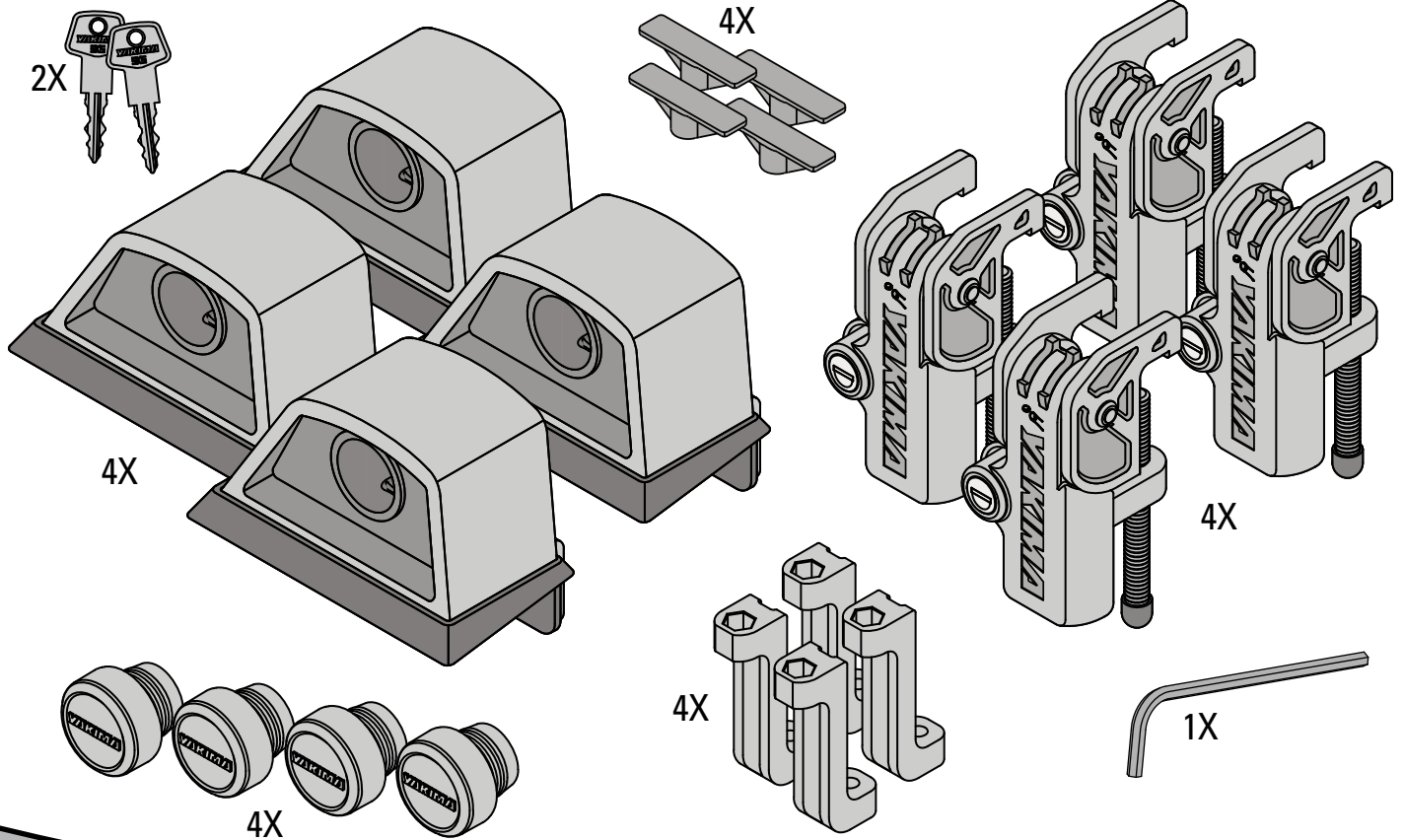


YAKIMA

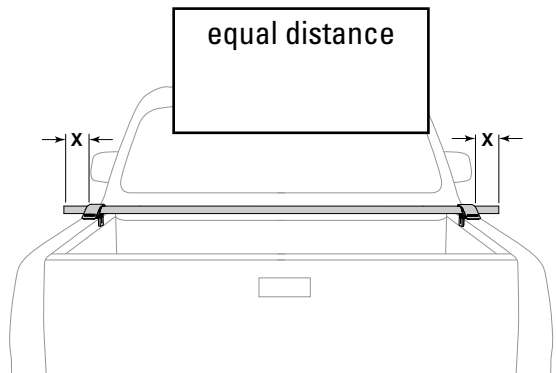
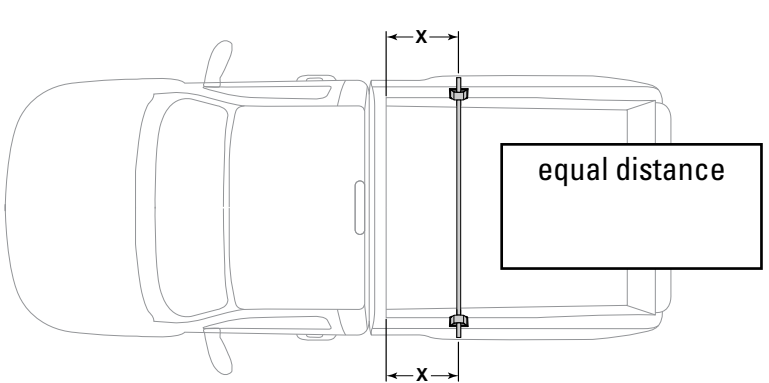
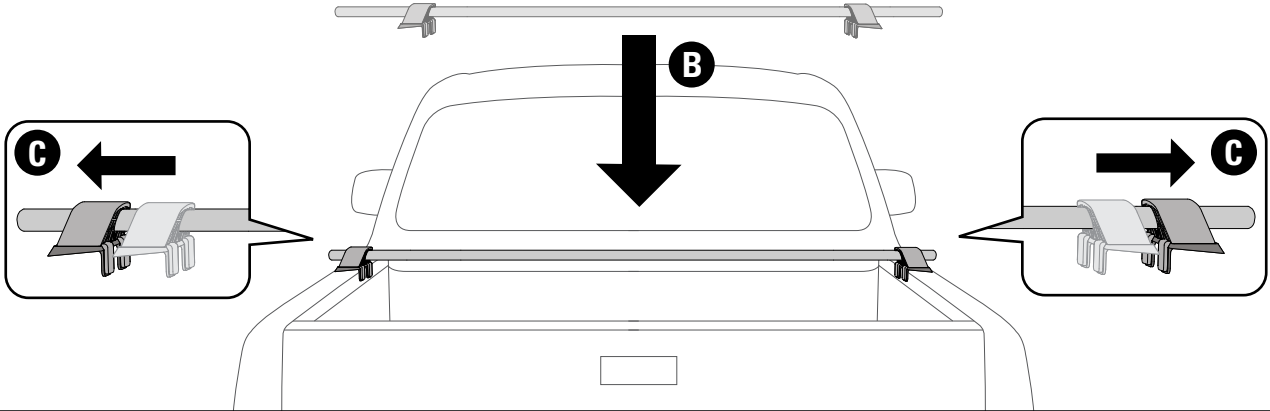
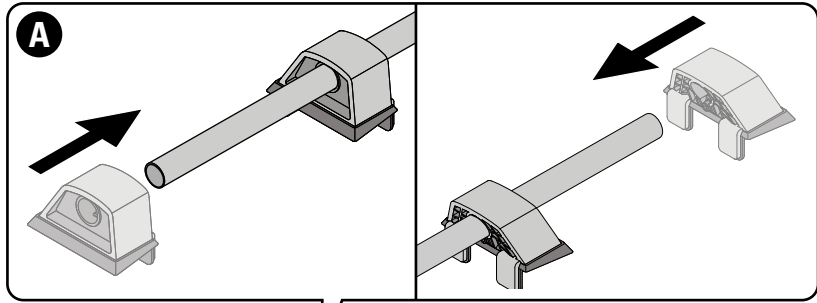
BedRock



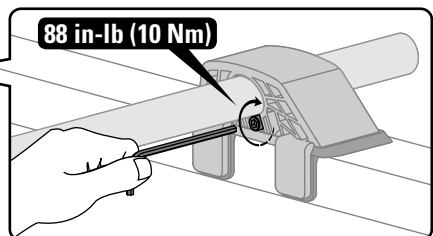
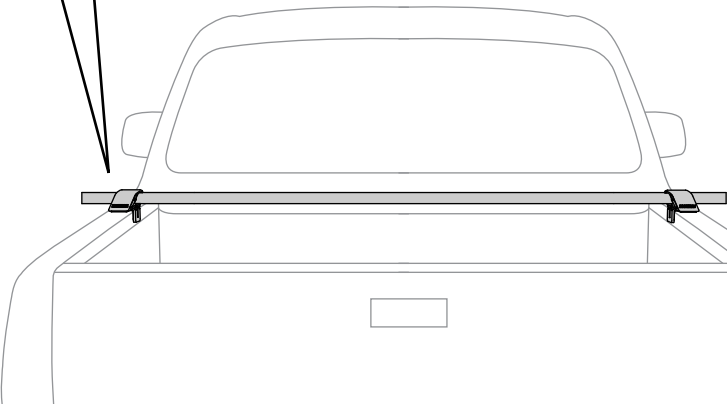
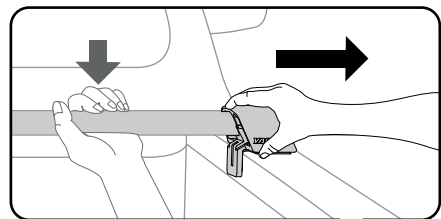
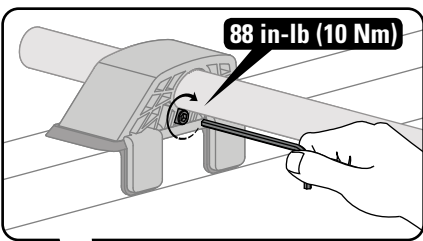
IMPORTANT WARNING

IT IS CRITICAL THAT ALL YAKIMA RACKS AND ACCESSORIES BE PROPERLY AND SECURELY ATTACHED TO YOUR VEHICLE. IMPROPER ATTACHMENT COULD RESULT IN AN AUTOMOBILE ACCIDENT, AND COULD CAUSE SERIOUS BODILY INJURY OR DEATH TO YOU OR TO OTHERS. YOU ARE RESPONSIBLE FOR SECURING THE RACKS AND ACCESSORIES TO YOUR CAR, CHECKING THE ATTACHMENTS PRIOR TO USE, AND PERIODICALLY INSPECTING THE PRODUCTS FOR ADJUSTMENT, WEAR, AND DAMAGE. THEREFORE, YOU MUST READ AND UNDERSTAND ALL OF THE INSTRUCTIONS AND CAUTIONS SUPPLIED WITH YOUR YAKIMA PRODUCT PRIOR TO INSTALLATION OR USE. IF YOU DO NOT UNDERSTAND ALL OF THE INSTRUCTIONS AND CAUTIONS, OR IF YOU HAVE NO MECHANICAL EXPERIENCE AND ARE NOT THOROUGHLY FAMILIAR WITH THE INSTALLATION PROCEDURES, YOU SHOULD HAVE THE PRODUCT INSTALLED BY A PROFESSIONAL INSTALLER.

1

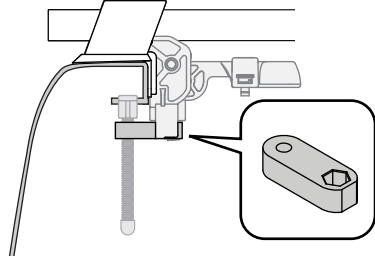


2

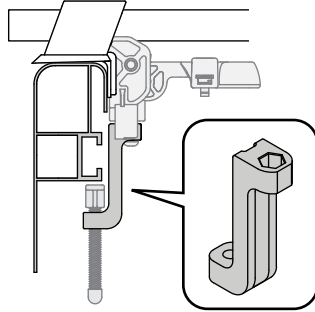




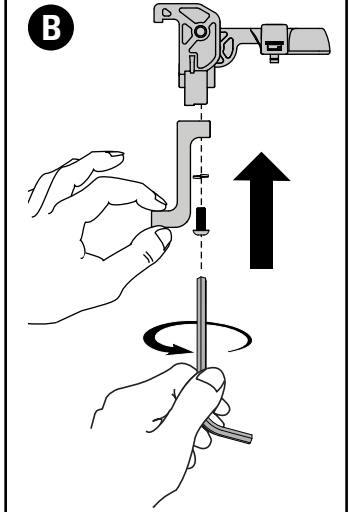
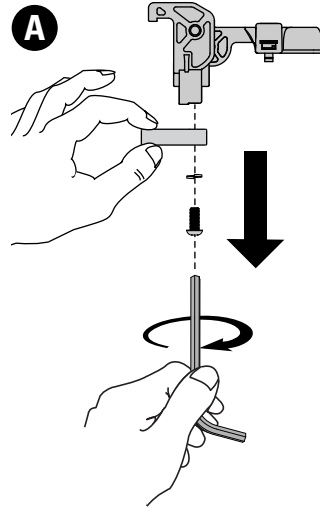
Pre-Installed Adapter



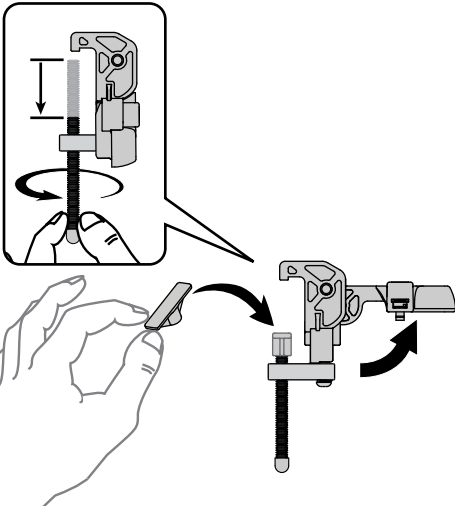
Track Adapter



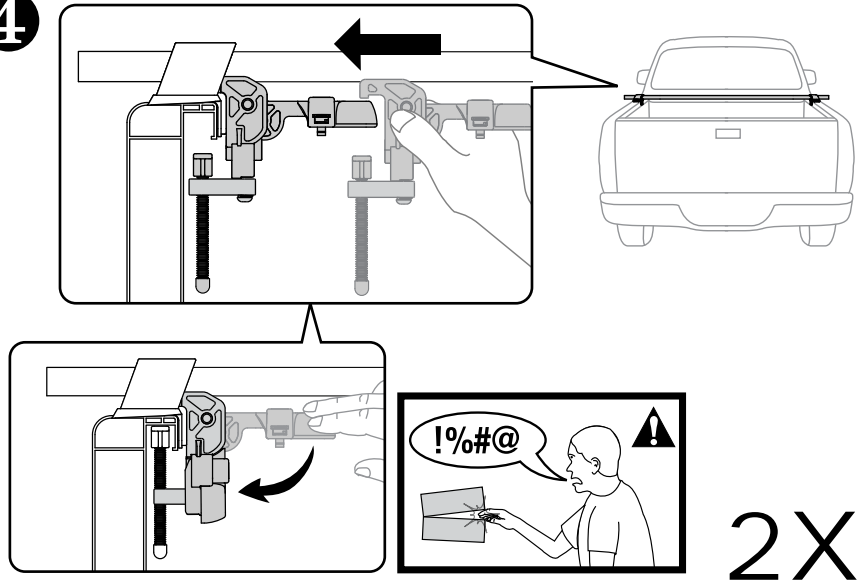
If you have tracks use the track adapter:



3

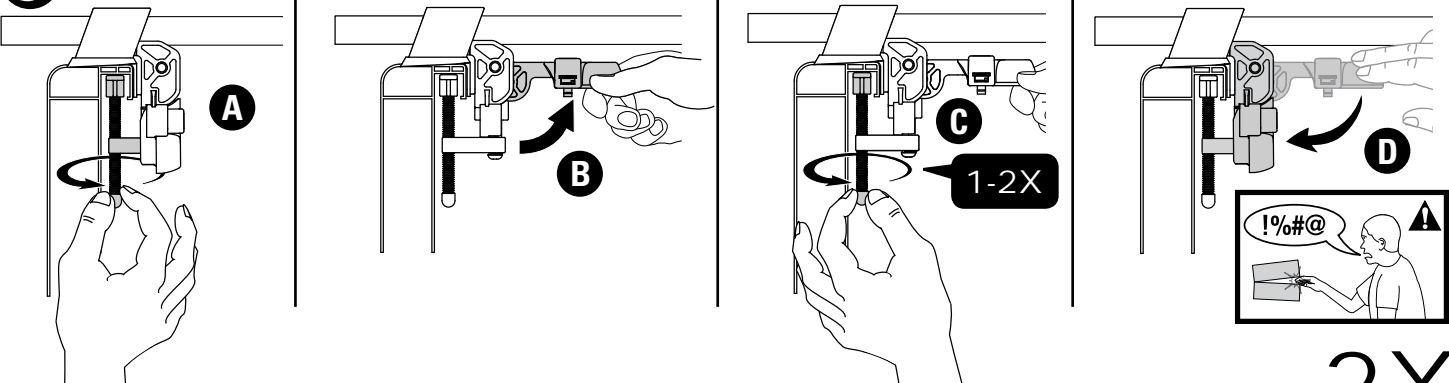


4



2X

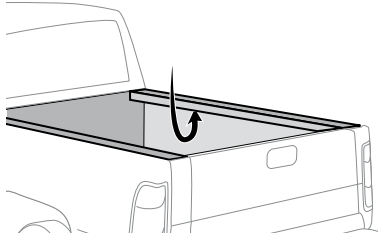
5



2X



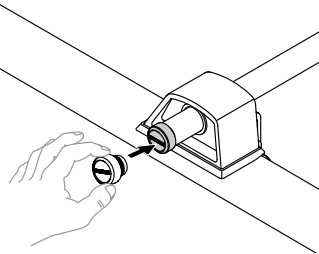
Some bedliners or bedrail covers may require alterations. It may be necessary to cut away a section of the liner on the underside of the bedrail.



WARNING

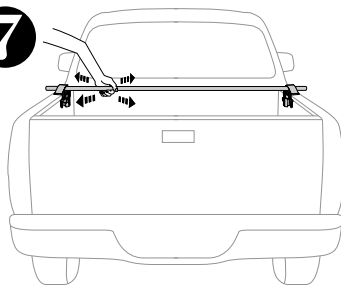
Installing the adapter with liner material interfering can cause the brackets and the load to fall away from the vehicle, resulting in property damage, personal injury, or death.

6



2X

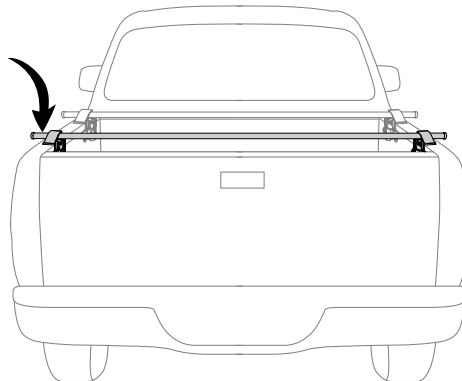
7



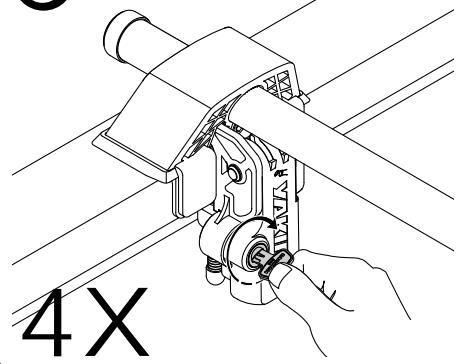
Test installation of each clamp by gripping the bar inboard of clamps; push and pull using only arm strength. If there is any movement open the cover and tighten the clamp. Close the cover and retest.

8

Follow steps 1 through 6 to Install second set of bar and clamps.

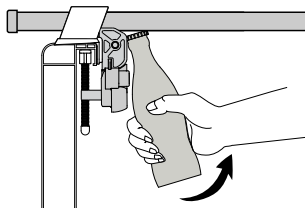


9



4X

BOTTLE OPENER



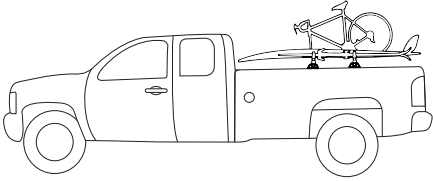
IMPORTANT!

Be sure to read all the warnings and warranty information contained in the insert accompanying these instructions!

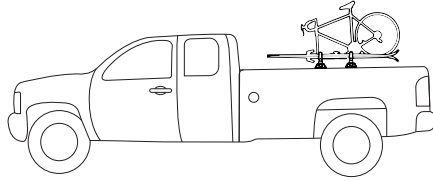


ACCESSORIES

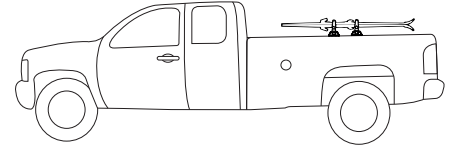
The accessories you will carry with your BedRock will determine your minimum crossbar spread (the distance between the crossbars). Refer to the table below to find the correct minimum crossbar spread.



24" (61cm) Spread (minimum)
Skis, snow boards, bikes (including tandems), sailboards, and kayaks



16" (41cm) Spread (minimum)
Skis, snow boards and 2 bikes (excluding tandems)



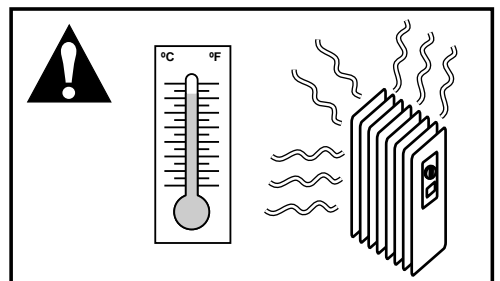
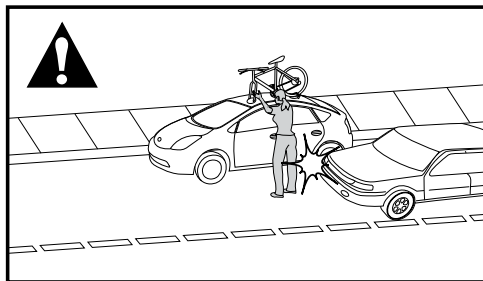
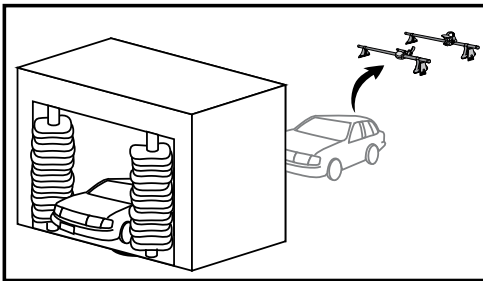
12" (30cm) Spread (minimum)
Skis, snow boards and basketcase

More than 2 bicycles create enough leverage on the Wheel Tray to make the longer crossbar spread necessary. For 16" (41cm) spreads, limit bikes to 30lbs (14kg).

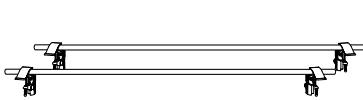
Attachment hardware can loosen over time. Check before each use, and tighten if necessary. Failure to perform safety checks can result in property damage, personal injury, or death.

MAINTENANCE

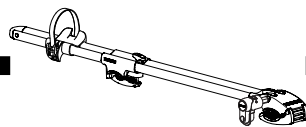
Use non-water soluble lubricant on bolts. Use a soft cloth with water and mild detergent to clean plastic parts. Not recommended for use with drive through car washes.



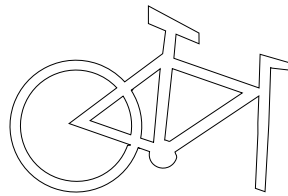
WEIGHT LIMITS



THIS PRODUCT
(20 lbs. / 9 kg)



ANY ACCESSORIES



LOAD



165 lbs.
(75 kg)
MAX.