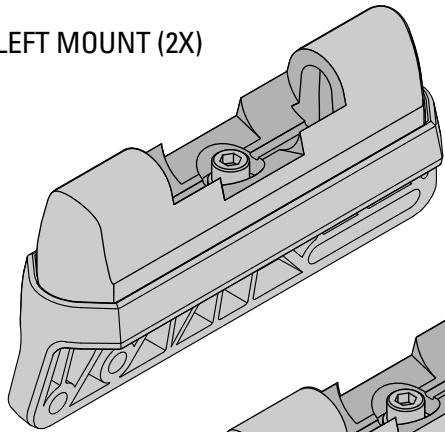


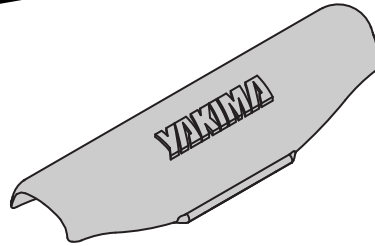
YAKIMA

LANDING PAD 20

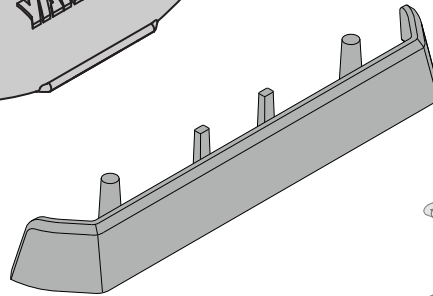
LEFT MOUNT (2X)



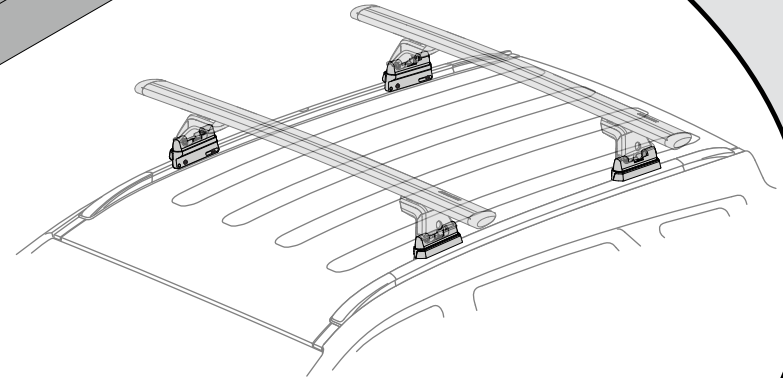
COVER (4X)



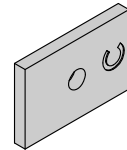
RUBBER COVER (4X)



RIGHT MOUNT (2X)



C PLATE (8X)



SCREW (8X)



WASHER (8X)



INCLUDED TOOLS:



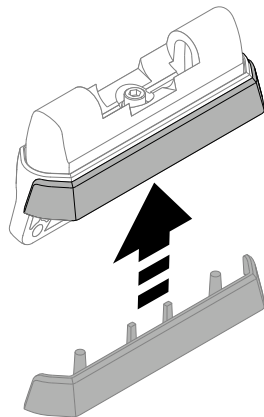
SECURITY WRENCH (1X)



Refer to YAKIMA SkyLine or Control Tower instructions for important warning and load limitations, and YAKIMA's limited warranty.

1

Install rubber cover by inserting the four posts into the plastic base just far enough to stay. The rubber skirt height will self adjust in step 4.

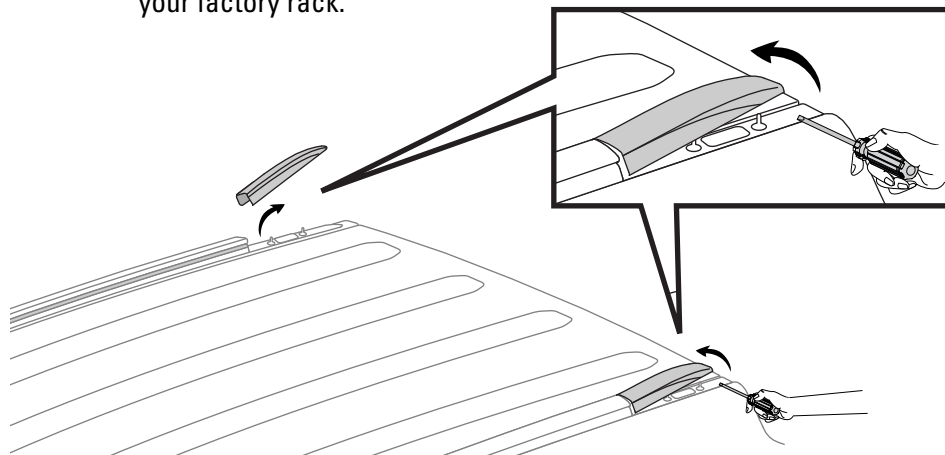


Note: on some vehicles the rubber cover will not be required as the gap between the flush rails and plastic Landing Pad base will be too small.

4X

2

Use a flat-head screwdriver to carefully pry the rear covers from your factory rack.

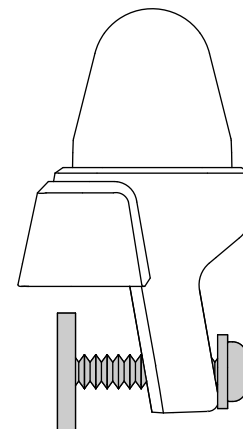
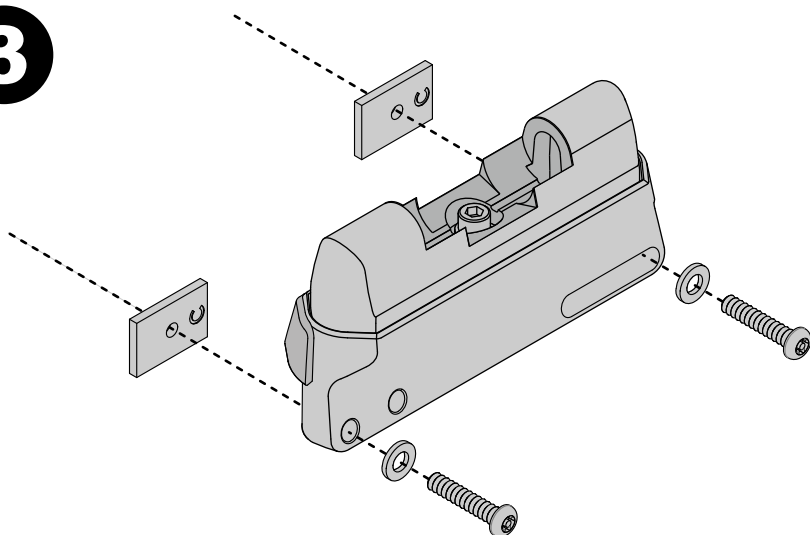


Note: cover plates and channel access will vary by vehicle. Please see your vehicles owners manual for proper process to remove your covers and access your channel.

2X

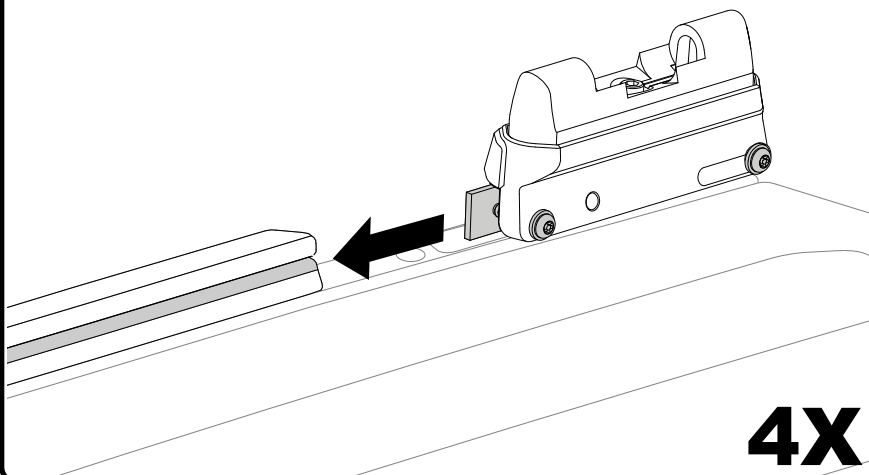
3

Thread each screw through a washer, and then through the landing pad as shown. Start threading the C-plate onto the screw just enough so that it's held in place.

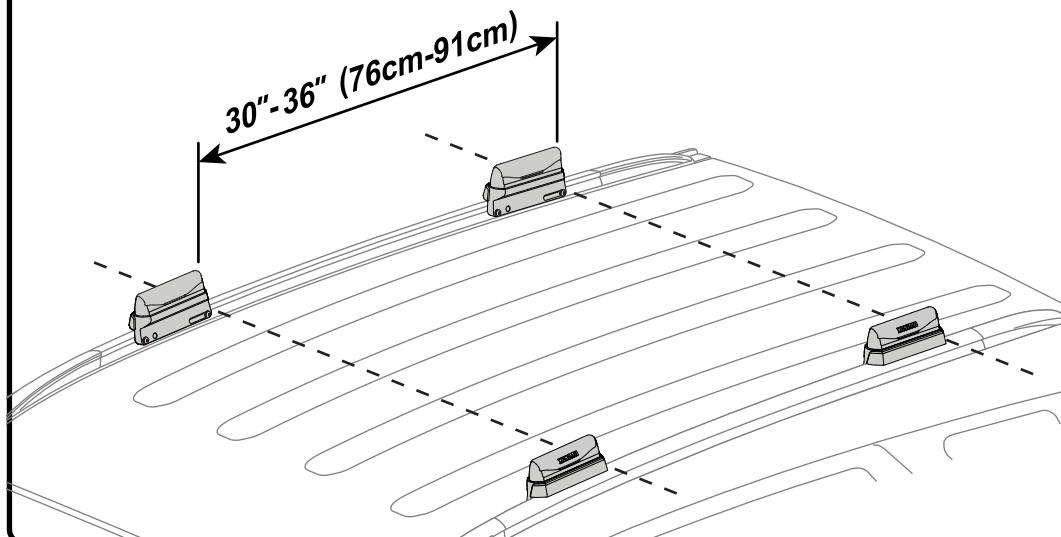


4

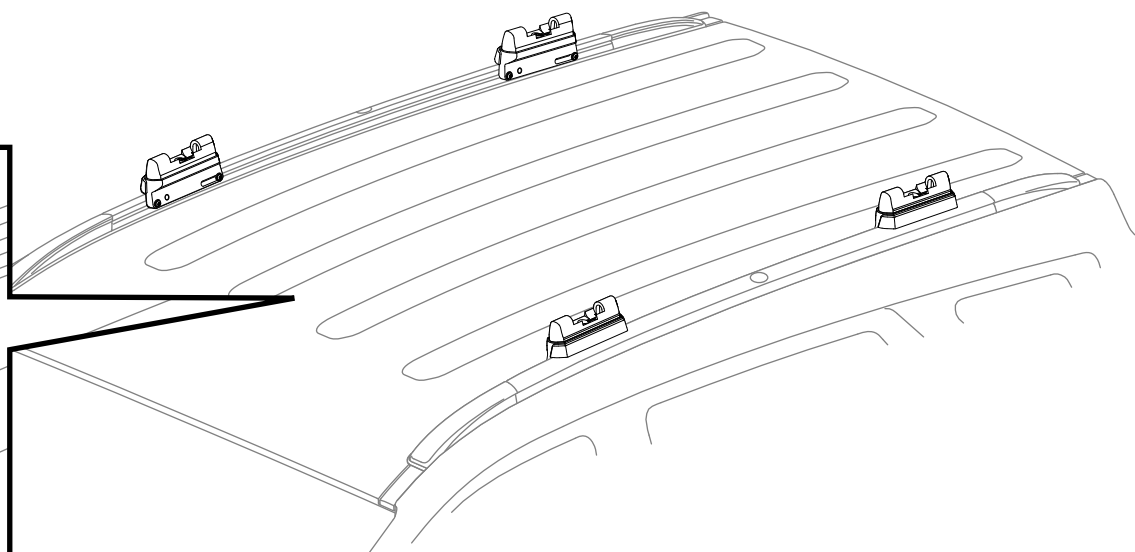
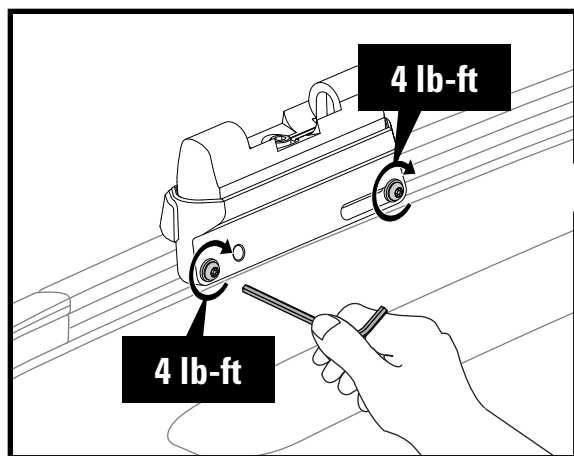
Slide the c-plates into the channel of your flush rail. Be sure to orient the slots toward the rear of the vehicle unless otherwise noted in your vehicle specific Fit Notes.

**4X****5**

Set distance between Landings Pad to 30" - 36" (76cm-91cm). Align driver side and passenger side Landings Pads.

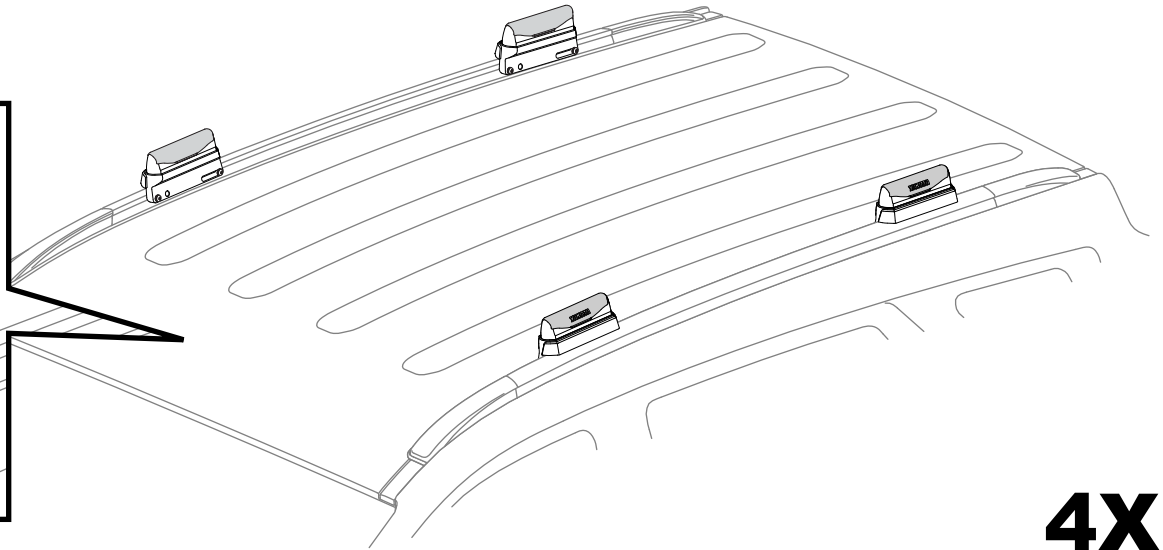
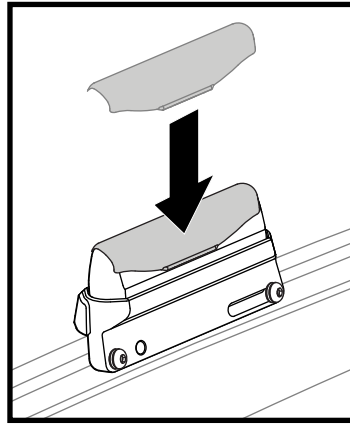
**6**

Fully tighten the screws.

**8X**

7

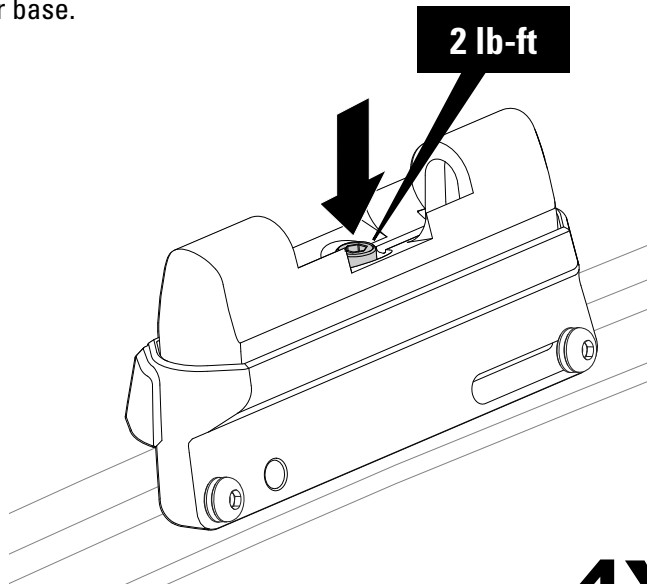
Install covers when not in use.



4X

8

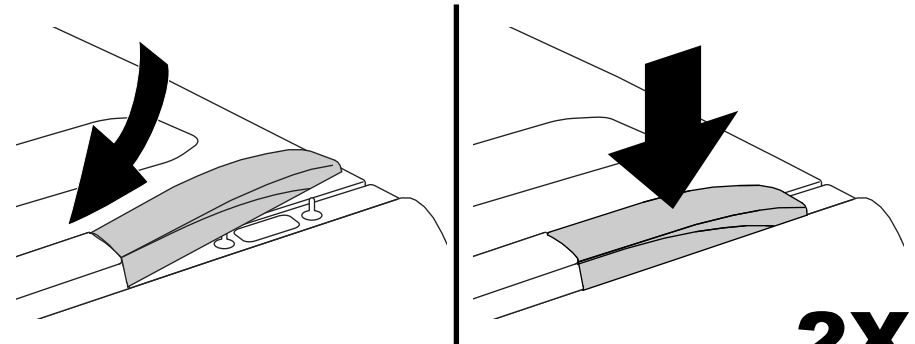
Check that the Landing Pad upper is securely tightened to the lower base.



4X

9

Slide your endcaps back on, and press into place.



2X

10

Continue with *SkyLine* or *Control Tower* installation.