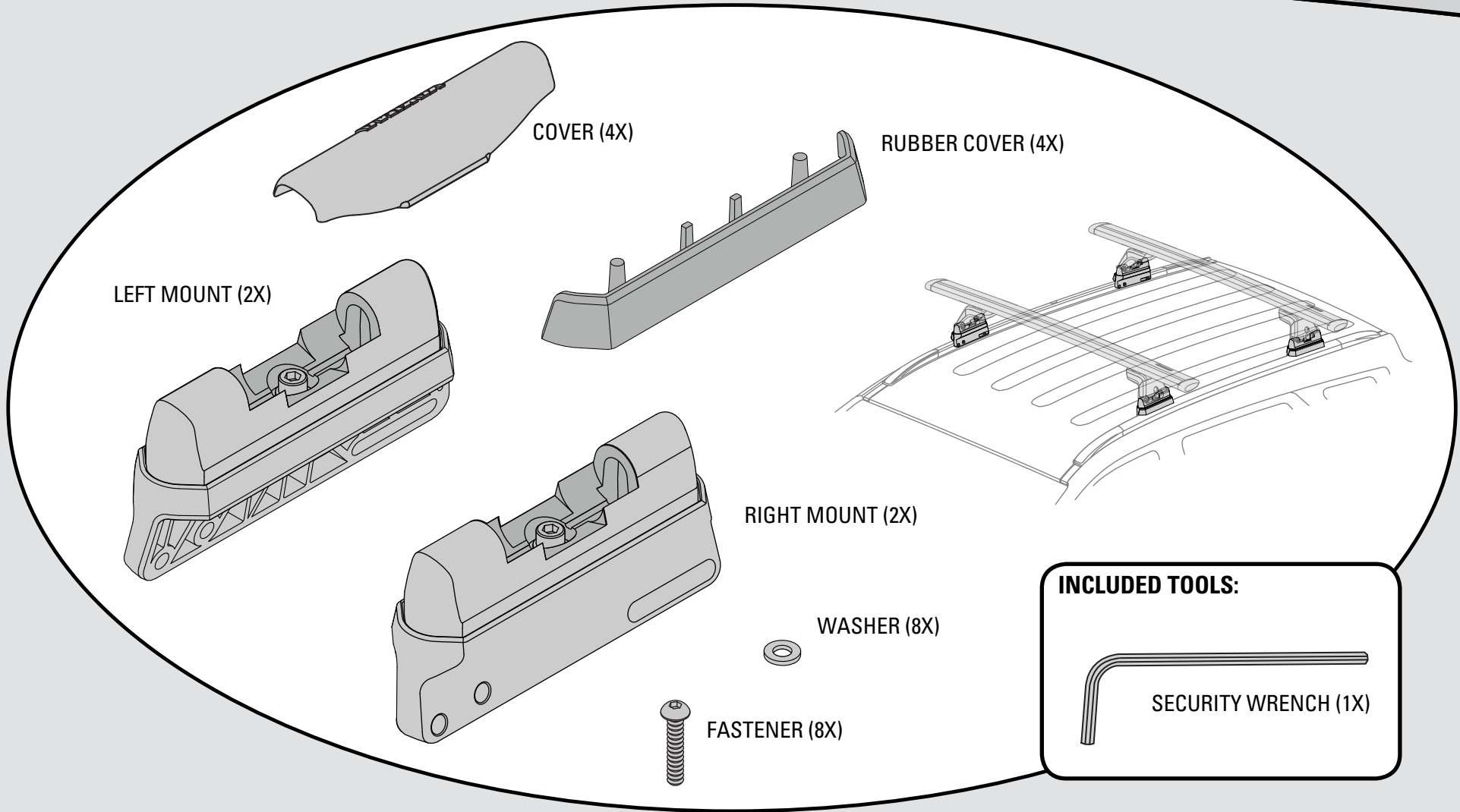


YAKIMA

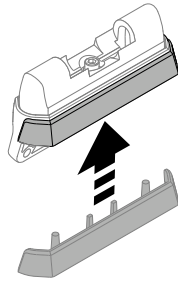
LANDING PAD 19



Refer to YAKIMA SkyLine or Control Tower instructions for important warning and load limitations, and YAKIMA's limited warranty.

1

Install rubber cover by inserting the four posts into the plastic base just far enough to stay. The spacer height will self adjust in step 3.

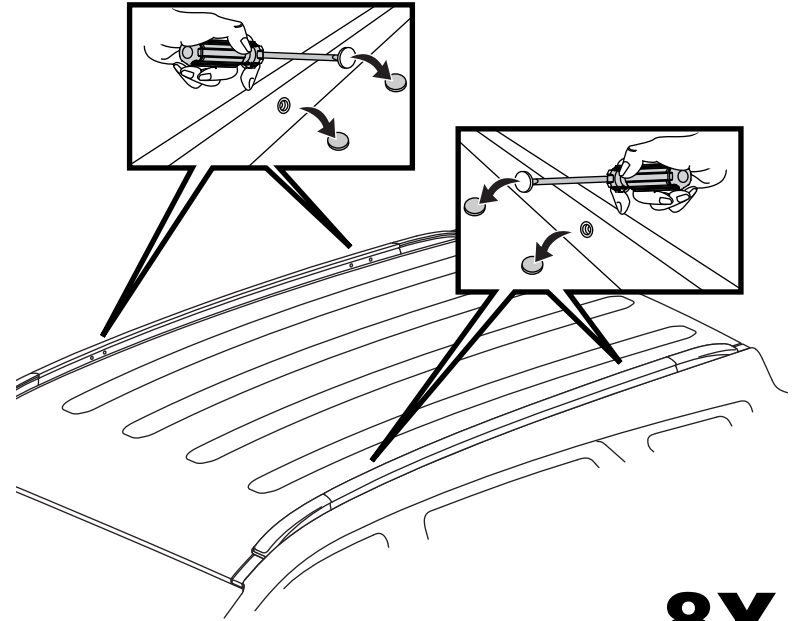


Note: on some vehicles the rubber cover will not be required as the gap between the flush rails and plastic Landing Pad base will be too small.

4X

2

Use a flat-head screw driver to remove all 8 plugs.

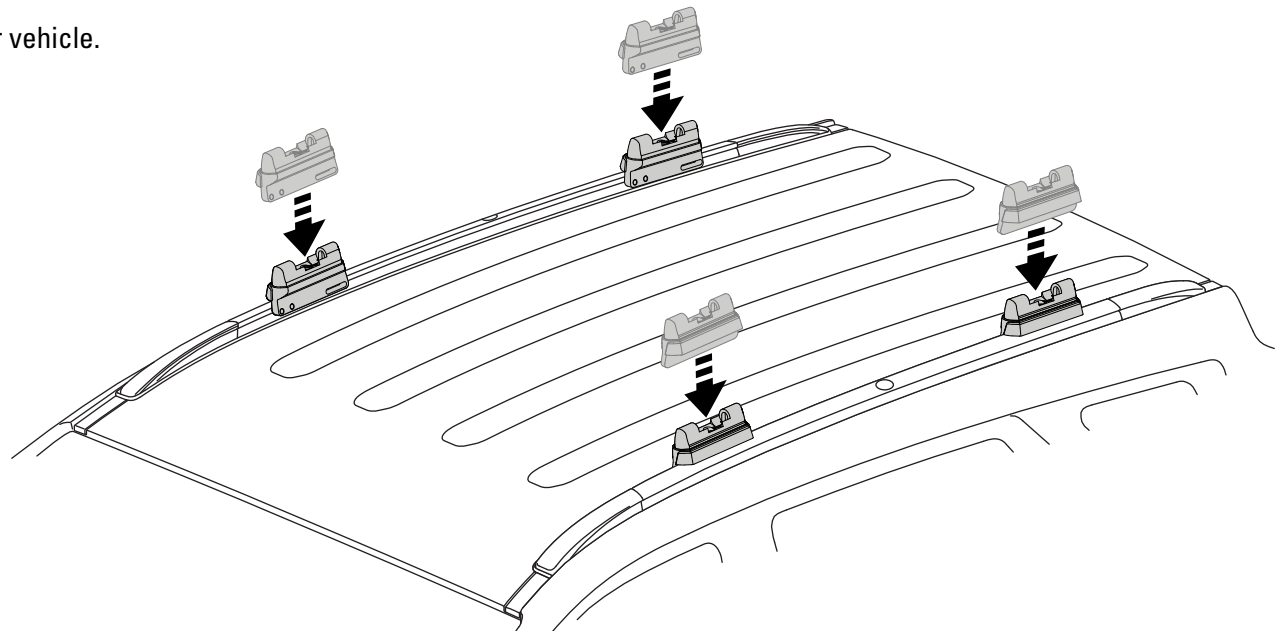


Note: On some vehicles you may have to thread out the plugs and some may not have plugs

8X

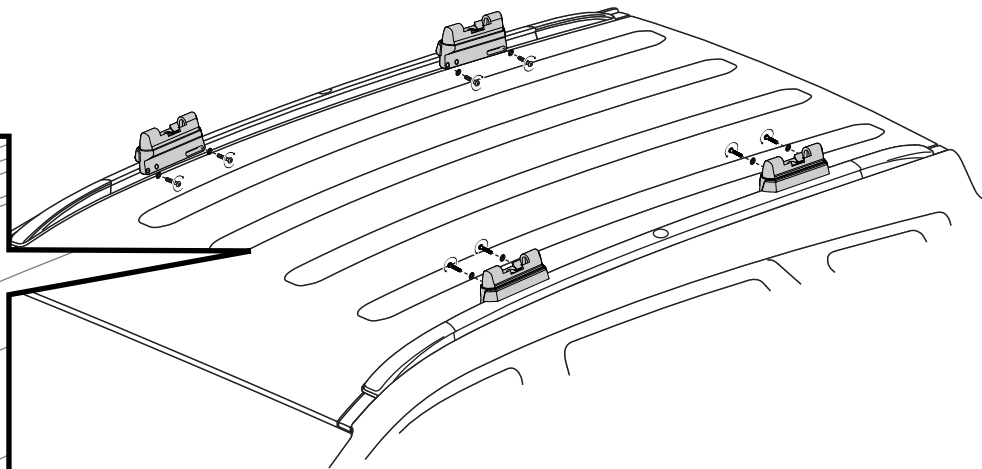
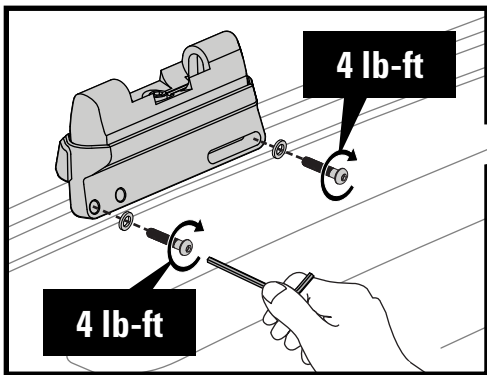
3

Place your Landing Pads onto your vehicle.



NOTE: The slots face toward the rear of vehicle unless otherwise noted in your vehicle specific Fit Notes.

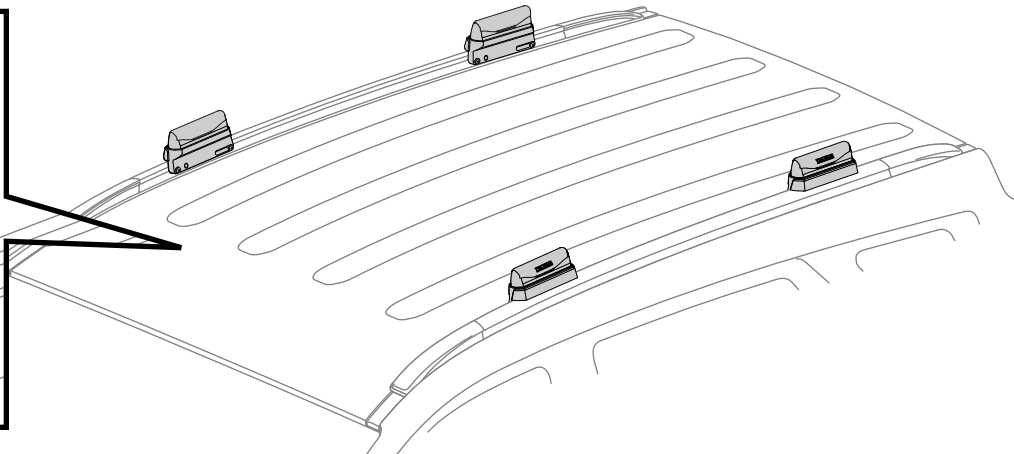
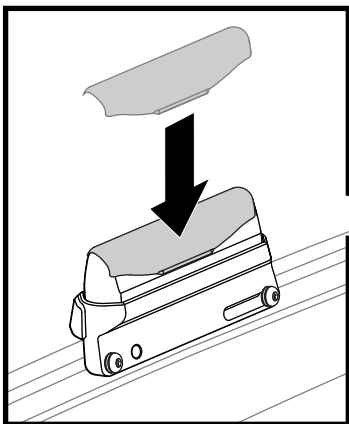
4



Thread a washer onto each of the screws. Start with the round hole, and screw the Landing Pad to your rail. Then install the second screw into the slot, and screw the landing pad to your rail. Fully tighten.

8X

5

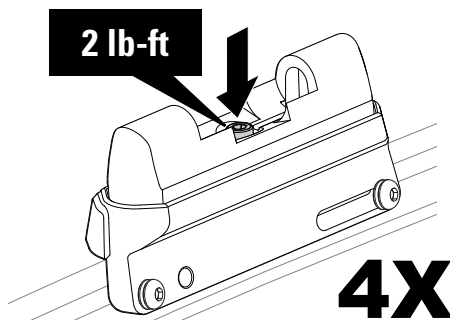


Install covers when not in use.

4X

6

Check that the Landing Pad upper is securely tightened to the lower base.



7

Continue with SkyLine or Control Tower installation.