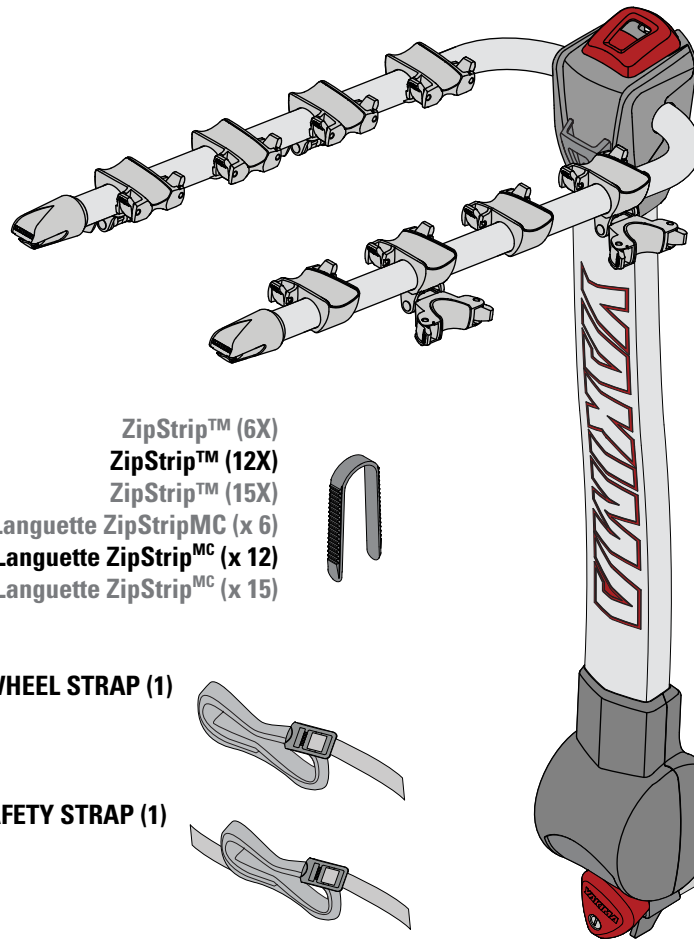


# YAKIMA RidgeBack 2,4,5



Do not use with a hitch extender.



RidgeBack 4  
RidgeBack 2, 5 (not shown)

KEY (2X)



M5 WRENCH (1X)



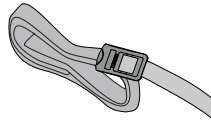
M4 WRENCH (1X)



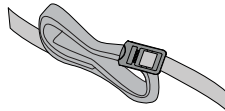
ZipStrip™ (6X)  
ZipStrip™ (12X)  
ZipStrip™ (15X)  
Languette ZipStrip<sup>MC</sup> (x 6)  
Languette ZipStrip<sup>MC</sup> (x 12)  
Languette ZipStrip<sup>MC</sup> (x 15)



FRONT WHEEL STRAP (1)



SAFETY STRAP (1)

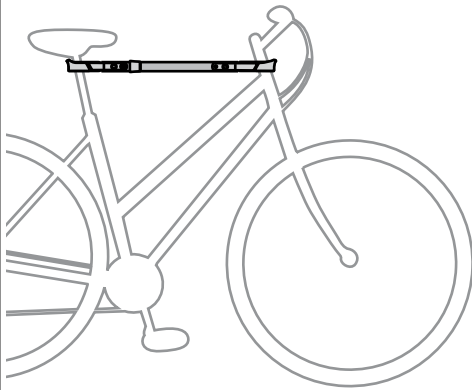


## IMPORTANT WARNING

IT IS CRITICAL THAT ALL YAKIMA [RACKS AND ACCESSORIES](#) BE PROPERLY AND SECURELY ATTACHED TO YOUR VEHICLE. IMPROPER ATTACHMENT COULD RESULT IN AN AUTOMOBILE ACCIDENT, AND COULD CAUSE SERIOUS BODILY INJURY OR DEATH TO YOU OR TO OTHERS. YOU ARE RESPONSIBLE FOR SECURING THE RACKS AND ACCESSORIES TO YOUR CAR, CHECKING THE ATTACHMENTS PRIOR TO USE, AND PERIODICALLY INSPECTING THE PRODUCTS FOR ADJUSTMENT, WEAR, AND DAMAGE. THEREFORE, YOU MUST READ AND UNDERSTAND ALL OF THE INSTRUCTIONS AND CAUTIONS SUPPLIED WITH YOUR YAKIMA PRODUCT PRIOR TO INSTALLATION OR USE. IF YOU DO NOT UNDERSTAND ALL OF THE INSTRUCTIONS AND CAUTIONS, OR IF YOU HAVE NO MECHANICAL EXPERIENCE AND ARE NOT THOROUGHLY FAMILIAR WITH THE INSTALLATION PROCEDURES, YOU SHOULD HAVE THE PRODUCT INSTALLED BY A PROFESSIONAL INSTALLER.

**PURCHASE SEPARATELY**

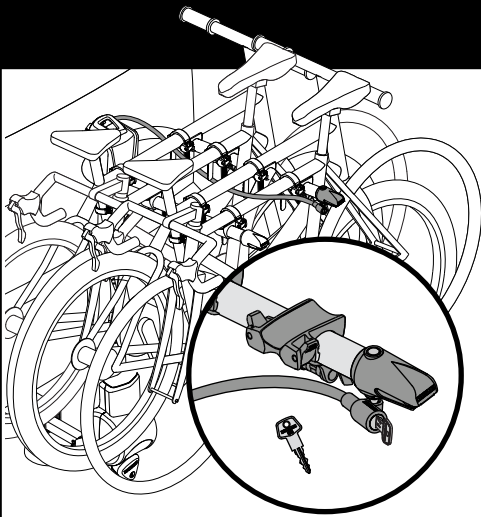
## *TubeTop*



**TubeTop**

Required for bikes with step-through/Ladies frames or bikes with slanted top tubes. Part #8002531

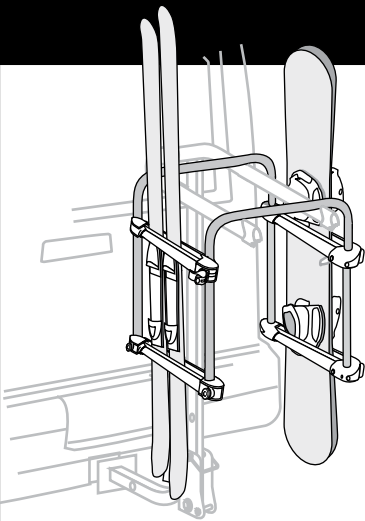
## *HandCuff*



**HandCuff**

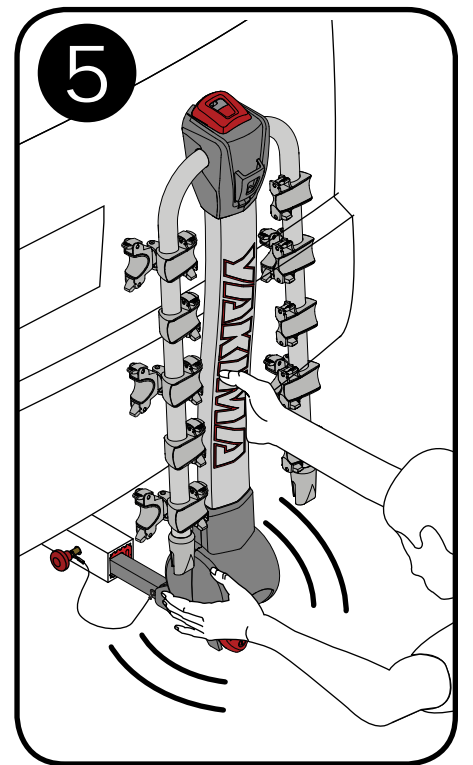
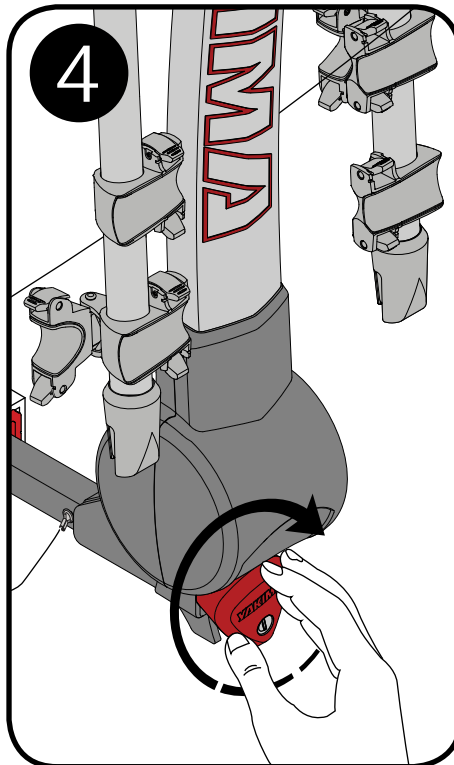
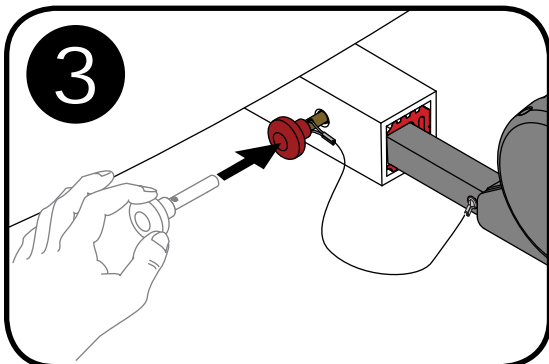
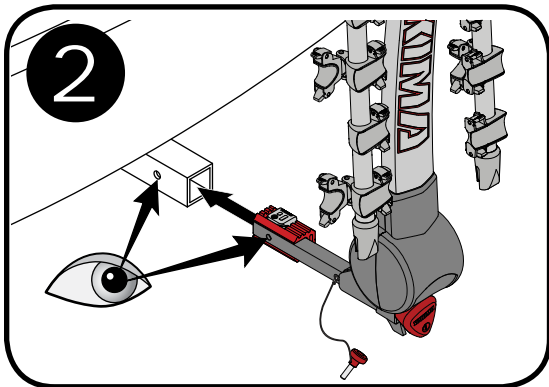
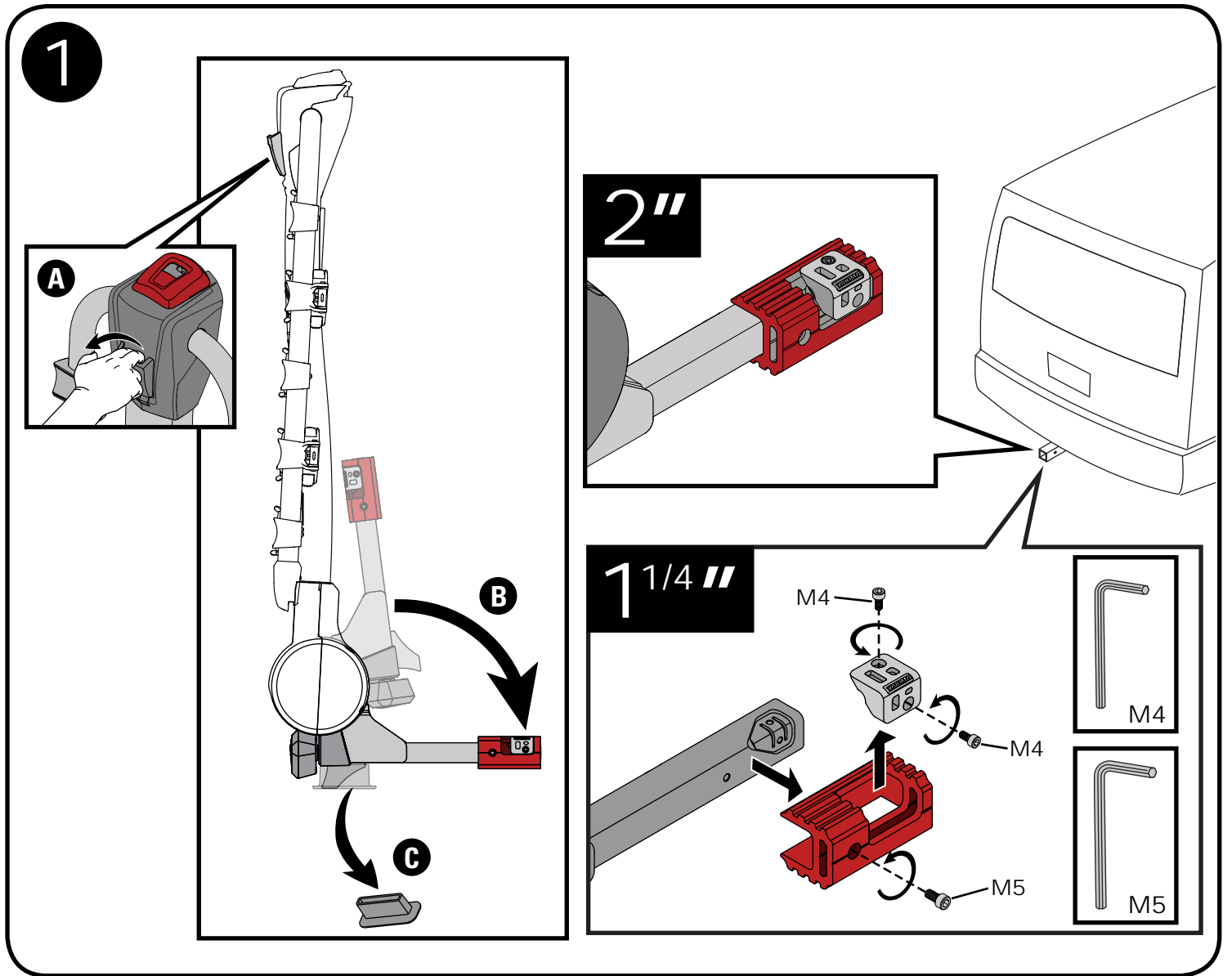
Adds a locking cable to carrier. Part #8002466

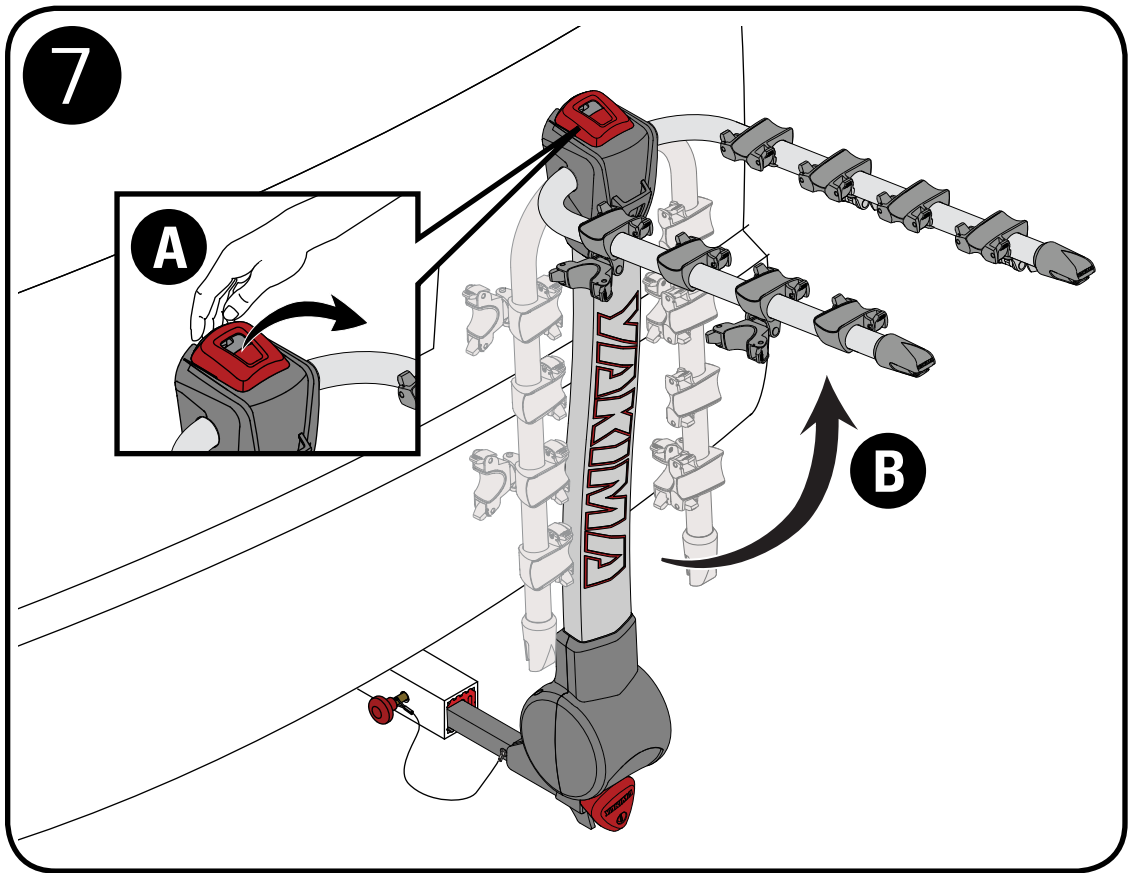
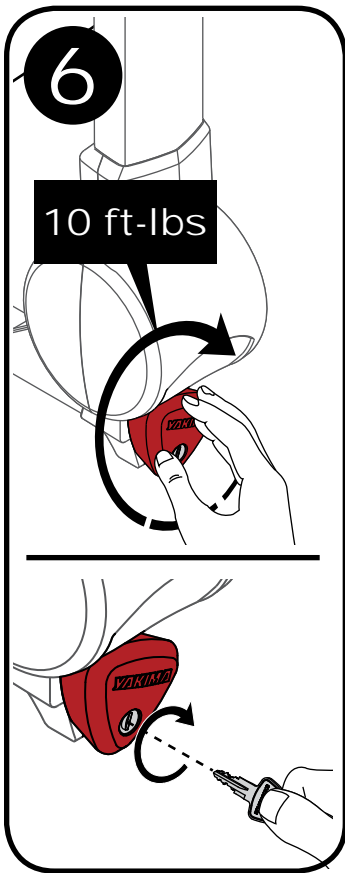
## *HitchSki*



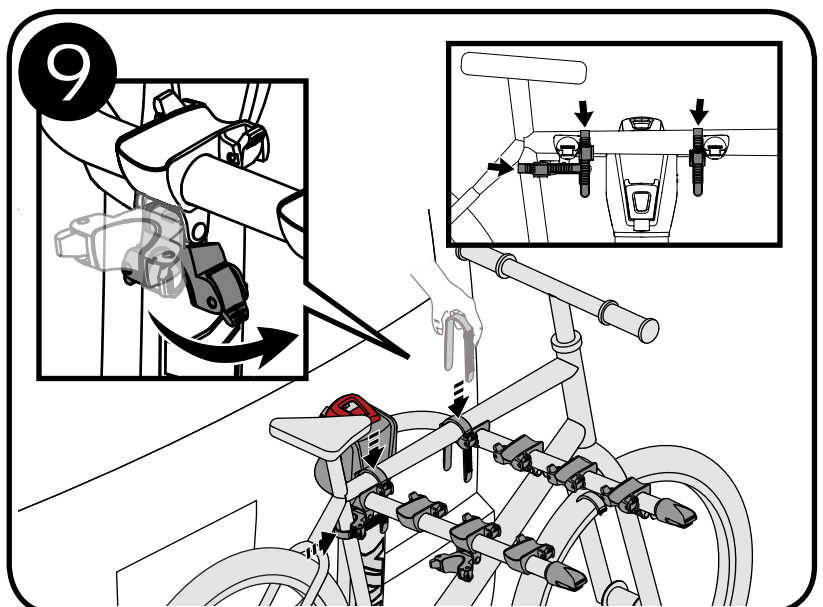
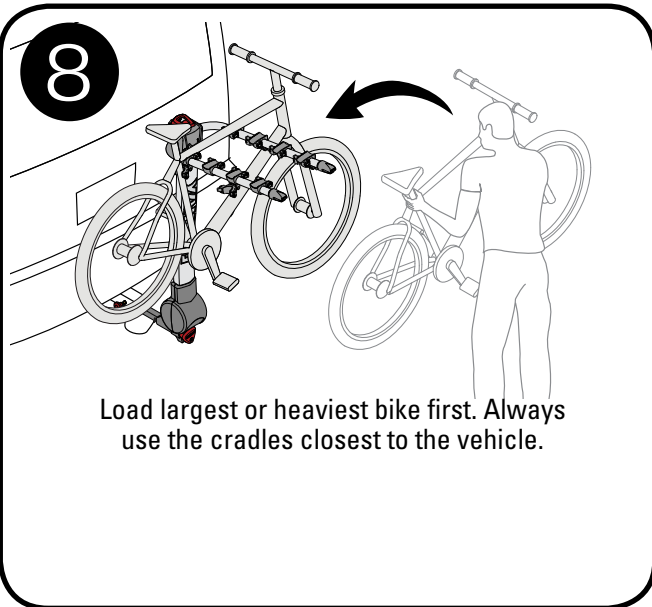
**HitchSki (RidgeBack 4&5 only)**

Carries up to 6 pairs of skis or 4 snowboards Part #8002418

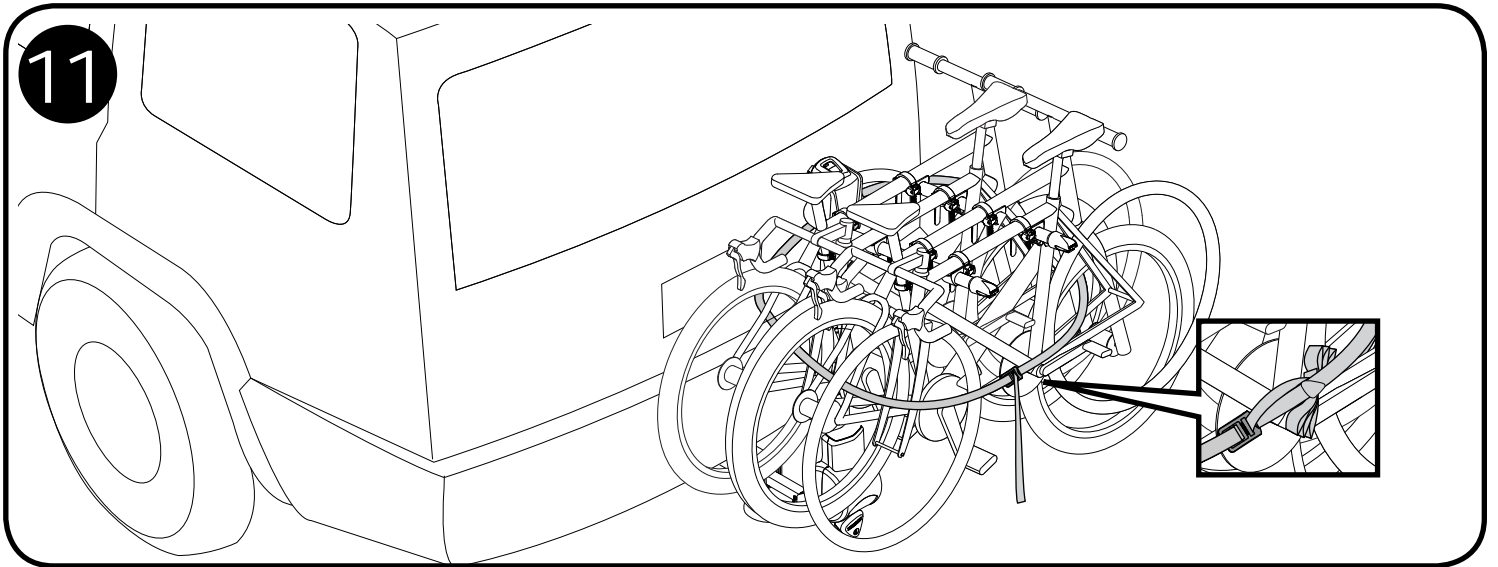
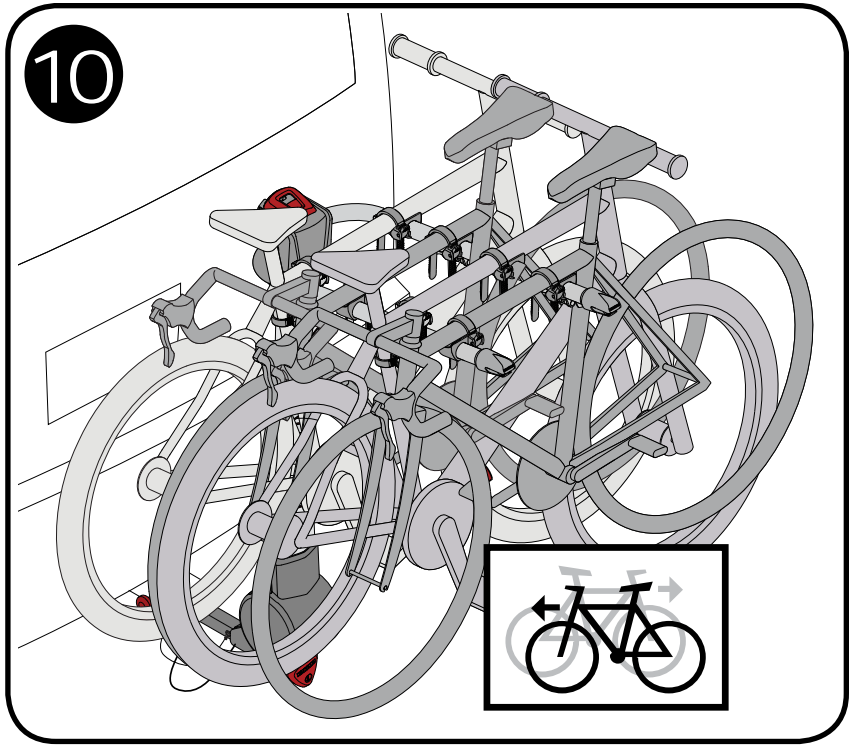
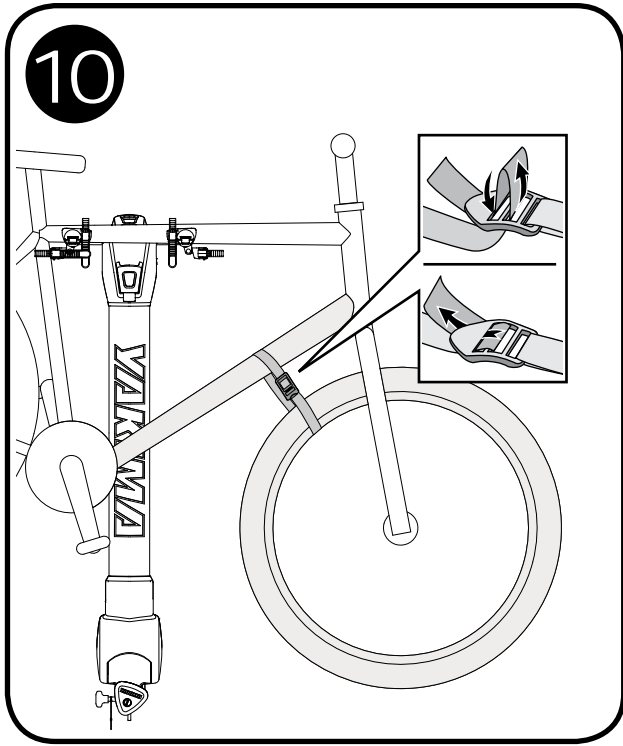




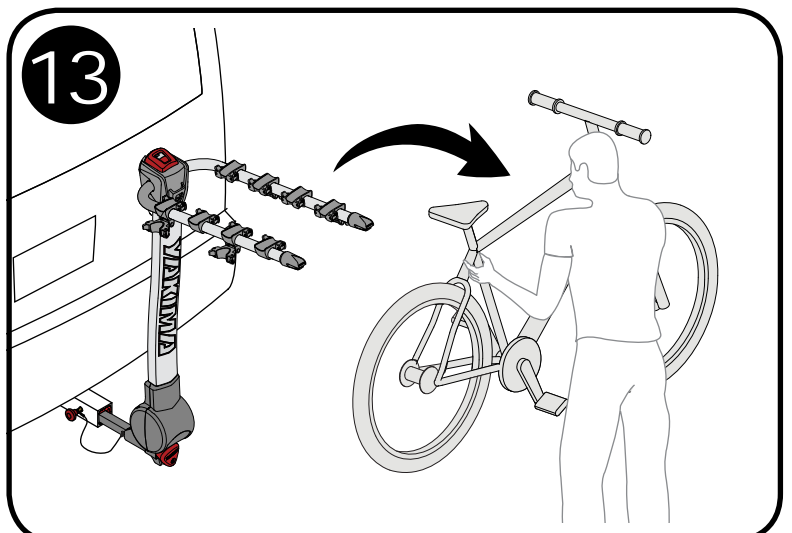
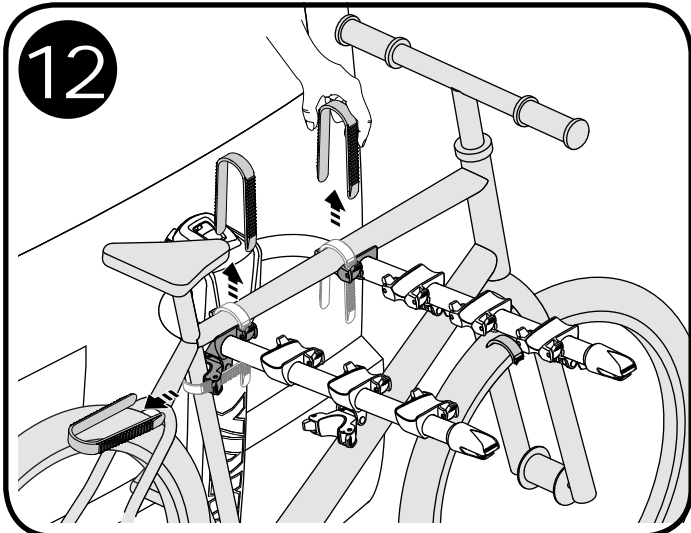
**!** A Yakima TubeTop (see cover page) may be required to carry your bike safely. **Failure to load bikes properly can result in property damage, personal injury, or death.** Bikes should be as level as possible to avoid ground clearance issues and possible ejections.



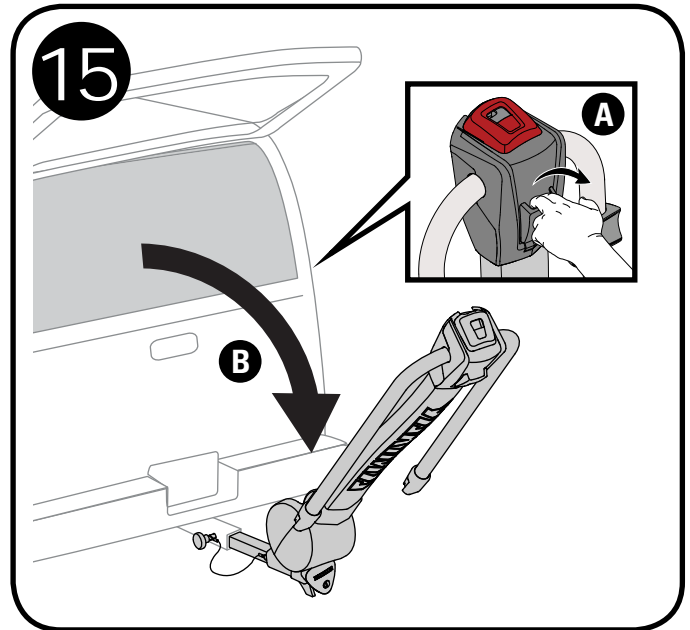
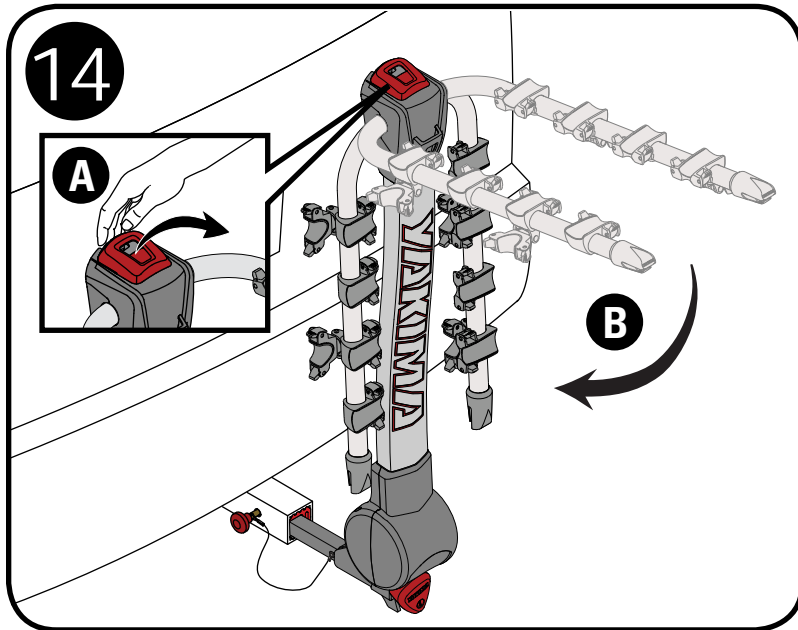




**UNLOADING**



**FOLD MAST DOWN TO ACCESS THE REAR.  
RABATTRE LA POTENCE POUR AVOIR ACCÈS À L'ARRIÈRE DU VÉHICULE.  
INCLINE EL MÁSTIL HACIA ABAJO PARA ACCEDER A LA PARTE POSTERIOR.**



**REMOVAL • DÉPOSE • DESMONTAJE**

1. Remove safety strap.
2. Unload the bikes.
3. lower the arms.
4. Unlock the carrier.
5. Loosen red knob.
6. Remove the hitch pin.
7. Remove the carrier from the hitch.
8. Fold up the tongue.
9. Store RidgeBack in a safe place.

1. Retirer la sangle de sécurité.
2. Décharger les vélos.
3. Rabattre les bras.
4. Déverrouiller le porte-vélo.
5. Desserrer le bouton rouge.
6. Retirer la goupille du timon.
7. Sortir le porte-vélo de l'attelage.
8. Replier le timon.
9. Ranger le porte-vélo à l'abri.

1. Quite la correa de seguridad.
2. Descargue las bicicletas.
3. Incline los brazos.
4. Abra el portabicicletas con la llave.
5. Afloje la perilla roja.
6. Quite el pin del enganche.
7. Retire el portabicicletas del enganche.
8. Pliegue la clavija.
9. Guarde el portabicicletas RidgeBack en un lugar seguro.

**BOTTLE OPENER • DÉCAPSULEUR • DESTAPADOR**

