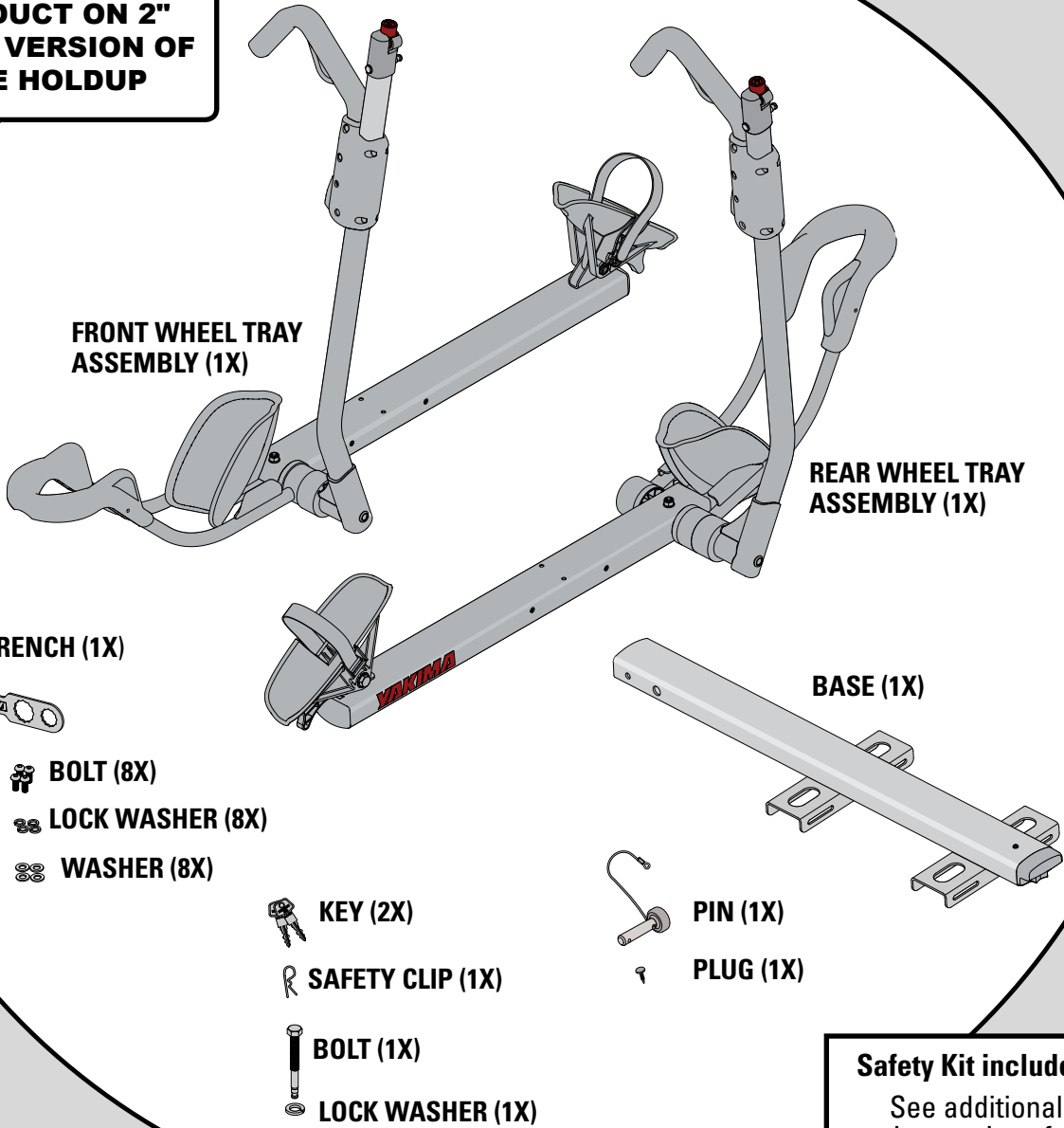


YAKIMA

HoldUp Plus2

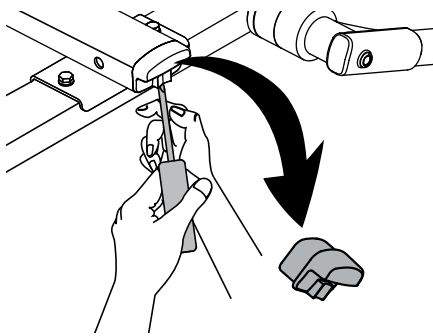


**INSTALL THIS
PRODUCT ON 2"
HITCH VERSION OF
THE HOLDUP**



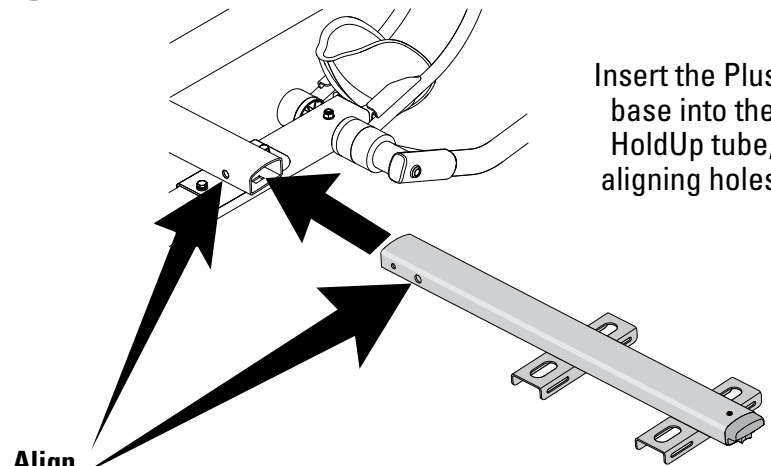
Safety Kit included:
See additional
instructions for
installation.

1 REMOVE END CAP FROM HOLDUP.



Using a flathead screwdriver, remove the end cap from the HoldUp.

2 INSERT PLUS2 BASE INTO HOLDUP.

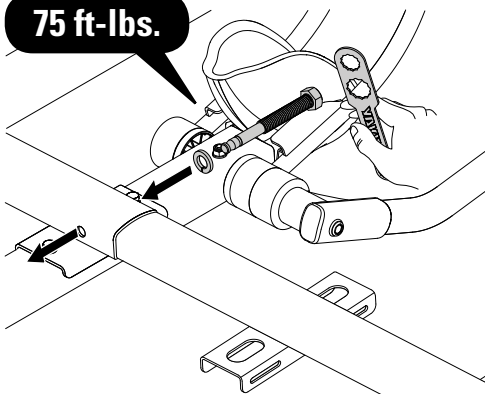


Insert the Plus2 base into the HoldUp tube, aligning holes.

Align

3 INSTALL MAIN BOLT.

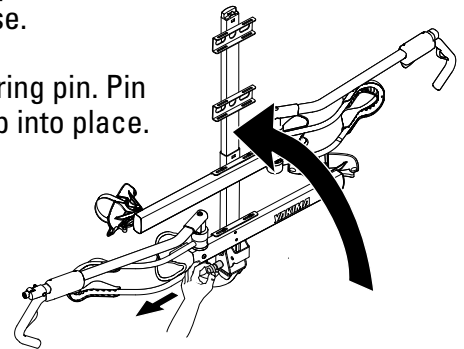
75 ft.-lbs.



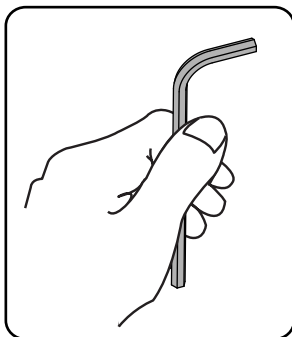
- Insert bolt, and lock-washer in order shown.
- Tighten with adjustable wrench.

4 ROTATE TO UPRIGHT POSITION.

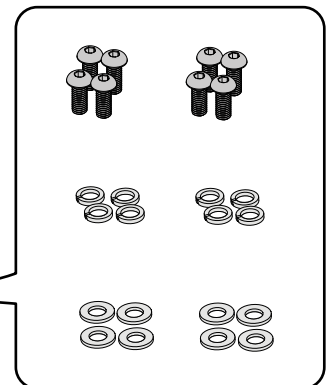
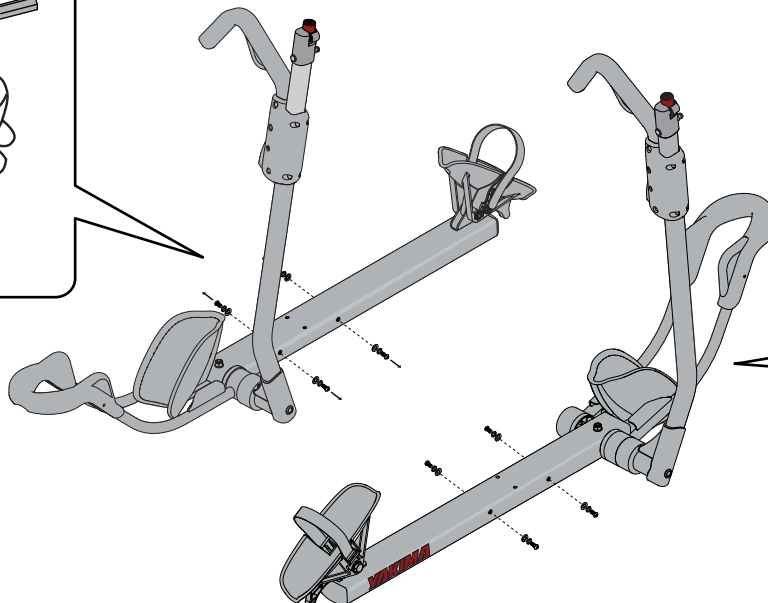
- Pull spring pin to release base.
- Lift frame.
- Release spring pin. Pin should snap into place.



5 REMOVE FASTENERS.

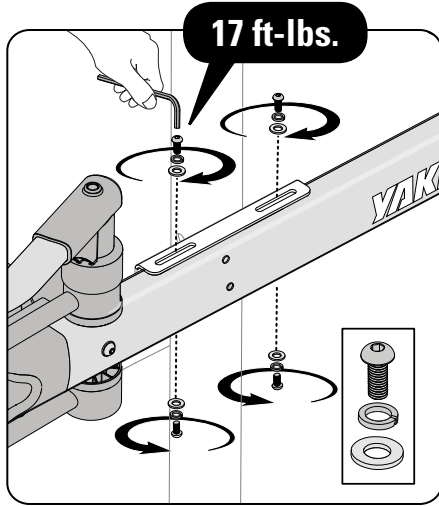


The fasteners are installed in the trays for shipping purposes. Remove them to prepare for assembly.



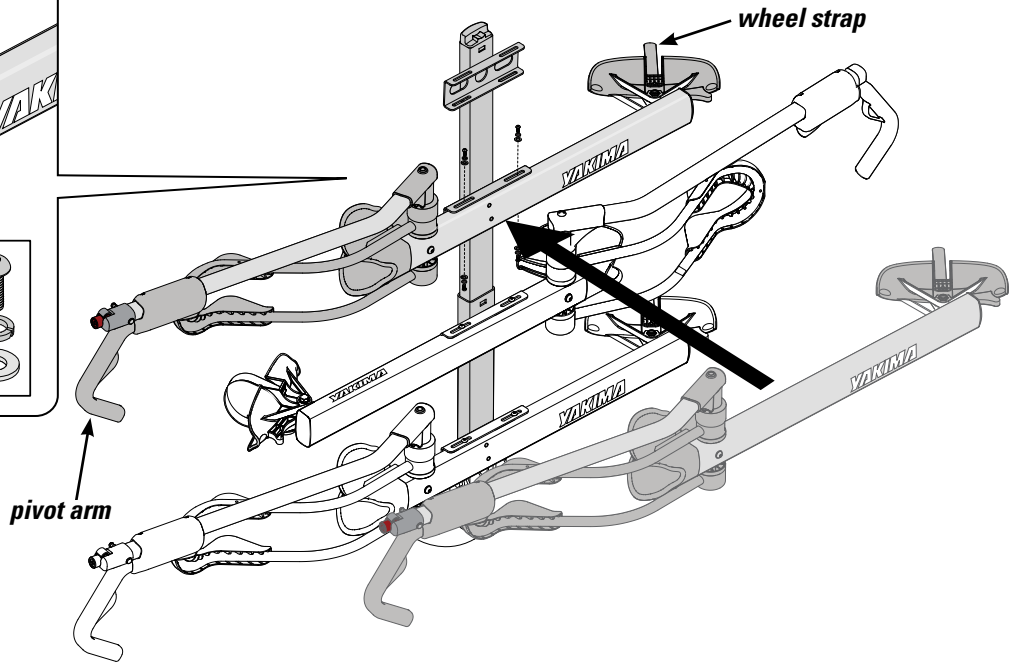
6 ATTACH FIRST TRAY TO BASE.

- Align holes in tray to be centered in slots on base.
- Install bolt, lock-washer, and washer, in order shown.
- Finger tighten all four bolts.
- Tighten with supplied wrench.



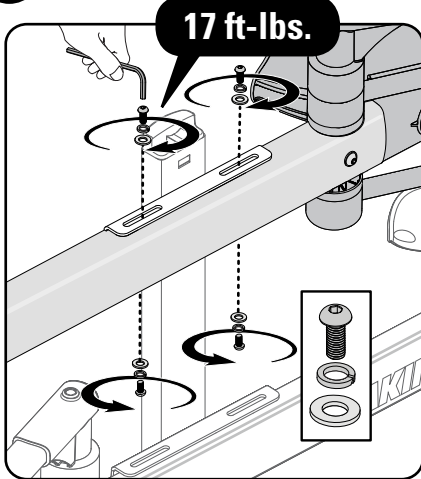
LOWER TRAY:

IMPORTANT: Wheel strap is to your right, and pivot arm is to your left.



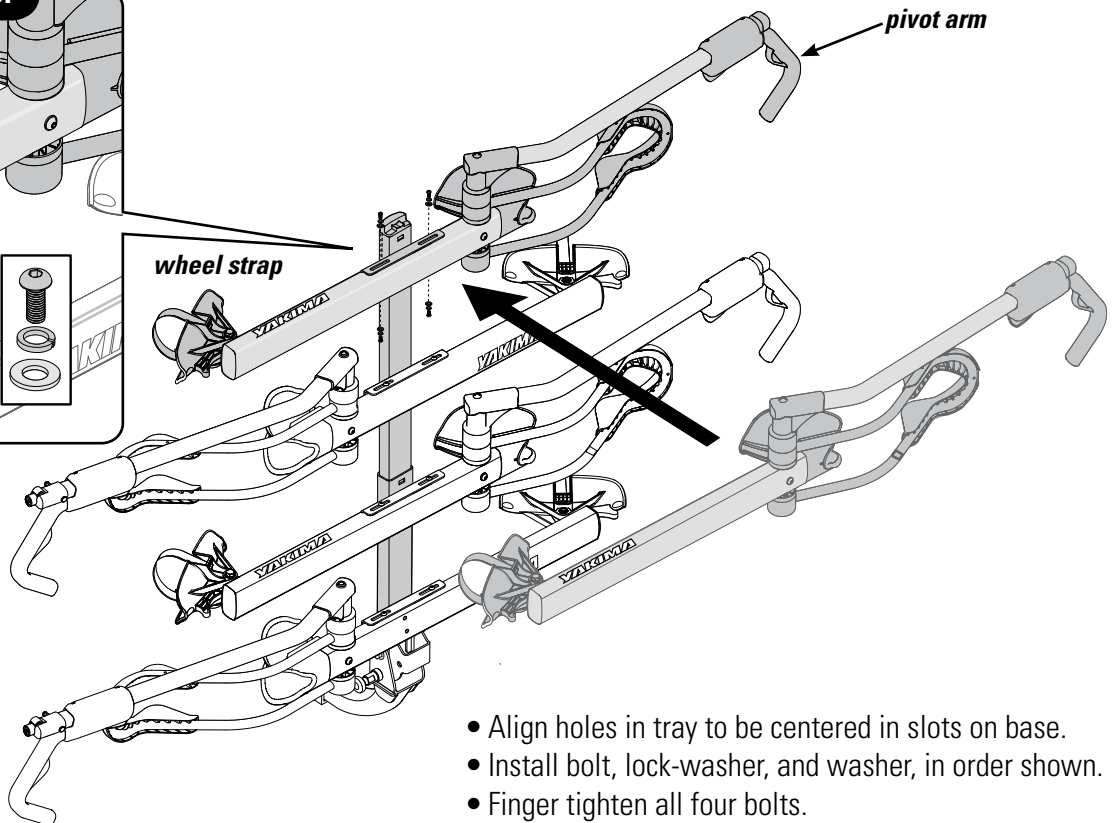
7 ATTACH SECOND TRAY TO BASE.

- Align holes in tray to be centered in slots on base.
- Install bolt, lock-washer, and washer, in order shown.
- Finger tighten all four bolts.
- Tighten with supplied wrench.



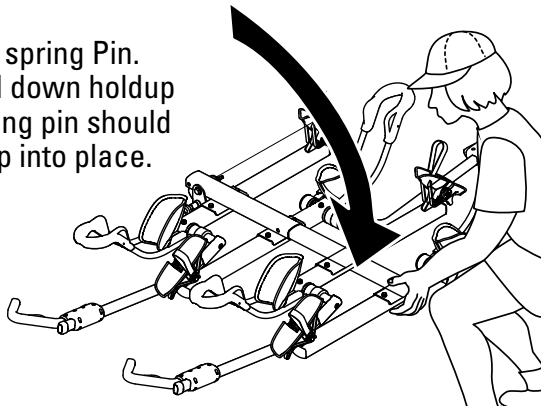
UPPER TRAY:

IMPORTANT: Wheel strap is to your left, and pivot arm is to your right.

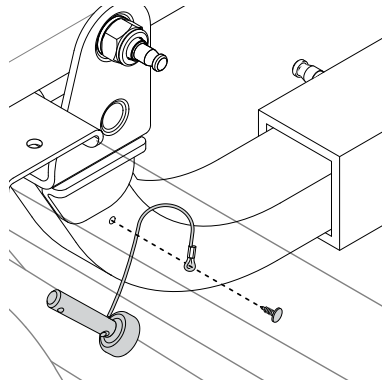


8 FOLD HOLDUP DOWN.

- Pull spring Pin.
- Fold down holdup
- Spring pin should snap into place.



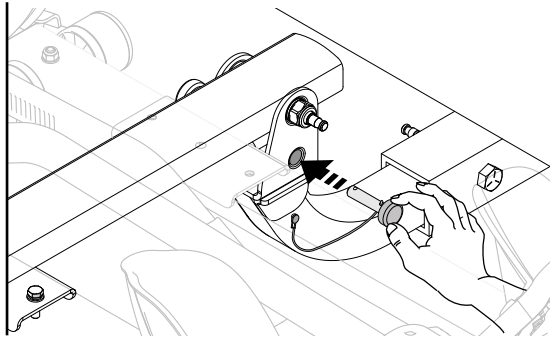
9 INSTALL STABILIZER PIN.



- Thread plug through loop on lanyard.
- Firmly press plug into hole on base.

10 INSERT STABILIZER PIN.

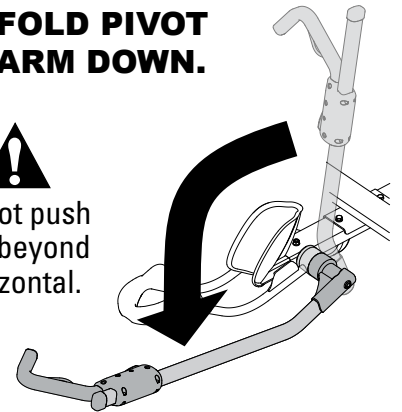
- ALWAYS USE STABILIZER PIN.
- Completely insert pin into hole. Pin will lock into place.
- Use pin when HoldUp Plus2 is in down position, or up position.



11 FOLD PIVOT ARM DOWN.

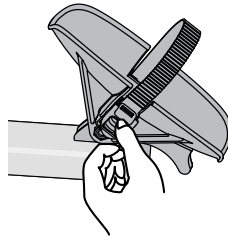


Do not push arm beyond horizontal.

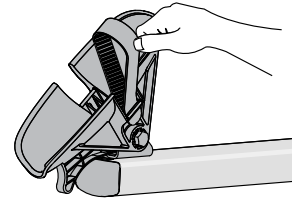


12 PREPARE FOR LOADING.

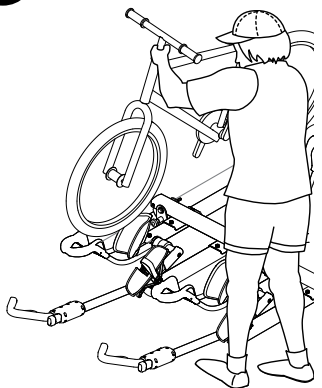
Release wheelstrap by pressing the lever on the buckle.



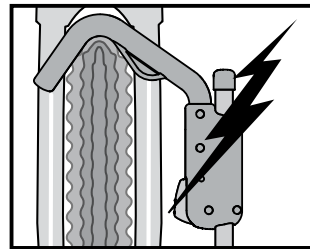
Tuck strap into slot at rear of wheeltray.



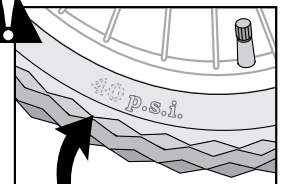
13 LOAD HEAVIEST BIKE FIRST.



CAUTION: If any part of your bike comes in contact with the red trigger, do not use this carrier with that bike.

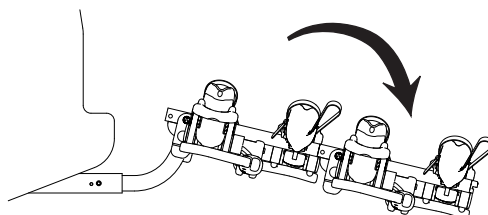


If a fender prevents proper placement of the wheel hook, remove the fender for proper and safe loading.



Do not install your bike if tire may go flat or has a slow leak. Lost tire pressure after install may result in an insecure load.

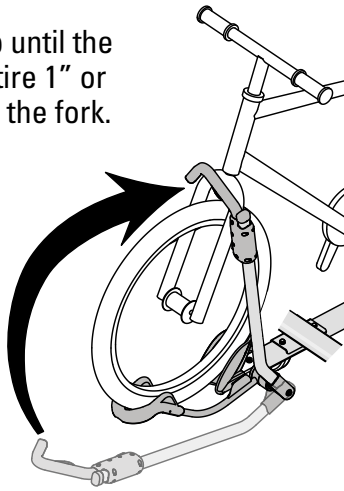
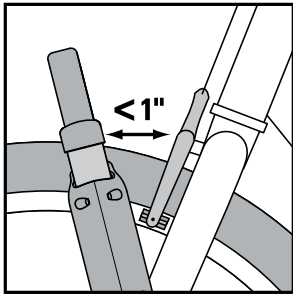
Note: HoldUp can fold down past horizontal to aid in loading your bikes.



Be sure to return the HoldUp to the locked horizontal position after loading.

14 SWING PIVOT ARM INTO PLACE.

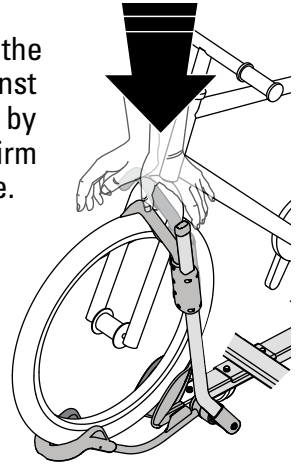
Rotate the pivot arm up until the hook rests on the bike tire 1" or less from the brakes or the fork.



Failure to place wheel hook in the correct position can cause your bicycle to eject, and cause personal injury, property damage, or death.

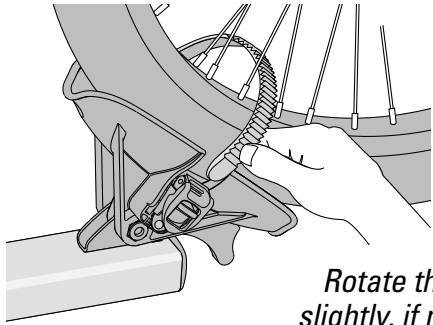
15 SECURE THE HOOK.

Compress the hook against the wheel by applying firm pressure.



16 SECURE REAR WHEEL STRAP.

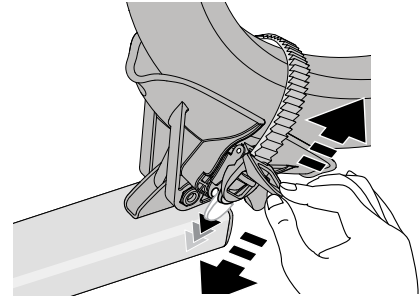
Feed the strap through the spokes of wheel.



Rotate the wheel slightly, if necessary.

17 TIGHTEN REAR WHEEL STRAP.

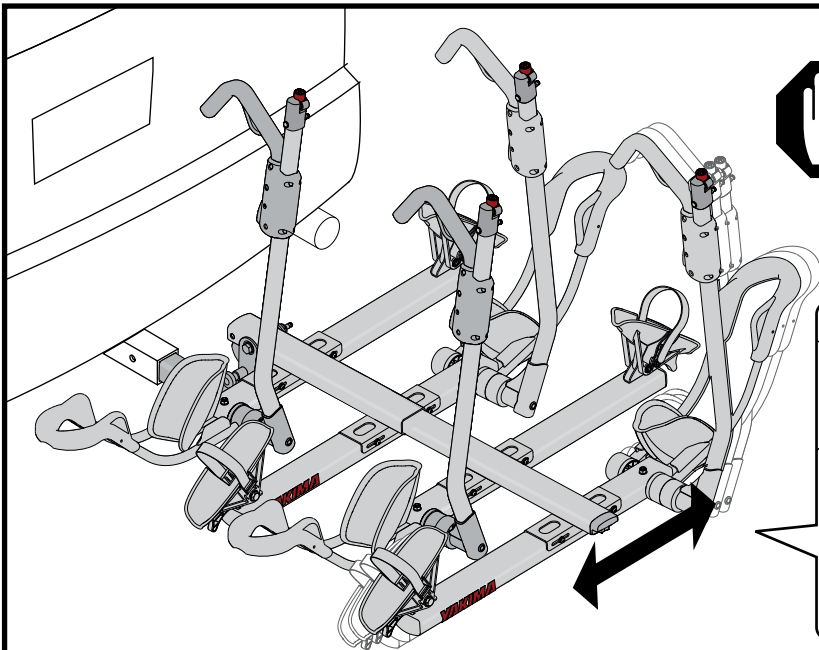
- Insert the strap end through the top of the ratchet buckle.
- Be sure the pad rests on the rim.



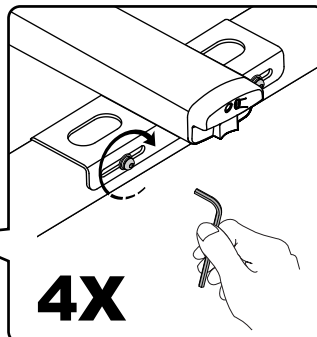
Move the ratchet tab up and down to tighten the strap.

18 LOAD ADDITIONAL BIKES.

- Refer to steps 11 through 17 to load additional bikes..
- Alternate bike direction with each additional bike

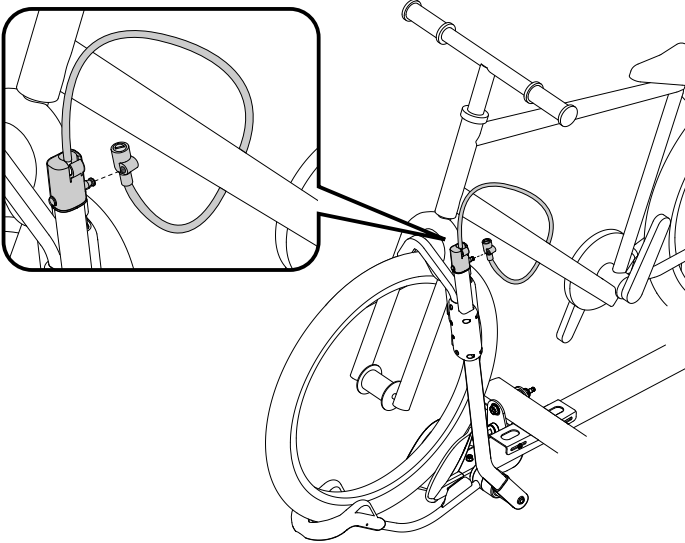


If you have bike to bike interference when loading two or more bikes, adjust trays as necessary to eliminate interference between bikes.



- Loosen the 4 tray bolts (do not remove bolts).
- Slide the tray left or right.
- Retighten the 4 tray bolts.
- Each tray can be adjusted.

19 ALWAYS USE INTEGRATED LOCKING CABLE WHEN TRANSPORTING BIKES.



- Access locking cables at the end of each pivot arm.
- Wrap locking cable around bike frame.
- Insert the pin from the pivot arm into hole at the end of the locking cable. Lock with key.

20

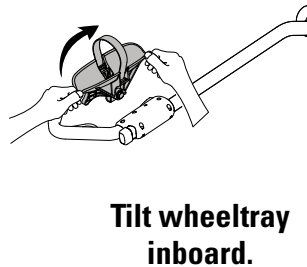
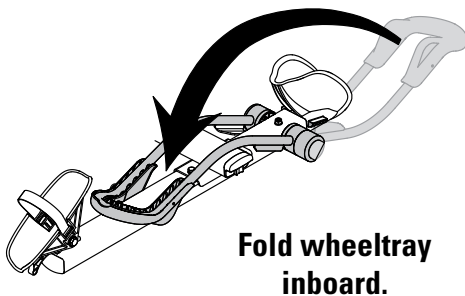


**CHECK THE
INSTALLATION
BEFORE
DRIVING AWAY.**

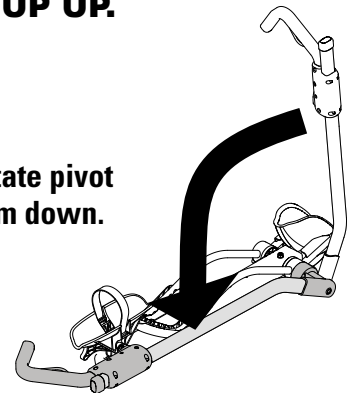
- PUSH HOOKS AGAINST TIRES.
- REAR WHEELS SECURED BY RATCHET STRAPS.
- BE SURE ALL HARDWARE IS SECURED ACCORDING TO INSTRUCTIONS.
- ALWAYS SECURE PIVOT ARM WHEN TRAY IS EMPTY.



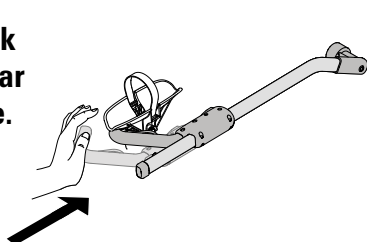
**SECURE PIVOT ARMS WHEN NOT IN USE.
WHEN NOT CARRYING BIKES ALWAYS FOLD HOLDUP UP.**



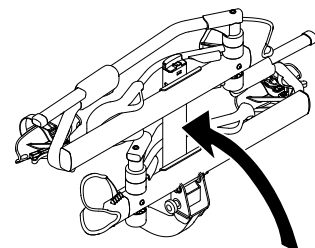
**Rotate pivot
arm down.**



**Slide the hook
against the rear
wheel cradle.**



Fold up HoldUp.



21 READ ALL WARNINGS ON NEXT PAGE BEFORE DRIVING AWAY.