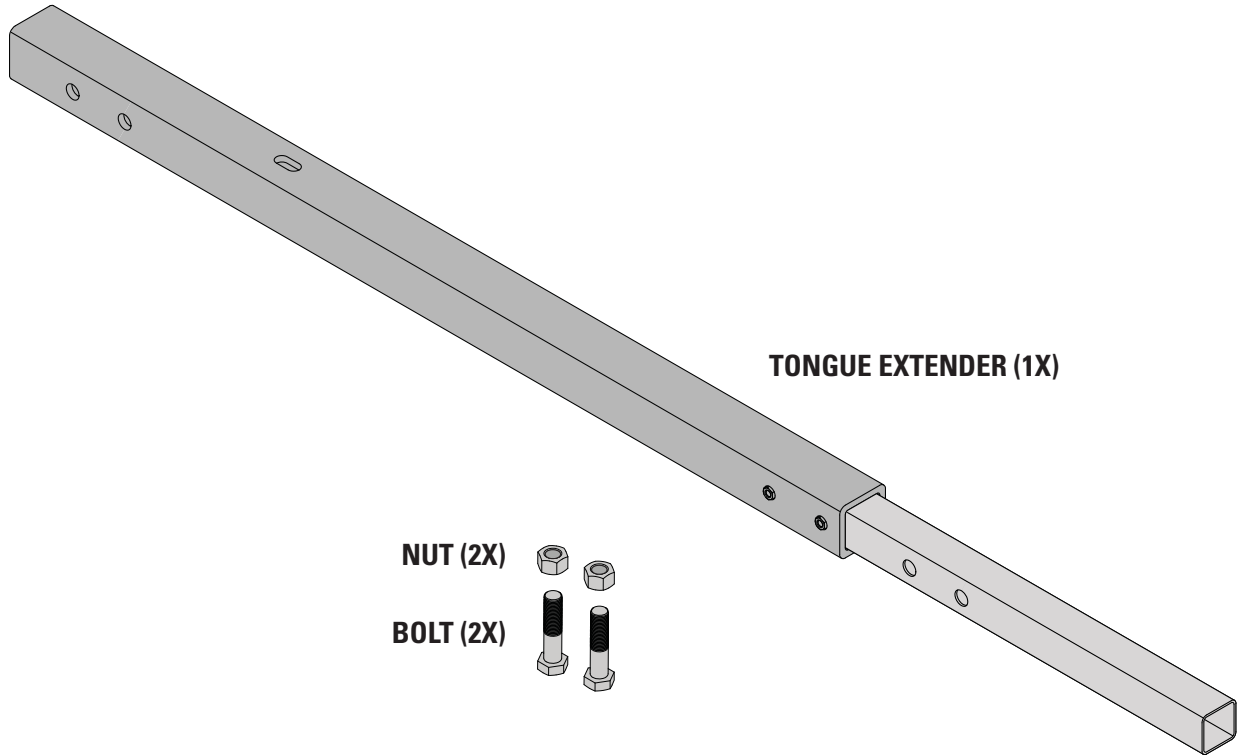


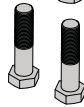
YAKIMA *Tongue Extender*



NUT (2X)



BOLT (2X)

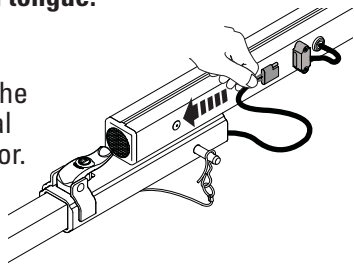


IMPORTANT WARNING

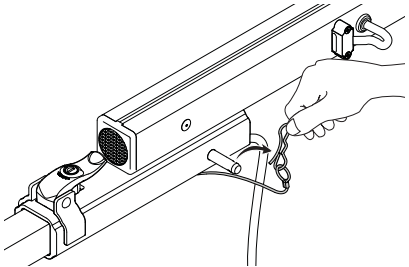
IT IS CRITICAL THAT ALL YAKIMA RACKS AND ACCESSORIES BE PROPERLY AND SECURELY ATTACHED TO YOUR VEHICLE. IMPROPER ATTACHMENT COULD RESULT IN AN AUTOMOBILE ACCIDENT, AND COULD CAUSE SERIOUS BODILY INJURY OR DEATH TO YOU OR TO OTHERS. YOU ARE RESPONSIBLE FOR SECURING THE RACKS AND ACCESSORIES TO YOUR CAR, CHECKING THE ATTACHMENTS PRIOR TO USE, AND PERIODICALLY INSPECTING THE PRODUCTS FOR ADJUSTMENT, WEAR, AND DAMAGE. THEREFORE, YOU MUST READ AND UNDERSTAND ALL OF THE INSTRUCTIONS AND CAUTIONS SUPPLIED WITH YOUR YAKIMA PRODUCT PRIOR TO INSTALLATION OR USE. IF YOU DO NOT UNDERSTAND ALL OF THE INSTRUCTIONS AND CAUTIONS, OR IF YOU HAVE NO MECHANICAL EXPERIENCE AND ARE NOT THOROUGHLY FAMILIAR WITH THE INSTALLATION PROCEDURES, YOU SHOULD HAVE THE PRODUCT INSTALLED BY A PROFESSIONAL INSTALLER.

1 Detach standard tongue.

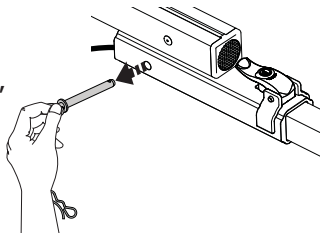
A Unplug the electrical connector.



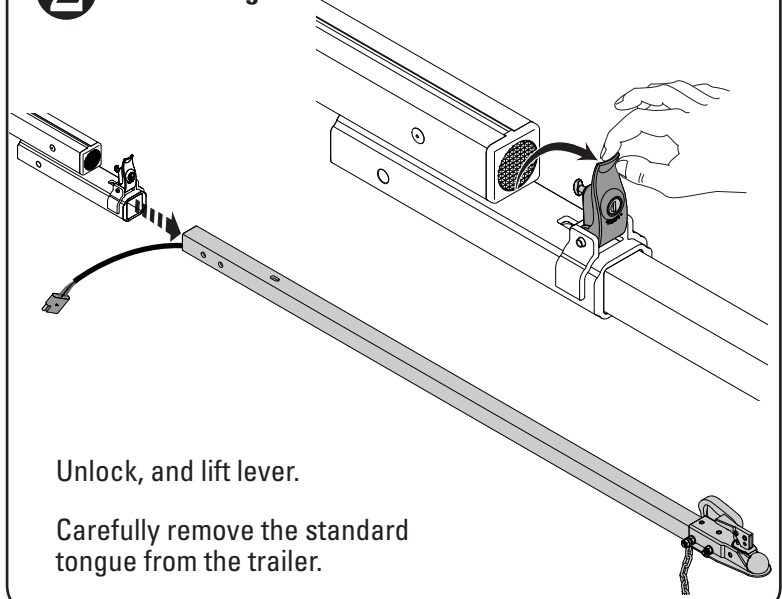
B Remove the safety pin.



C Remove main pin, and set aside.



2 Remove tongue.

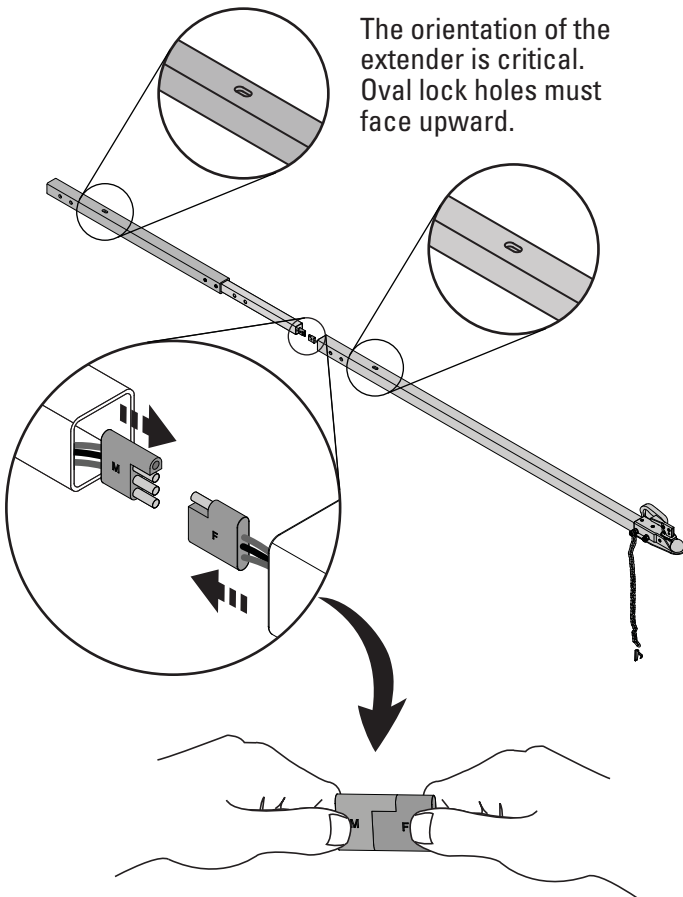


Unlock, and lift lever.

Carefully remove the standard tongue from the trailer.

3 Orientate and connect.

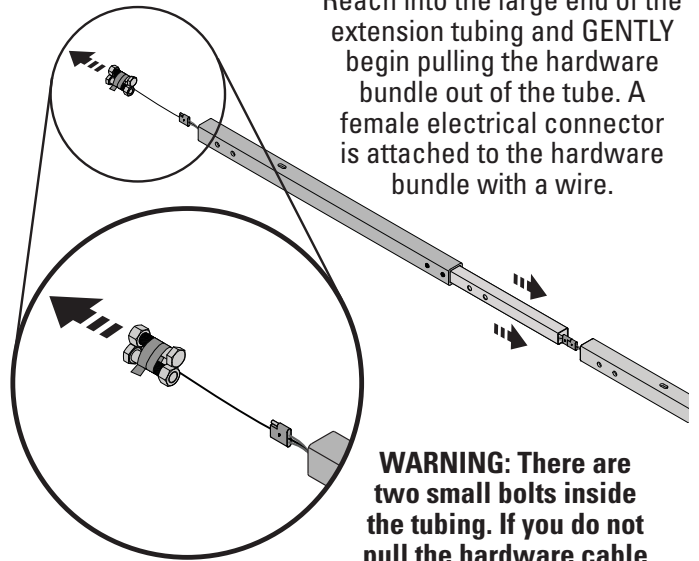
The orientation of the extender is critical. Oval lock holes must face upward.



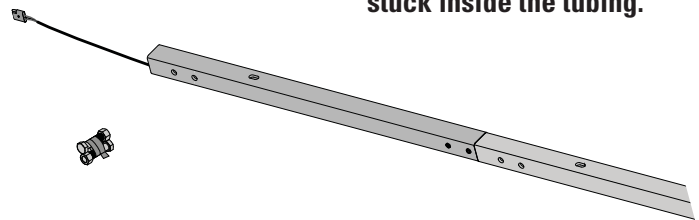
Connect the 3-pin male connector to the female connector. Be sure the connectors are firmly pressed together.

4 Gently pull hardware bundle from tube.

Reach into the large end of the extension tubing and GENTLY begin pulling the hardware bundle out of the tube. A female electrical connector is attached to the hardware bundle with a wire.



WARNING: There are two small bolts inside the tubing. If you do not pull the hardware cable out carefully the wire can snap off leaving the electrical connector stuck inside the tubing.



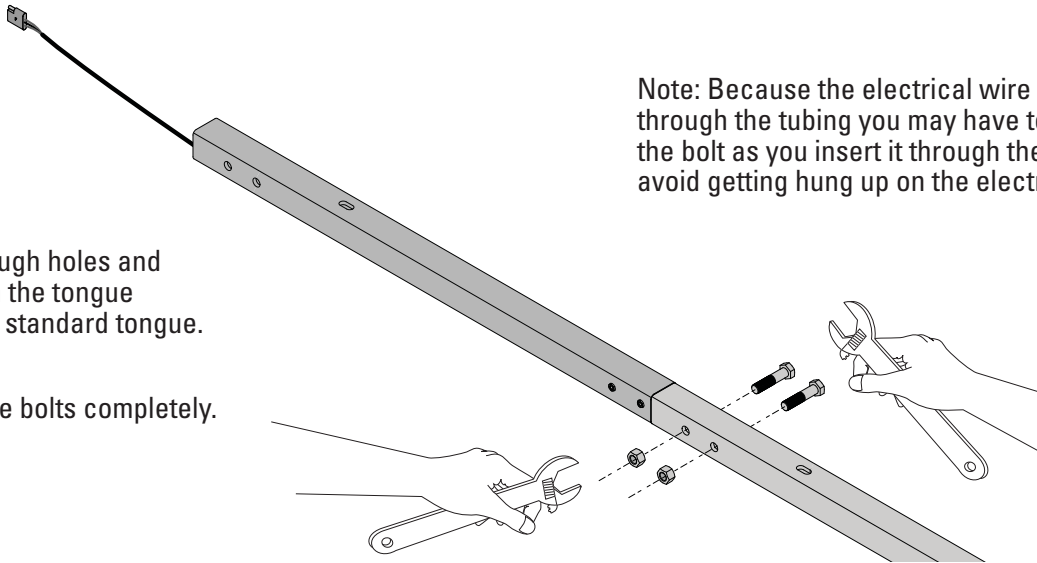
Begin to insert the extension into the standard tongue. As more slack is created continue to gently pull the electrical connector and wire out. Once the extension is completely inserted into the standard tongue, and the electrical connector has been fully exposed detach the wire from the hardware and connector, then proceed to the next step.

5 Fasten extension to standard tongue.

Insert bolts through holes and tighten to fasten the tongue extension to the standard tongue.

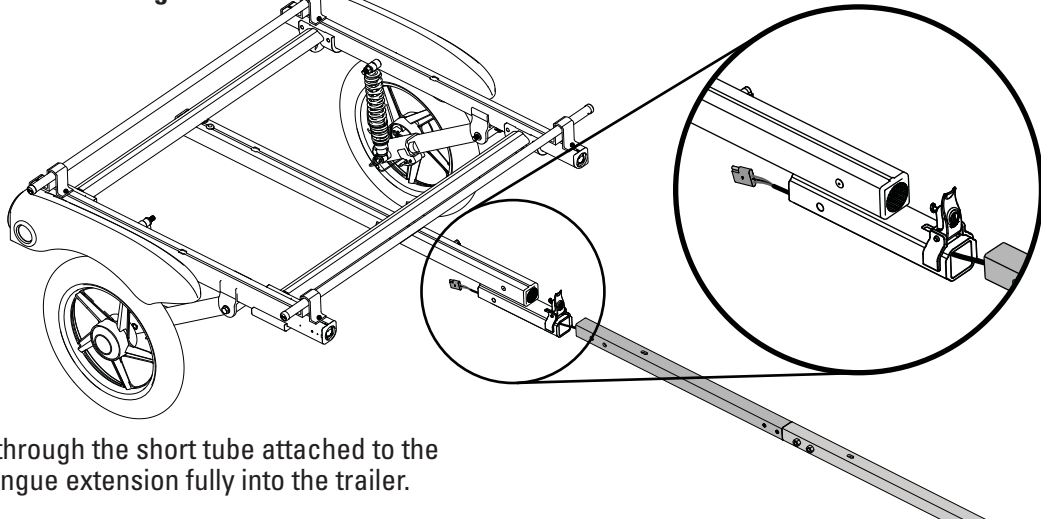
Tighten down the bolts completely.

Note: Because the electrical wire runs through the tubing you may have to wiggle the bolt as you insert it through the holes to avoid getting hung up on the electrical wire.



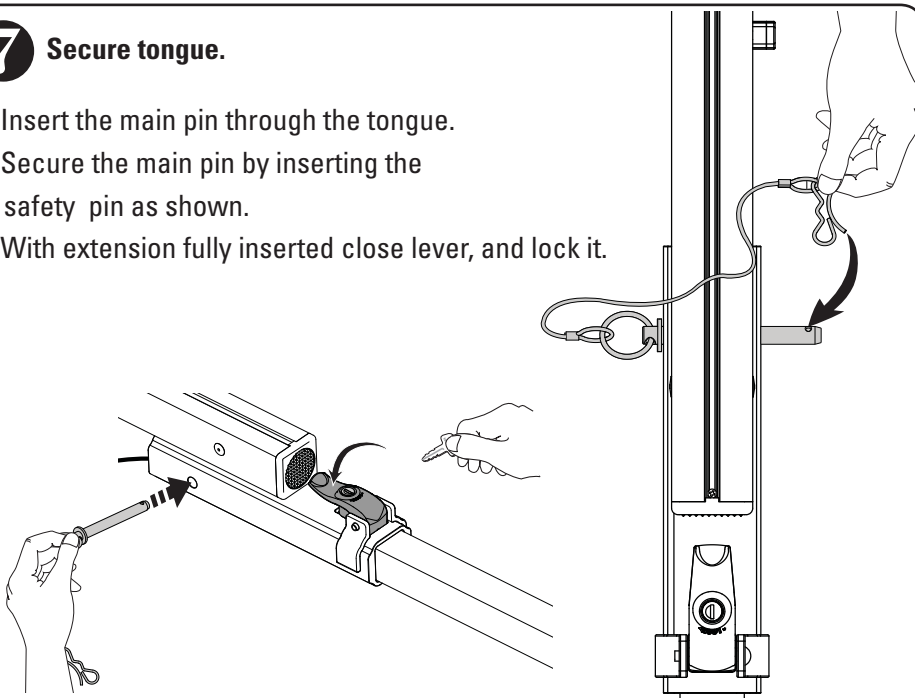
6 Insert wire and extended tongue.

Guide the connector through the short tube attached to the trailer. Insert the tongue extension fully into the trailer.



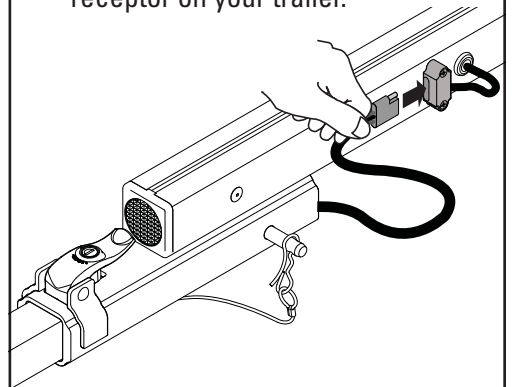
7 Secure tongue.

- Insert the main pin through the tongue.
- Secure the main pin by inserting the safety pin as shown.
- With extension fully inserted close lever, and lock it.



8 Connect the electrical wire.

Plug the electrical wire into the electrical receptor on your trailer.



Test your lights. Be sure your lights are functioning properly before driving away.