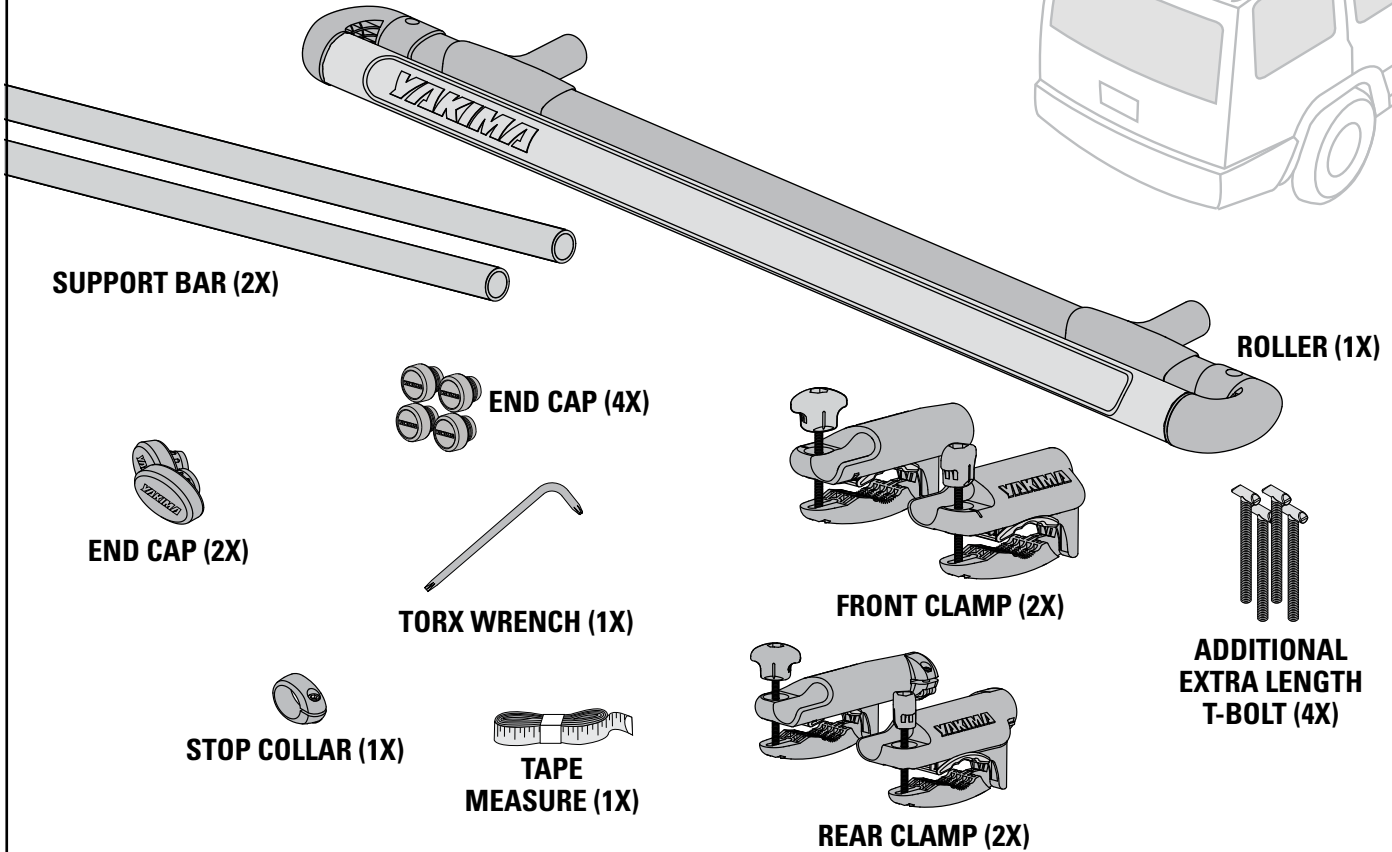
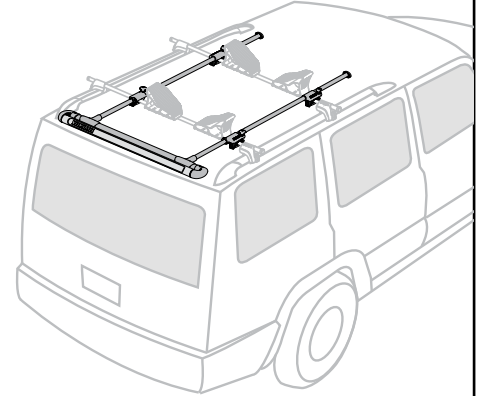
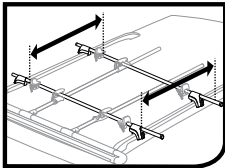


# YAKIMA *ShowBoat 66"*

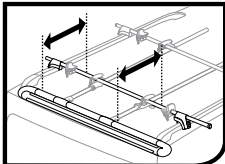
**FOR FACTORY RACKS:** Check fitlist notes, for your vehicle's crossbar spread.



**CROSSBAR SPREAD**



**ROLLER EXTENSION**



## USE THIS CHART TO FINE TUNE YOUR VEHICLE AND BOAT WEIGHT

Boat Weight	Crossbar Spread	Maximum Roller Extension
Up to 35 lb/15.9 kg	24" to 28"/61 to 71cm	34"/86 cm
35 lb/15.9 kg to 50 lb/22.7 kg	24" to 32"/61 to 81cm	30" /76 cm
50 lb/22.7 kg to 80 lb/36.3 kg	30" to 38"/76 to 97cm	24"/61 cm

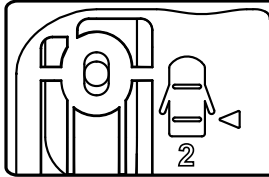


### IMPORTANT WARNING

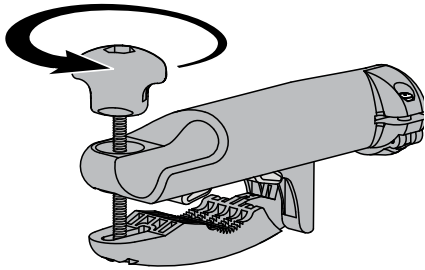
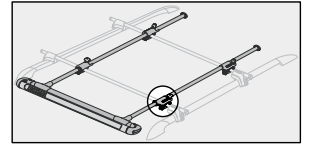
IT IS CRITICAL THAT ALL YAKIMA RACKS AND ACCESSORIES BE PROPERLY AND SECURELY ATTACHED TO YOUR VEHICLE. IMPROPER ATTACHMENT COULD RESULT IN AN AUTOMOBILE ACCIDENT, AND COULD CAUSE SERIOUS BODILY INJURY OR DEATH TO YOU OR TO OTHERS. YOU ARE RESPONSIBLE FOR SECURING THE RACKS AND ACCESSORIES TO YOUR CAR, CHECKING THE ATTACHMENTS PRIOR TO USE, AND PERIODICALLY INSPECTING THE PRODUCTS FOR ADJUSTMENT, WEAR, AND DAMAGE. THEREFORE, YOU MUST READ AND UNDERSTAND ALL OF THE INSTRUCTIONS AND CAUTIONS SUPPLIED WITH YOUR YAKIMA PRODUCT PRIOR TO INSTALLATION OR USE. IF YOU DO NOT UNDERSTAND ALL OF THE INSTRUCTIONS AND CAUTIONS, OR IF YOU HAVE NO MECHANICAL EXPERIENCE AND ARE NOT THOROUGHLY FAMILIAR WITH THE INSTALLATION PROCEDURES, YOU SHOULD HAVE THE PRODUCT INSTALLED BY A PROFESSIONAL INSTALLER.

# 1 PREPARE REAR PASSENGER SIDE CLAMP

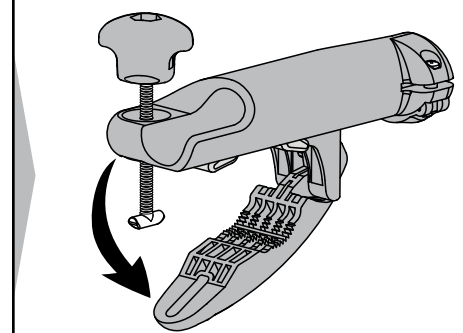
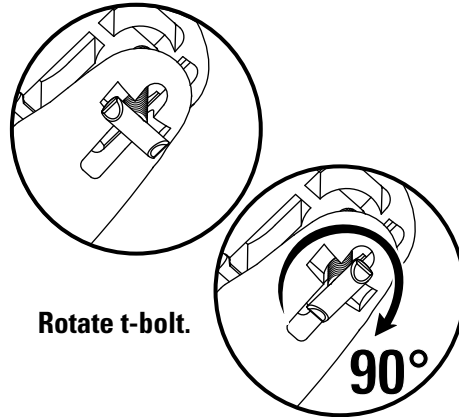
Some thicker factory bars may require the use of the longer t-bolts included with this product.



Tip: Identify clamp by reading icon on underside of clamp. Here the rear passenger side icon is shown.



Back off adjustment knob all the way (but do not remove it).

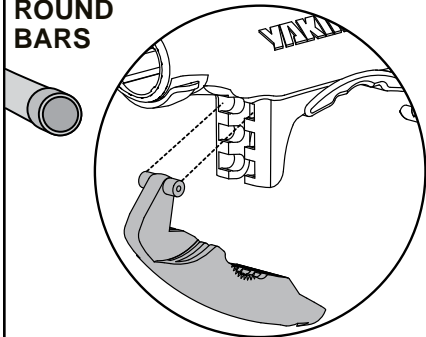


Open the clamp.

# 2 ADJUST BAIL POSITION

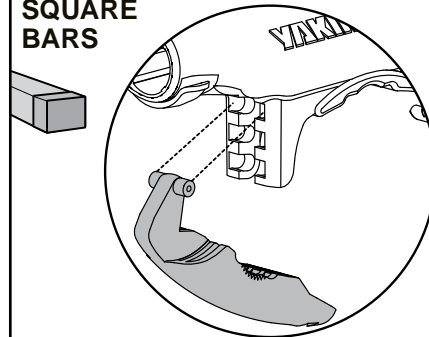
If necessary, remove bail from current notch in clamp, and snap it into correct notch in clamp.

ROUND BARS



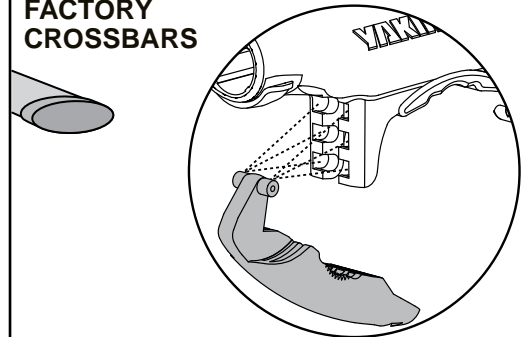
TOP NOTCH

SQUARE BARS



UPPER NOTCH

FACTORY CROSSBARS

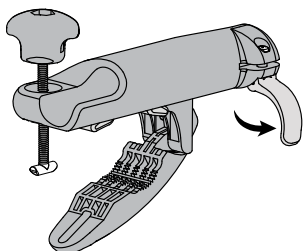


CHOOSE BEST NOTCH FOR MOST SECURE GRIP

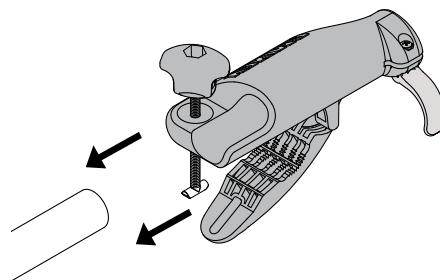


Be sure to check ShowBoat carton, or Yakima.com for approved fits.

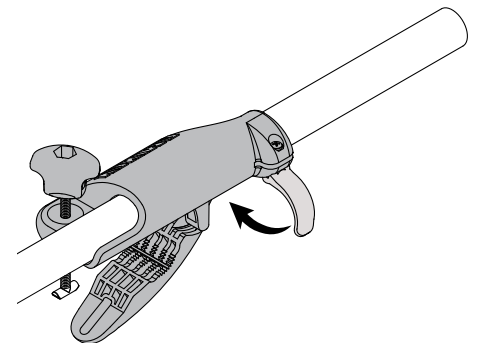
# 3 PLACE REAR CLAMP ON SUPPORT BAR



Open the red lever.

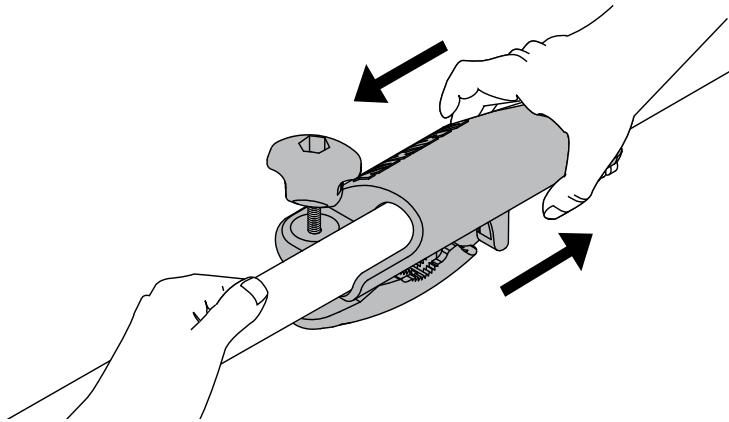


Slide clamp onto the bar.



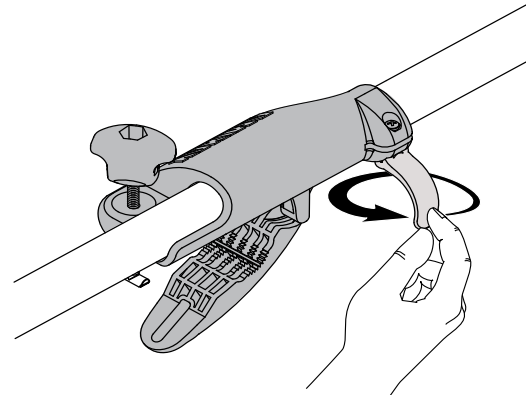
Close red lever.

#### 4 CHECK TO SEE IF CLAMP IS ADJUSTED PROPERLY



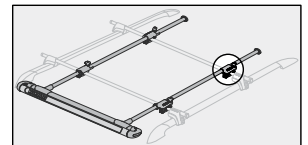
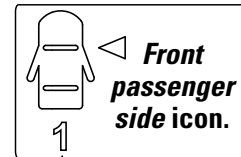
The clamp should not move with red lever in closed position, but should slide freely with red lever open.

To tighten clamp, open the red lever, and rotate clockwise a full turn as shown. Then close red lever, and check to be sure clamp does not slide on bar. Repeat as necessary.

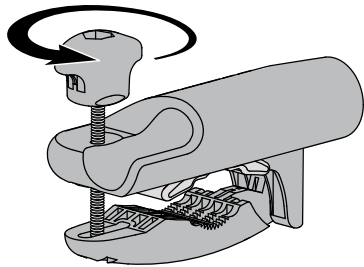


#### 5 PREPARE FRONT PASSENGER SIDE CLAMP

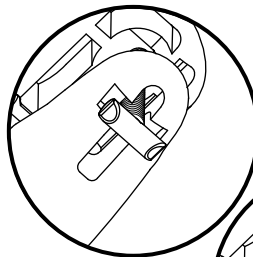
Some thicker factory bars may require the use of the longer t-bolts included with this product.



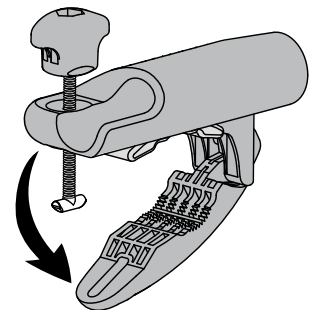
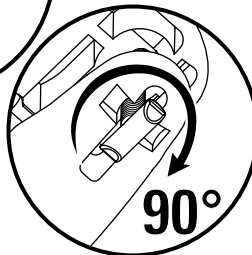
(Disregard number for kayak installation.)



Back off adjustment knob all the way (but do not remove it).



Rotate t-bolt.



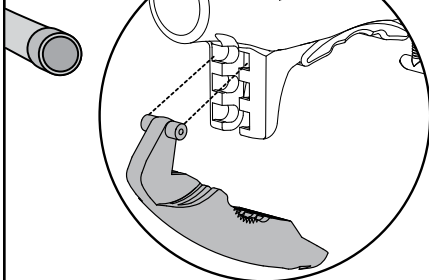
Open the clamp.

#### 6 ADJUST BAIL POSITION



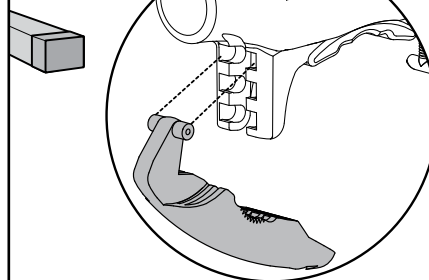
If necessary, remove bail from current notch in clamp, and snap it into correct notch in clamp.

ROUND BARS



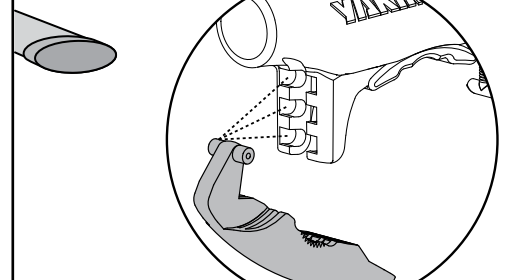
TOP NOTCH

SQUARE BARS



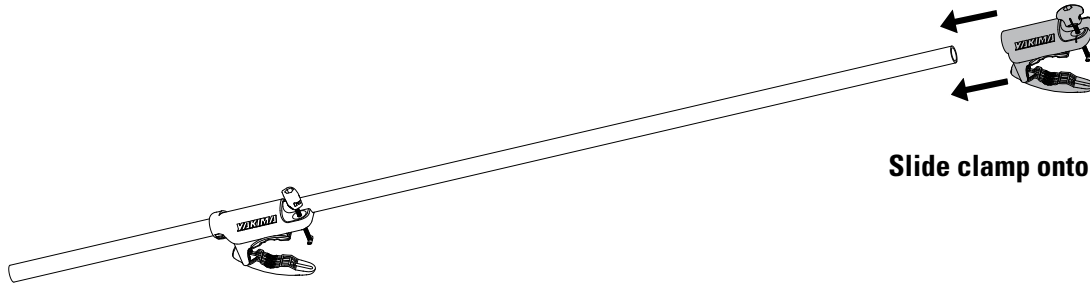
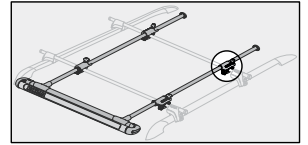
UPPER NOTCH

FACTORY CROSSBARS



CHOOSE BEST NOTCH FOR MOST SECURE GRIP

## 7 PLACE FRONT CLAMP ON SUPPORT BAR



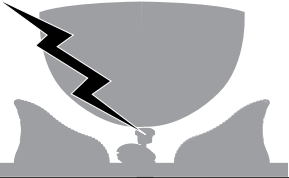
Slide clamp onto the bar.

## 8 PLACE SUPPORT BAR AND CLAMPS ONTO CROSSBARS (FOR MULTIPLE BOATS GO TO STEP 21 FOR BAR PLACEMENT OPTIONS)

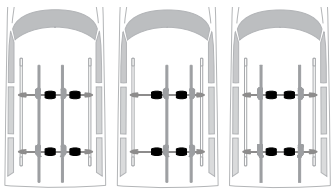
**NOTE:** A friend's help can make this step easier when working on a tall vehicle.



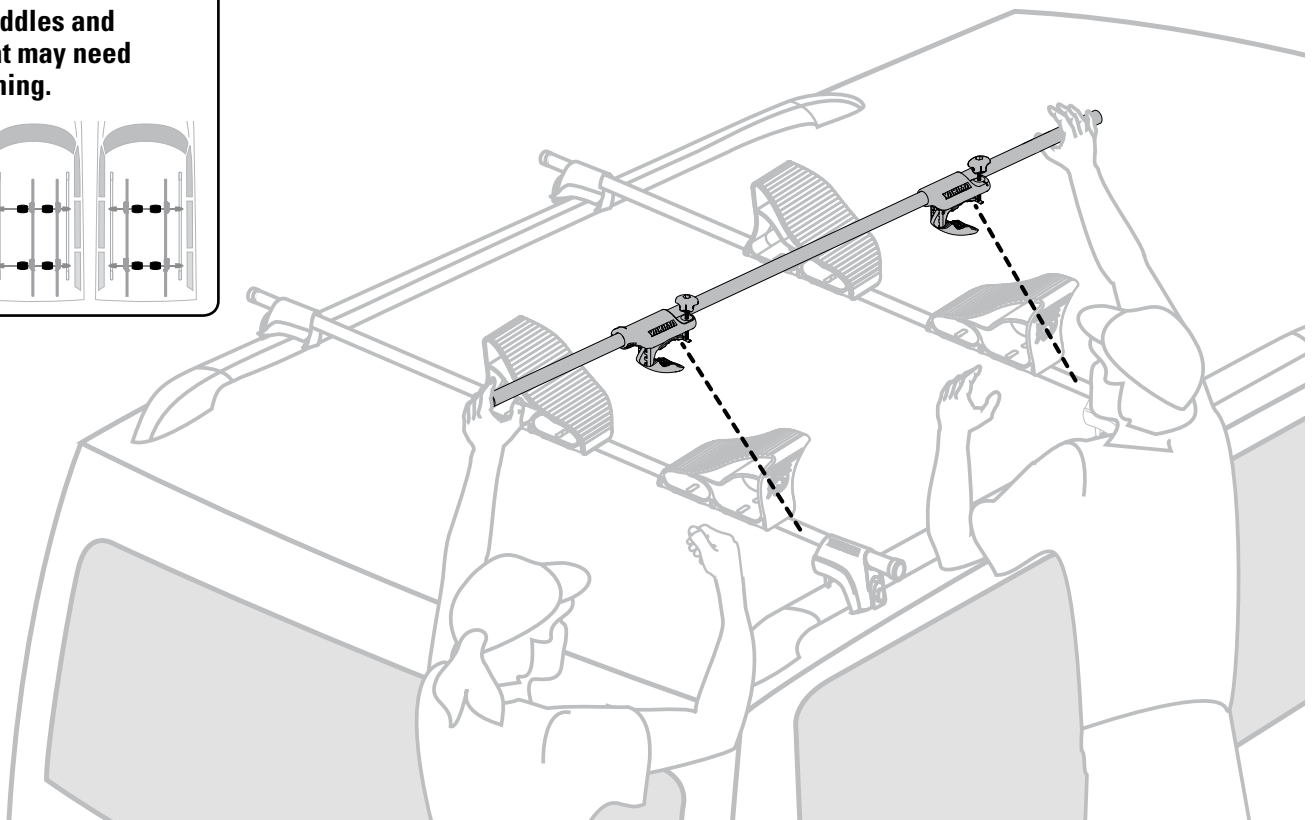
**CAUTION:** Potential for contact between hull and ShowBoat! Re-position if necessary.



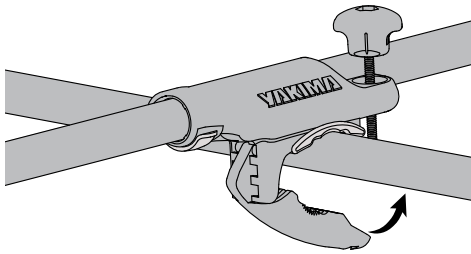
**NOTE:** Saddles and ShowBoat may need repositioning.



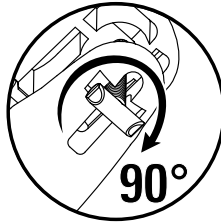
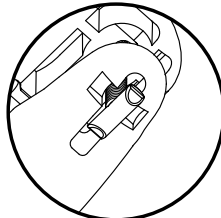
Set the support bar and clamp assembly onto your crossbars being careful not to damage your vehicle. Align the clamps to rest on the crossbars.



**9** CLOSE AND TIGHTEN REAR CLAMP (DO NOT FULLY TIGHTEN)

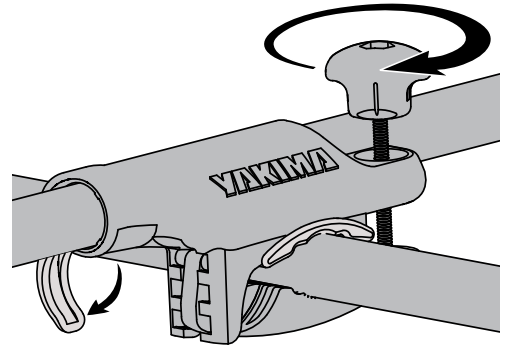


Close rear clamp around crossbar.



Pass the t-bolt through bail, and turn the t-bolt 90° to rest in slot.

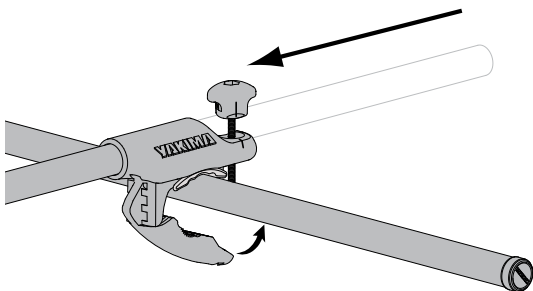
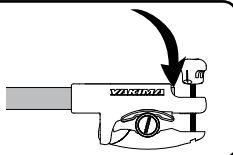
Tighten the adjustment knob just enough to hold clamp in place.



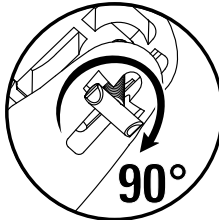
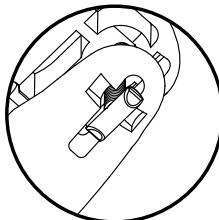
Open red lever before proceeding to next step.

**10** CLOSE AND TIGHTEN FRONT CLAMP (DO NOT FULLY TIGHTEN)

Slide support bar back, past adjustment knob.

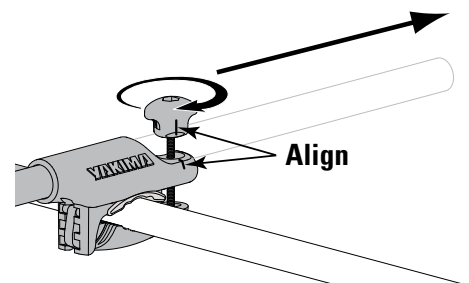


Close front clamp around crossbar.



Pass the t-bolt through bail, and turn the t-bolt 90° to rest in slot.

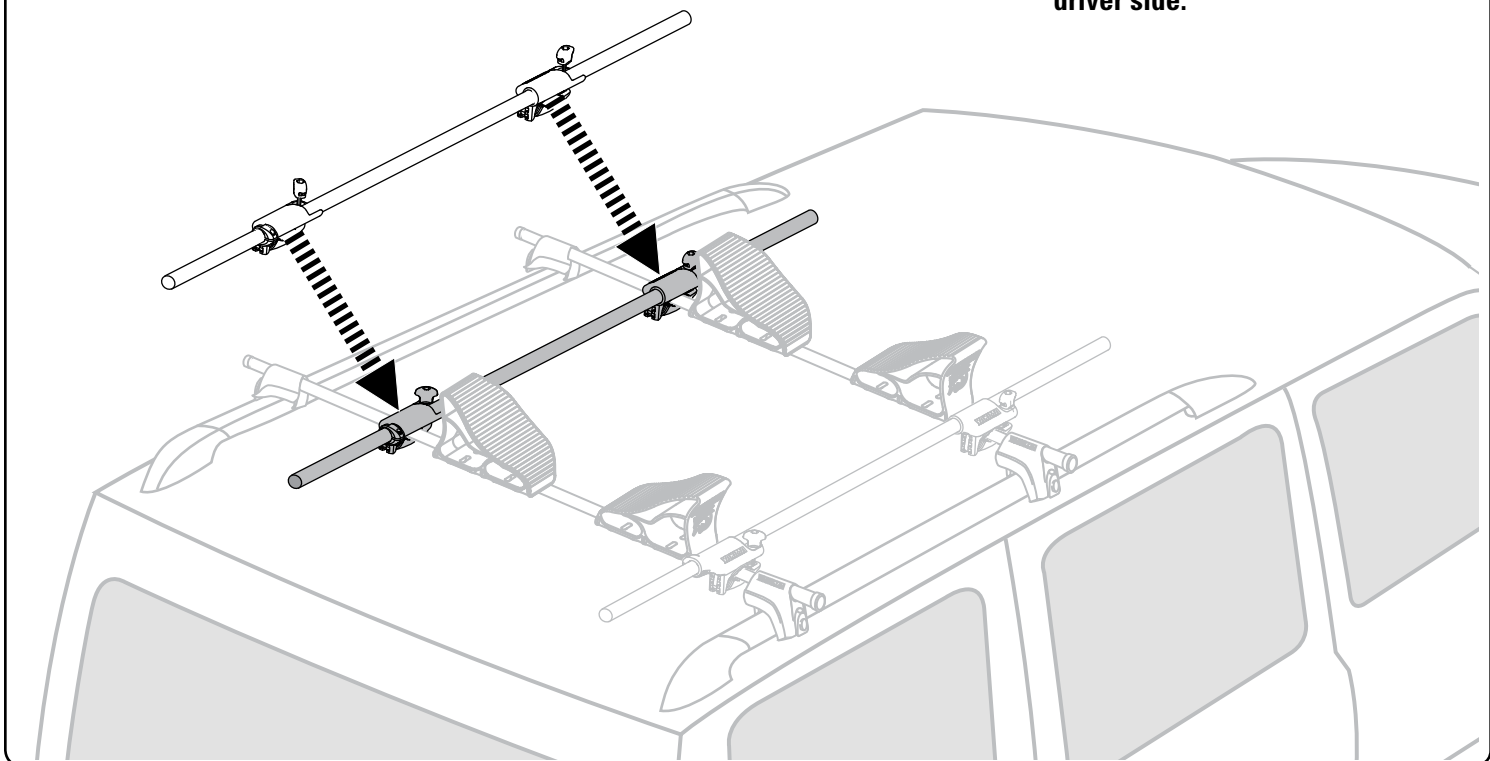
Tighten the adjustment knob. Align markings on clamp and adjustment knob.



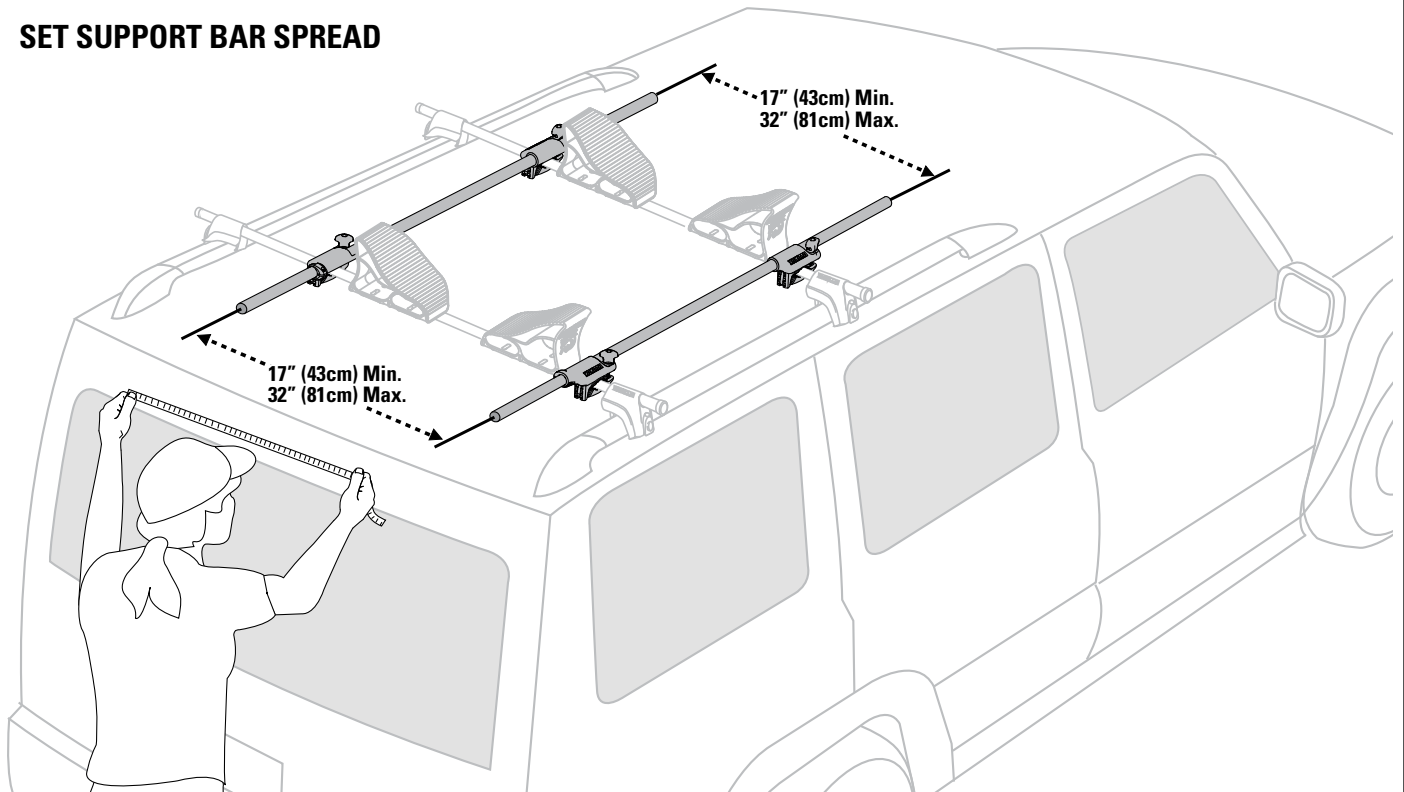
Then slide support bar forward through clamp.

# 11 INSTALL DRIVER SIDE SUPPORT BAR AND CLAMPS


Repeat steps 1 through 10 for the driver side.



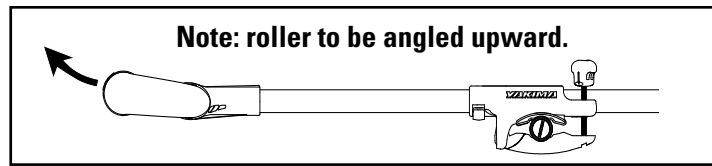
# 12 SET SUPPORT BAR SPREAD



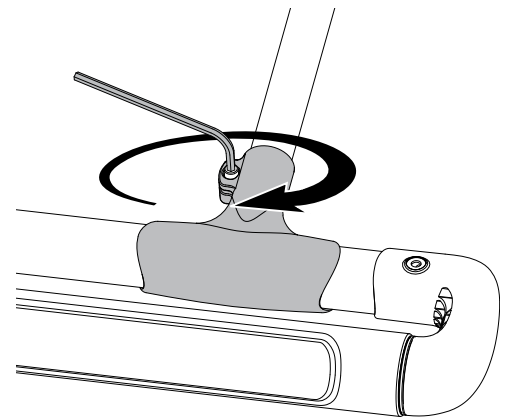
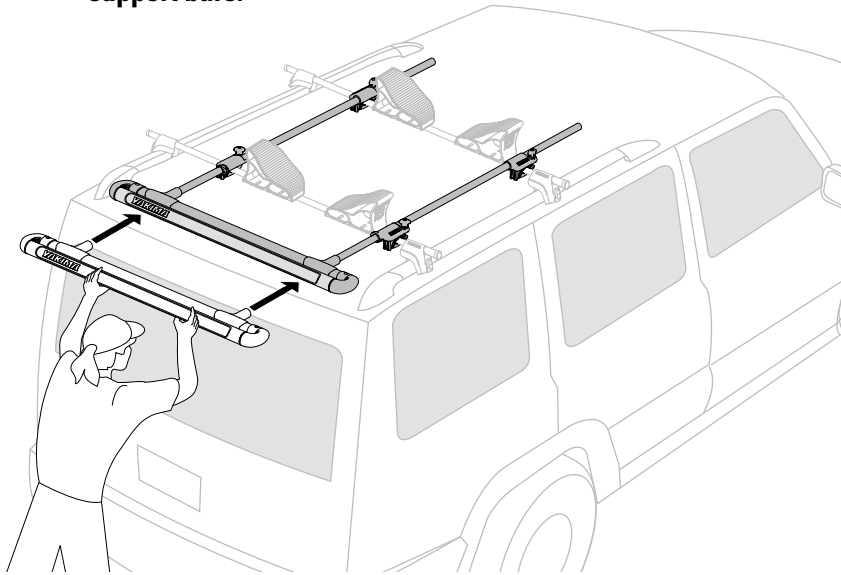
Ensure that distance between left and right support bars are the same at the front and rear of vehicle.

 **17" (43cm) IS THE MINIMUM SPREAD.**  
**32" (81cm) IS THE MAXIMUM SPREAD.**

### 13 INSTALL ROLLER



With red levers in closed position, slide roller onto support bars.



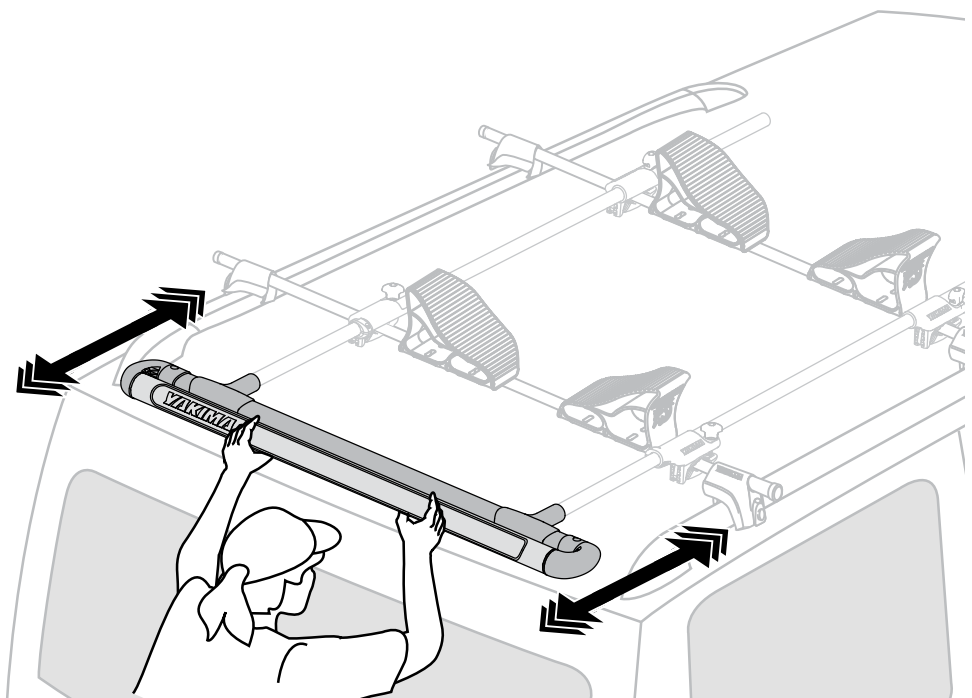
Use the provided wrench to tighten the bolts on each side.



Be sure that support bar is fully inserted into t-lug before tightening.

### 14 ALIGN SUPPORT BARS

Open both red levers. Slide roller and support bars back and forth to check for smooth operation. This action will help to align support bars.

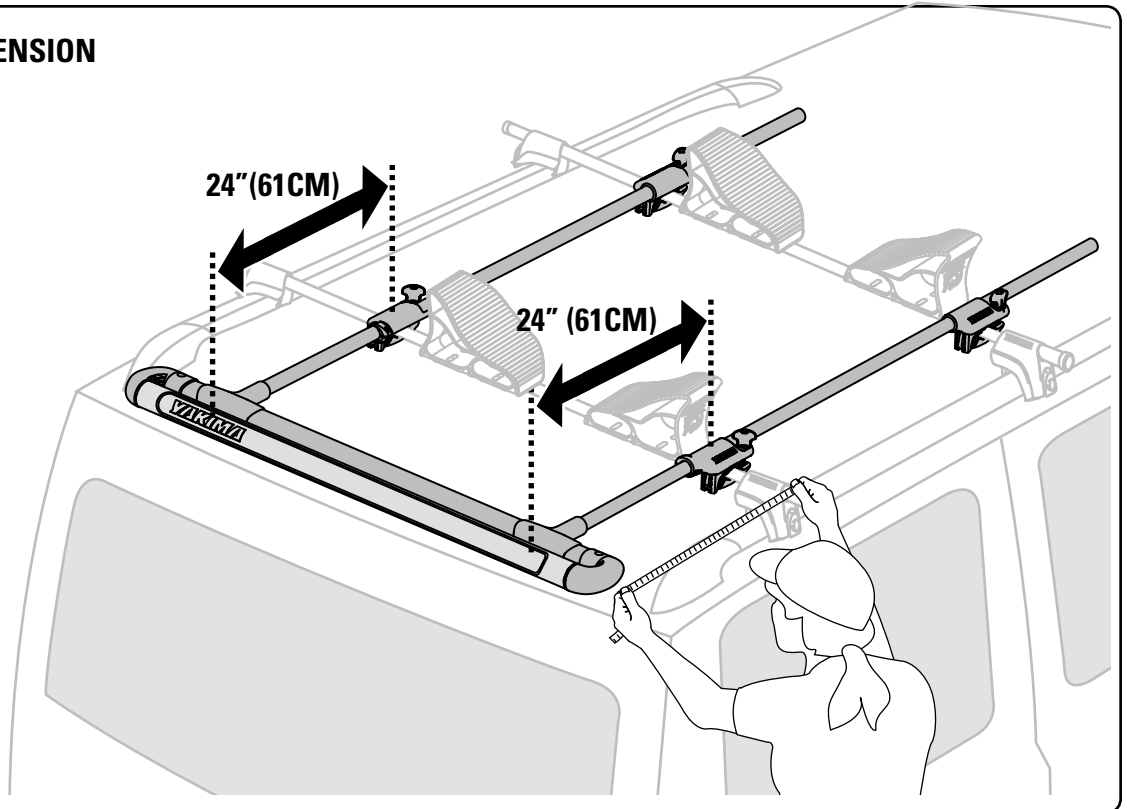


Once aligned, tighten the front clamps completely, using firm pressure. Be sure to align front knobs' markings with markings on clamps. No interference between knobs and support bars should occur. Then tighten rear clamps with firm pressure.

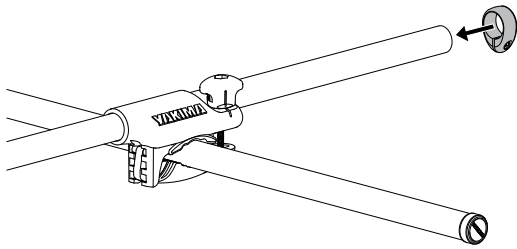
## 15 SET MAXIMUM EXTENSION

Set distance from center of roller to center of rear crossbar at 24" (61cm).

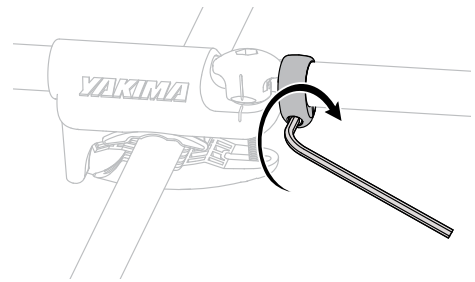
Close the red levers.



## 16 INSTALL STOP COLLAR



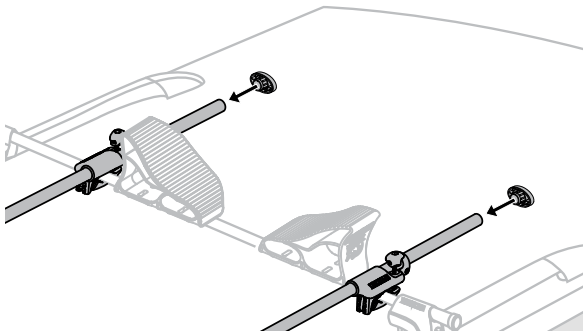
Slide stop collar on passenger side support bar.



Use the provided wrench to tighten the bolt.

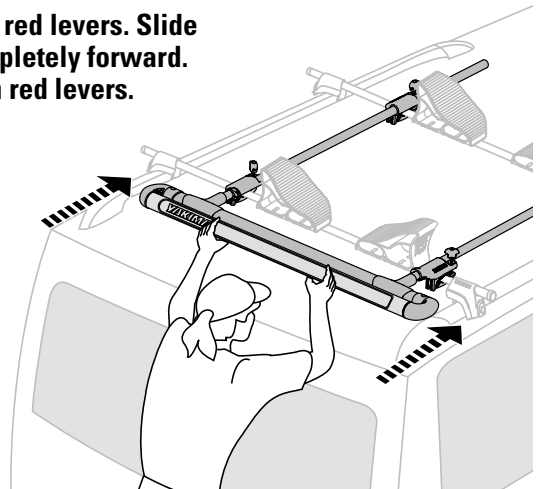
## 17 INSTALL END CAPS

Push end caps into support bar with firm pressure.



## 18 ALWAYS SECURE ROLLER WHEN OPERATING VEHICLE

Open both red levers. Slide roller completely forward. Close both red levers.





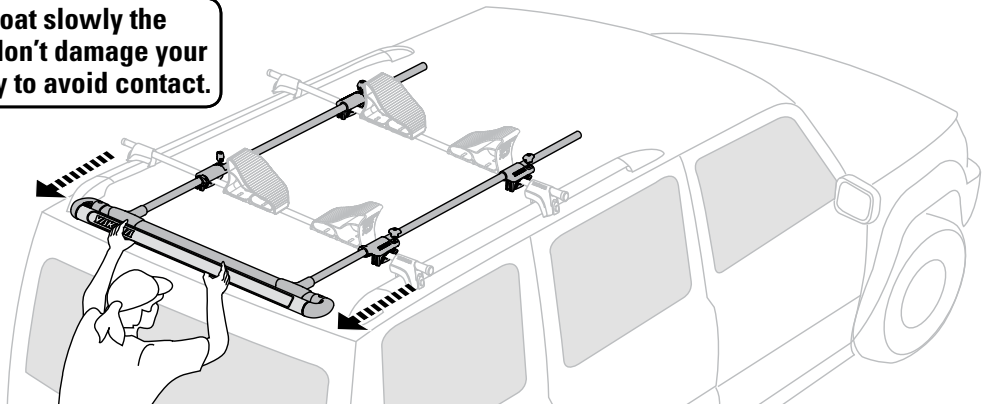
## LOADING YOUR BOAT(S)

19

**NOTE:** Be sure to load your boat slowly the first time to ensure that you don't damage your hull. Re-position if necessary to avoid contact.

Open both red levers. Pull middle of roller backward until it meets the stop collar. Close red levers.

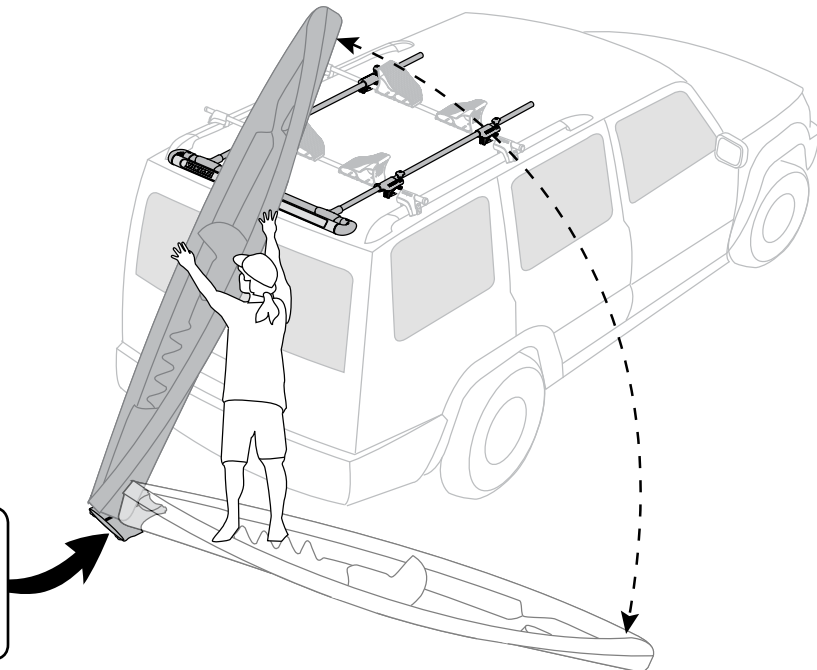
**NOTE:** If roller does not extend easily, re-align the clamps (step 14).



Lean boat against roller so that no contact between boat and vehicle occurs.

**NOTE:** Always keep one hand on boat while loading.

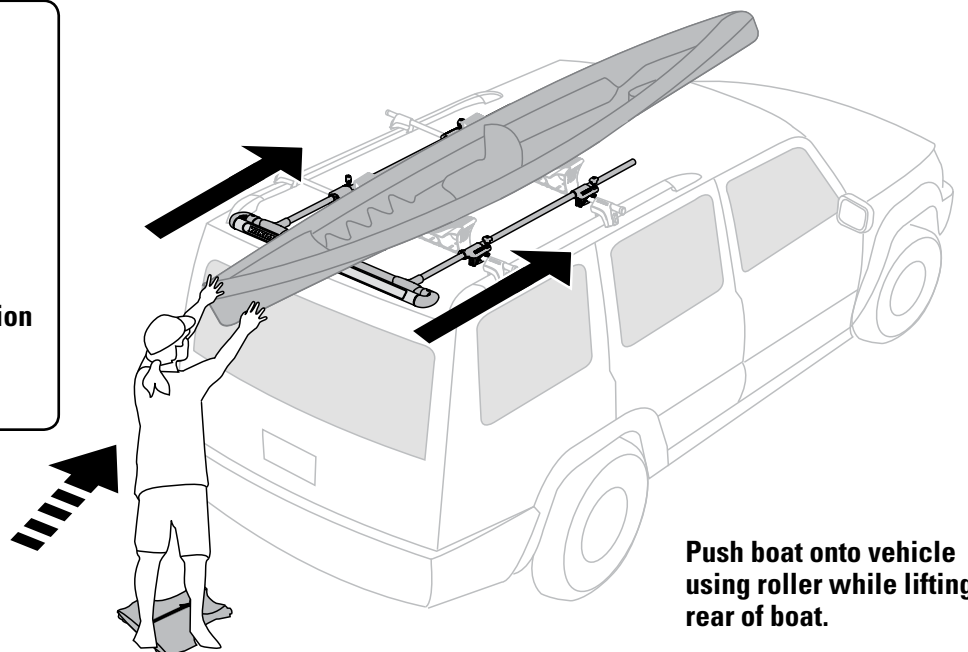
**TIP:** To protect your boat's finish use your personal floatation device (PFD) to rest your boat on.



**CAUTION:** Potential for contact between hull and ShowBoat!



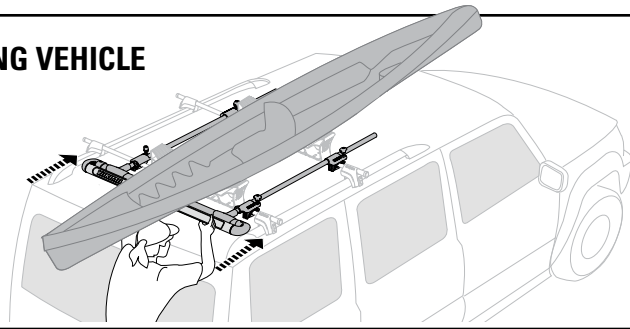
For more clearance, canoe installation is recommended, but with roller installed in upward orientation.



Push boat onto vehicle using roller while lifting rear of boat.

**20 ALWAYS SECURE ROLLER BEFORE OPERATING VEHICLE**

Open red levers and push roller completely forward. Close red levers.

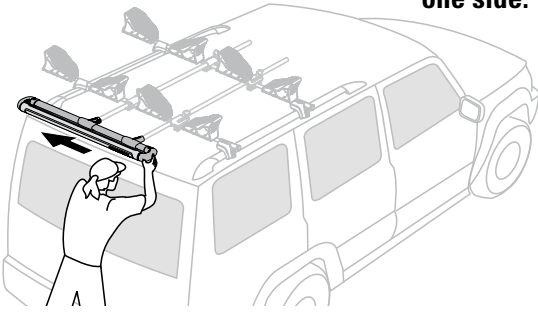


*Failure to secure boat(s) to mounts, or front and rear of long loads to ends of vehicle can result in property damage, personal injury, or death. See your accessory mount instruction for proper procedure.*

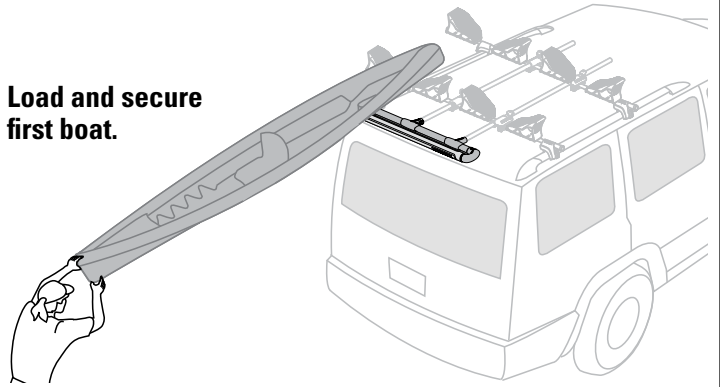
**LOADING MULTIPLE BOATS**

**21**

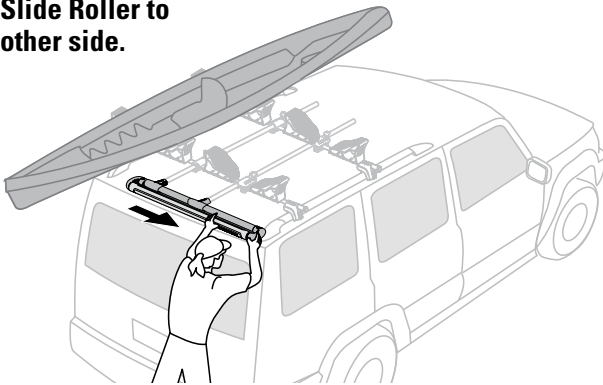
**Slide Roller to one side.**



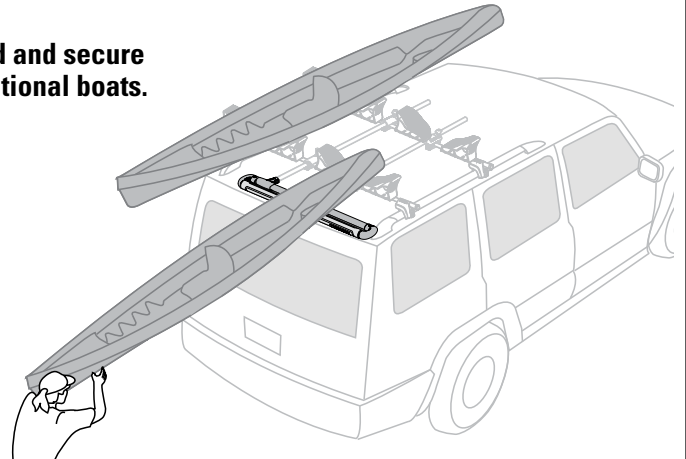
**Load and secure first boat.**



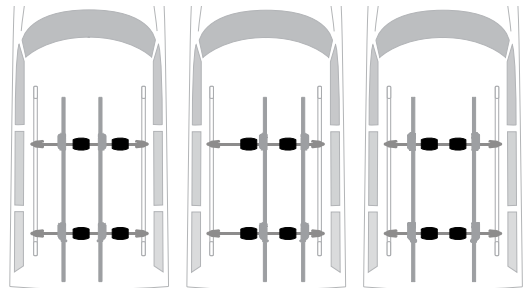
**Slide Roller to other side.**



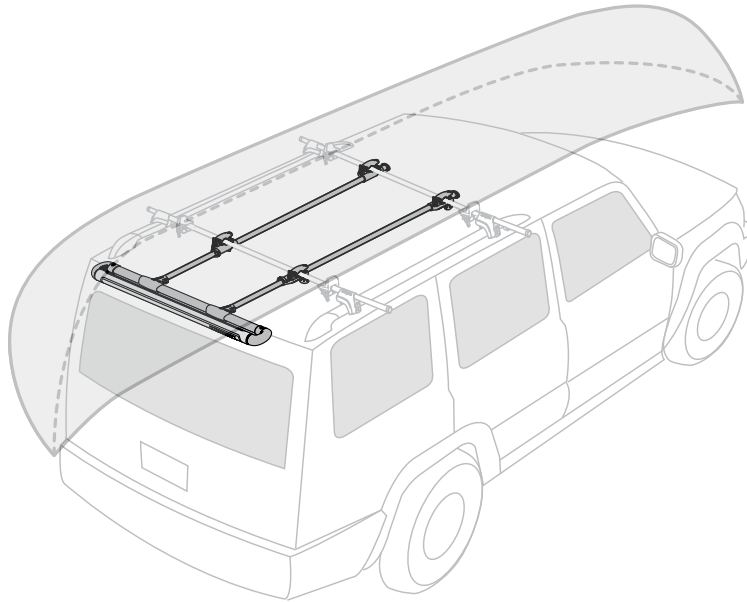
**Load and secure additional boats.**



**NOTE: Saddles and ShowBoat may need repositioning.**

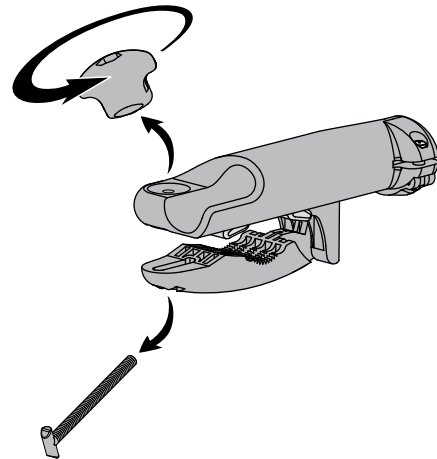


## INSTRUCTION FOR CANOE INSTALLATION



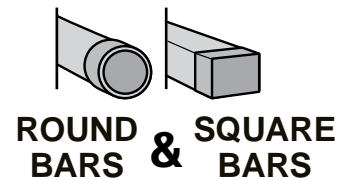
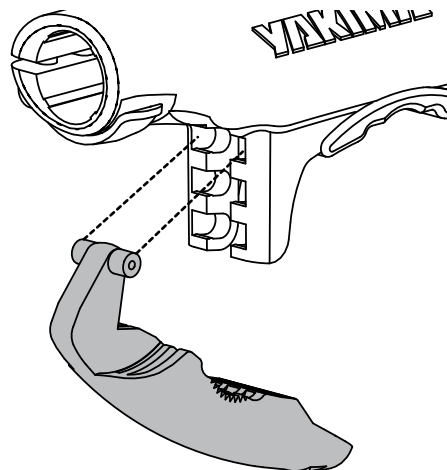
### 22 PREPARE CLAMPS FOR INSTALLATION

Remove adjustment knob and t-bolt for each of the four clamps.

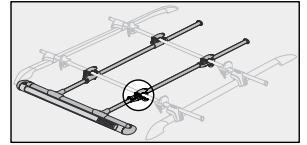


### 23 ADJUST BAIL POSITION

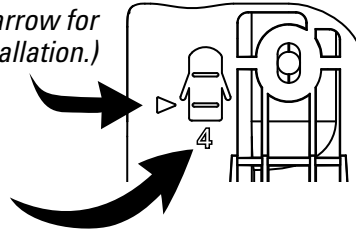
If necessary, remove bail from current notch in clamp, and snap into upper notch in clamp.



## 24 INSTALL REAR PASSENGER SIDE CLAMP (DO NOT FULLY TIGHTEN)

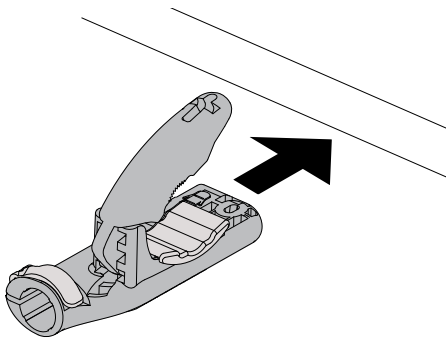


(Disregard arrow for canoe installation.)

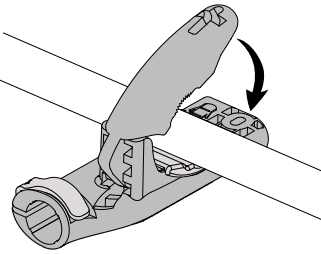


Identify rear passenger side clamp by locating the number on the bottom of clamp.

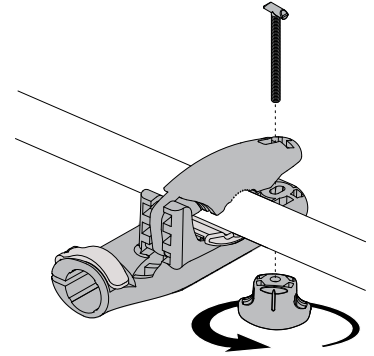
The correct number for the rear passenger side clamp is #4.



With clamp open, put clamp in place around crossbar.

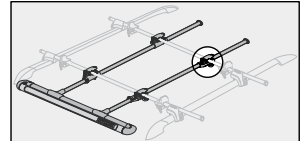


Close clamp.

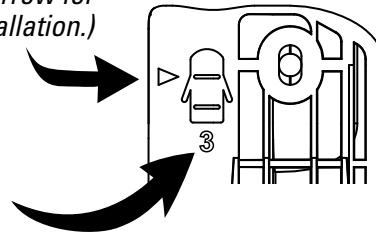


Replace t-bolt, and tighten knob. Tighten just enough to hold clamp in place.

## 25 INSTALL FRONT PASSENGER SIDE CLAMP (DO NOT FULLY TIGHTEN)

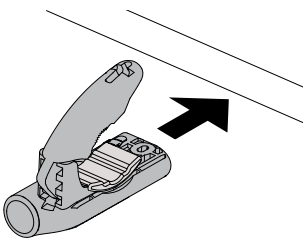


(Disregard arrow for canoe installation.)

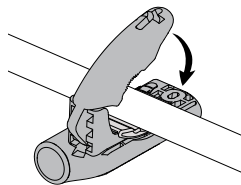


Identify front passenger side clamp by locating the number on the bottom of clamp.

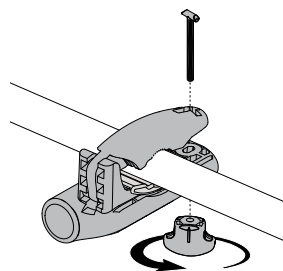
The correct number for the front passenger side clamp is #3.



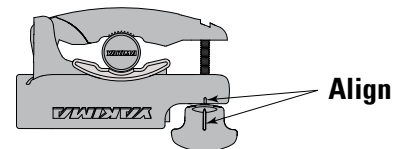
With clamp open, put clamp in place around crossbar.



Close clamp.



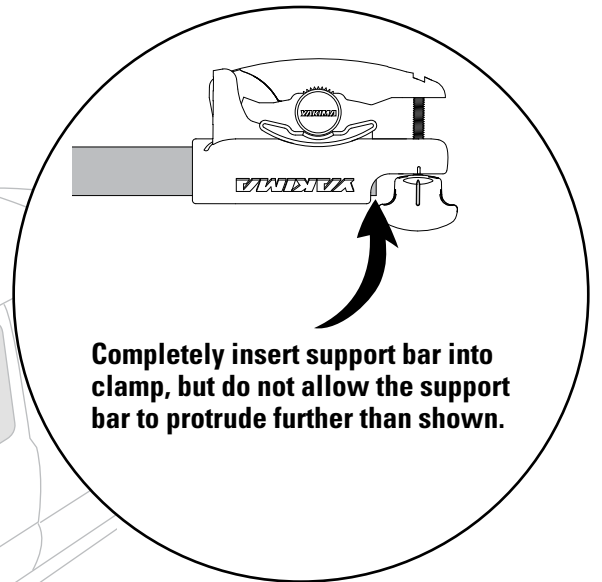
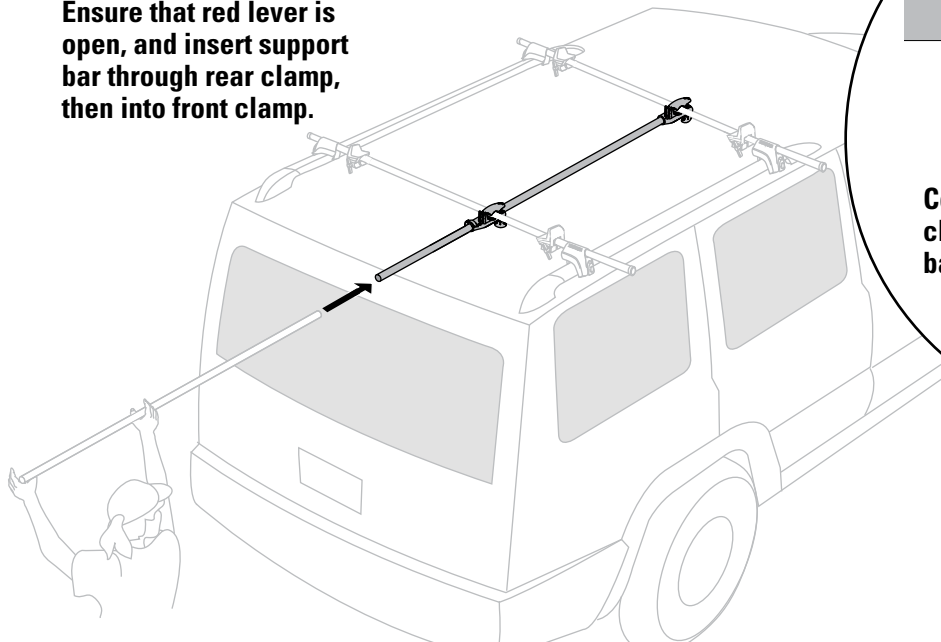
Replace t-bolt, and tighten knob. Tighten just enough to hold clamp in place.



Align markings on clamp and adjustment knob.

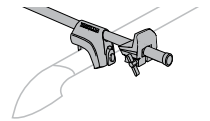
## 26 INSERT SUPPORT BAR

Ensure that red lever is open, and insert support bar through rear clamp, then into front clamp.

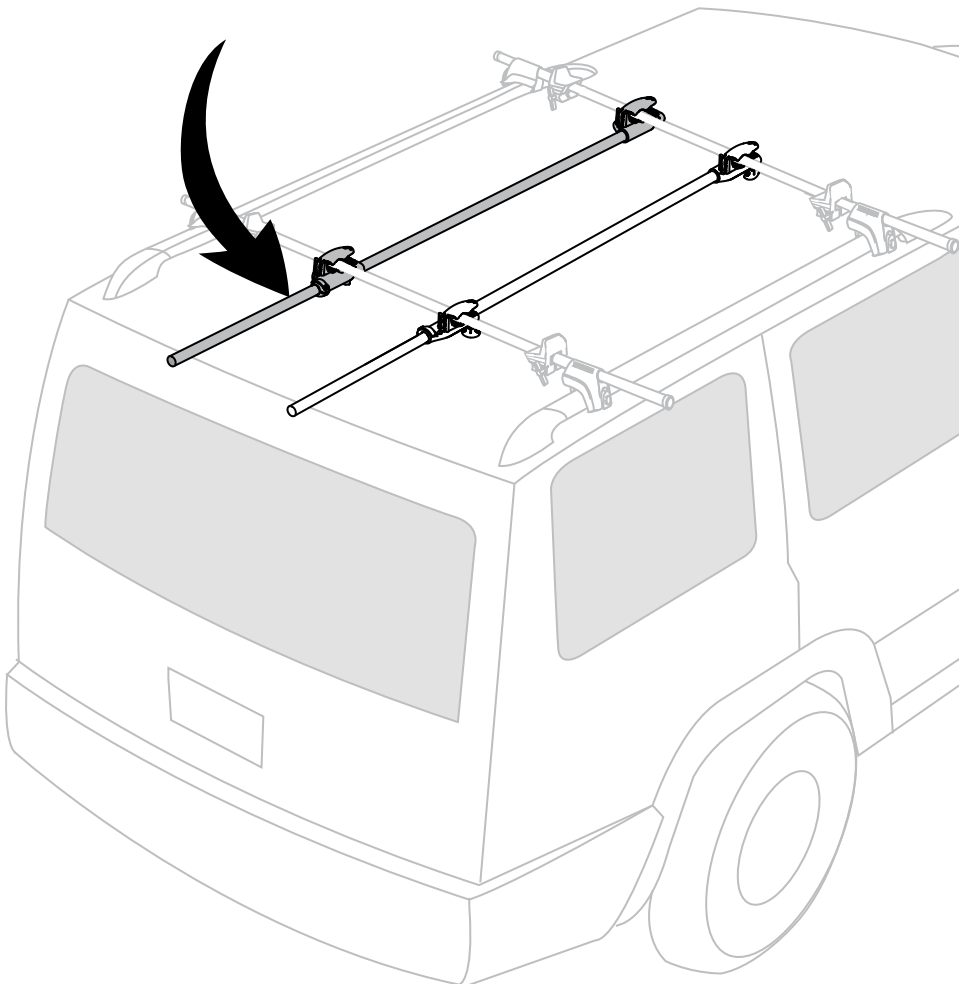


Completely insert support bar into clamp, but do not allow the support bar to protrude further than shown.

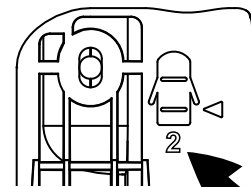
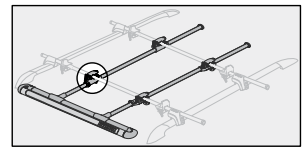
**NOTE:** Gunwales can be positioned outside of towers.



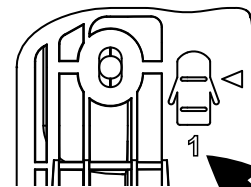
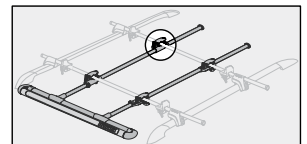
## 27 Install driver side clamps and support bar using the same procedure as for the passenger side.



Rear driver side clamp Identification is #2.

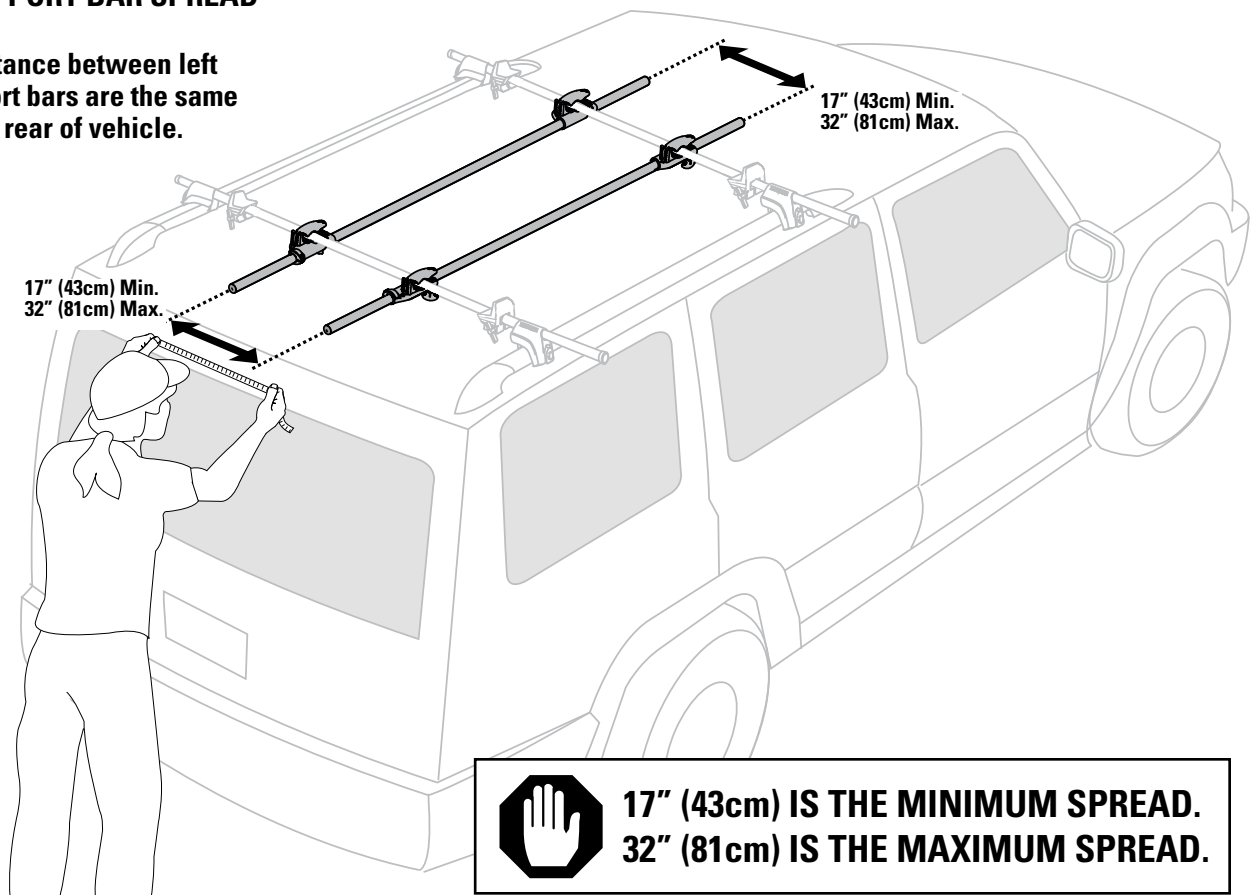


Front driver side clamp Identification is #1.



## 28 SET SUPPORT BAR SPREAD

Ensure that distance between left and right support bars are the same at the front and rear of vehicle.

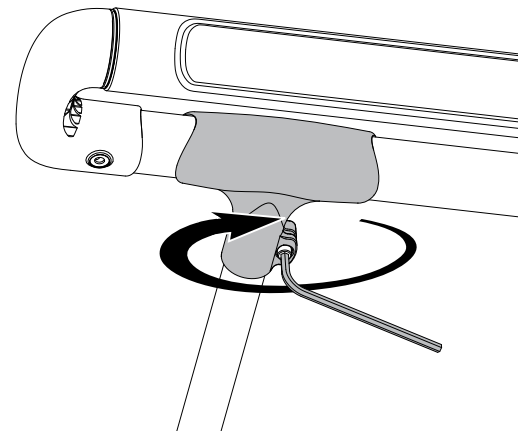
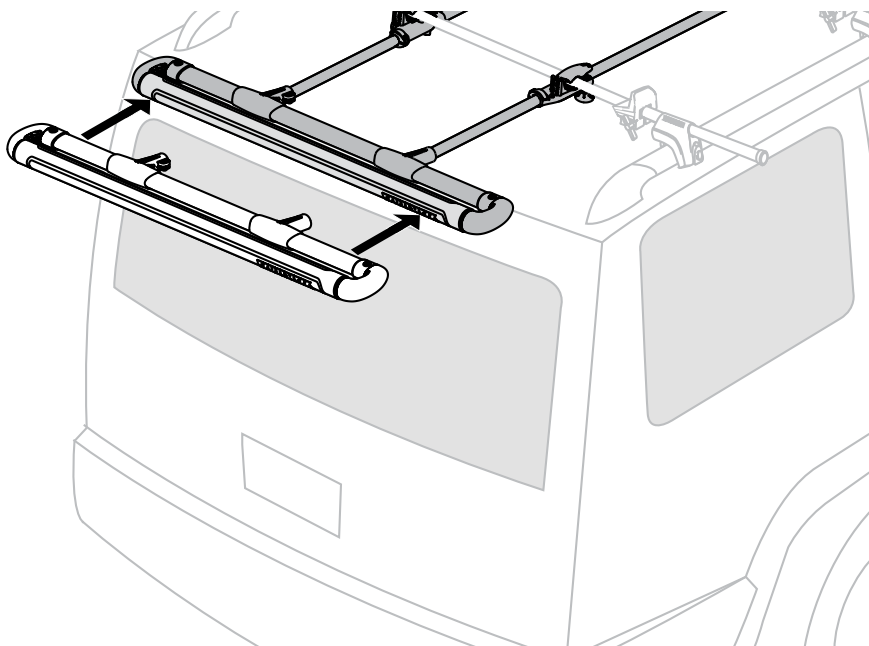
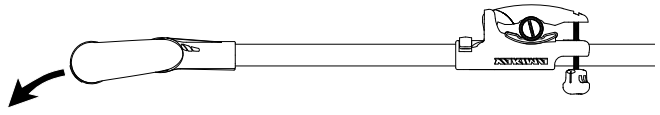


**17" (43cm) IS THE MINIMUM SPREAD.  
32" (81cm) IS THE MAXIMUM SPREAD.**

## 29 INSTALL ROLLER

With red levers in closed position, slide roller onto support bars.

**Note: roller to be angled downward for canoes.**



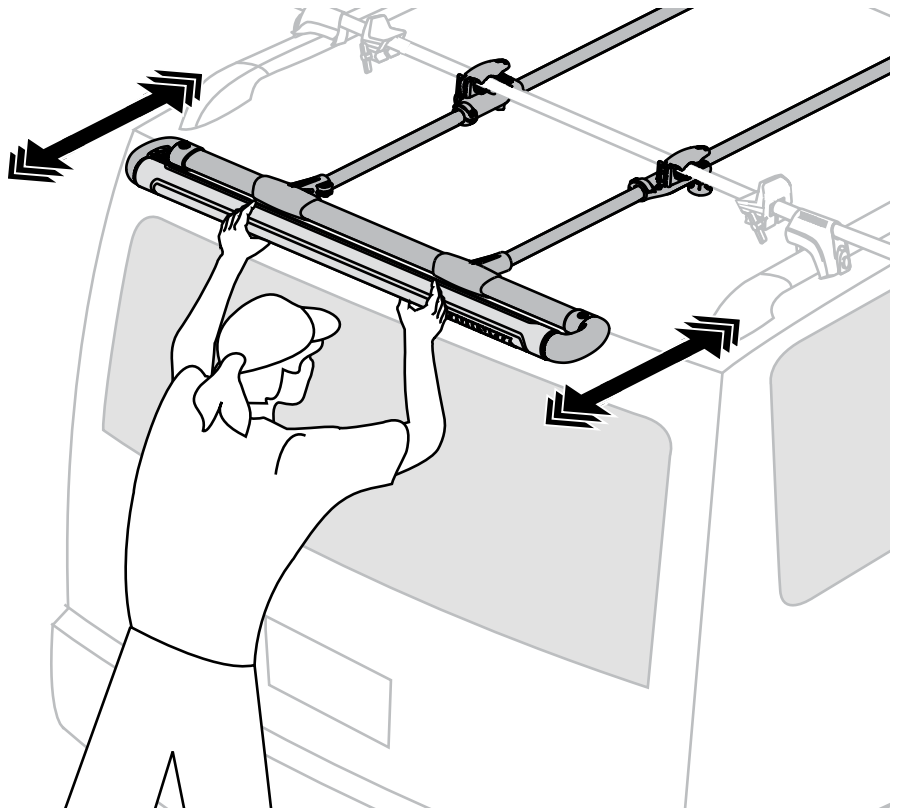
**Use the provided wrench to tighten the bolt on each side of roller.**



**Be sure that support bar is fully inserted into t-lug before tightening.**

### 30 ALIGN SUPPORT BARS

Open both red levers. Slide roller and support bars back and forth to check for smooth operation. This action will help to align support bars.

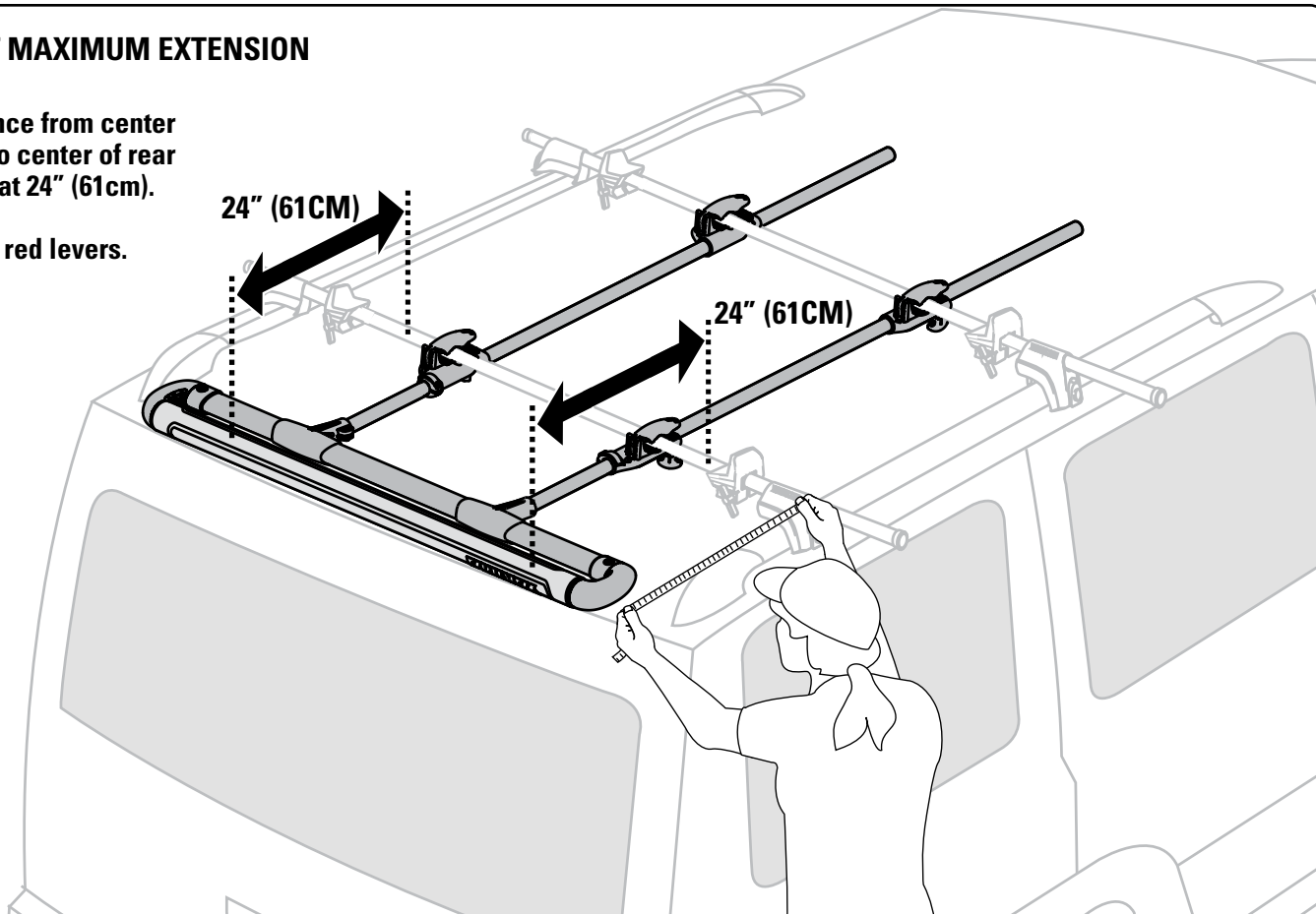


Once aligned, tighten the front clamps completely, using firm pressure. Be sure to align front knobs' markings with markings on clamps (refer to step 10). No interference between knobs and support should occur. Then tighten rear clamps with firm pressure.

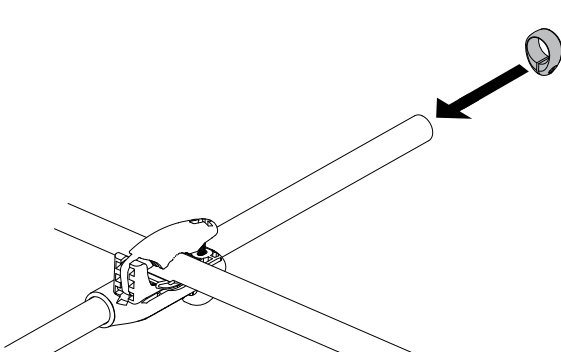
### 31 SET MAXIMUM EXTENSION

Set distance from center of roller to center of rear crossbar at 24" (61cm).

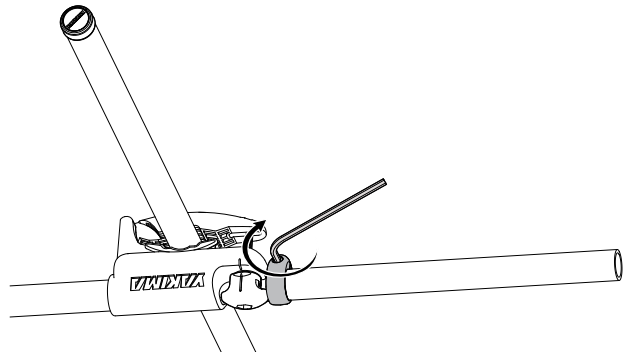
Close the red levers.



### 32 INSTALL STOP COLLAR

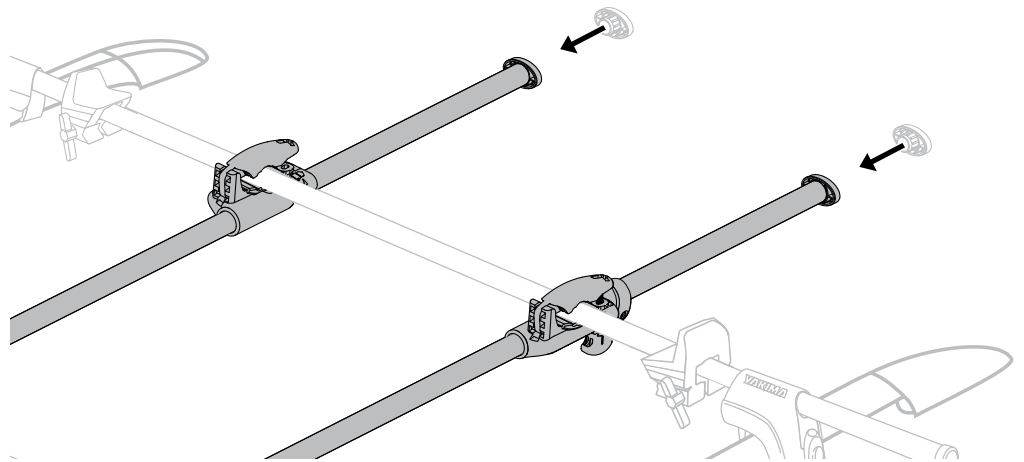


Slide stop collar on passenger side support bar until it meets the front clamp.



Use the provided wrench to tighten the bolt.

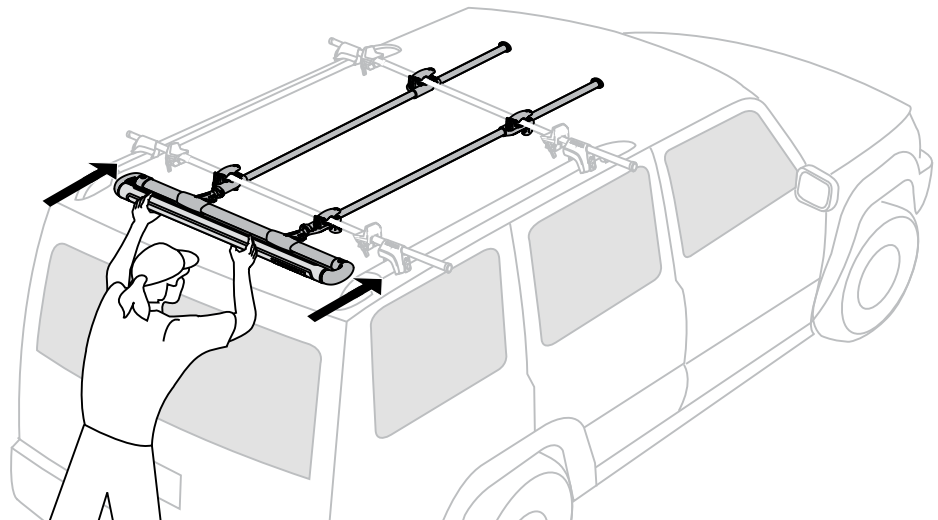
### 33 INSTALL END CAPS



Push end caps into support bar with firm pressure.

### 34 ALWAYS SECURE ROLLER WHEN OPERATING VEHICLE

Open both red levers. Slider roller completely forward. Close both red levers.

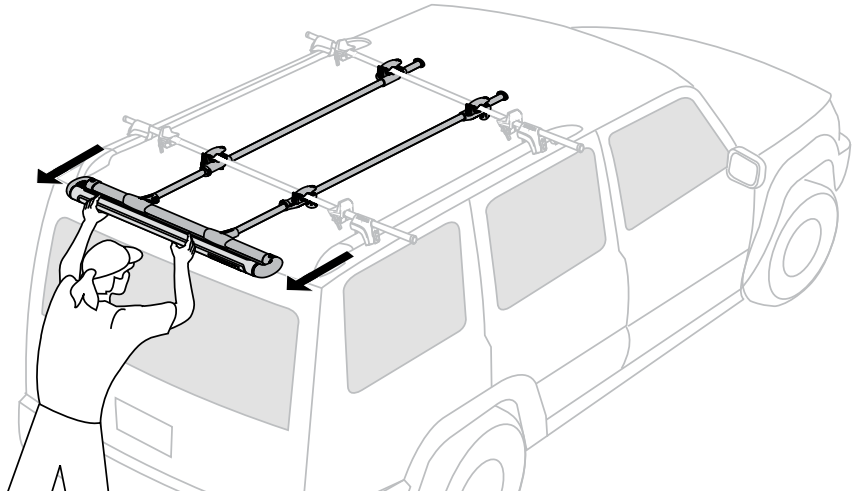




## 35 LOADING YOUR CANOE

Open both red levers. Pull roller backward until it meets the stop collar. Close both red levers.

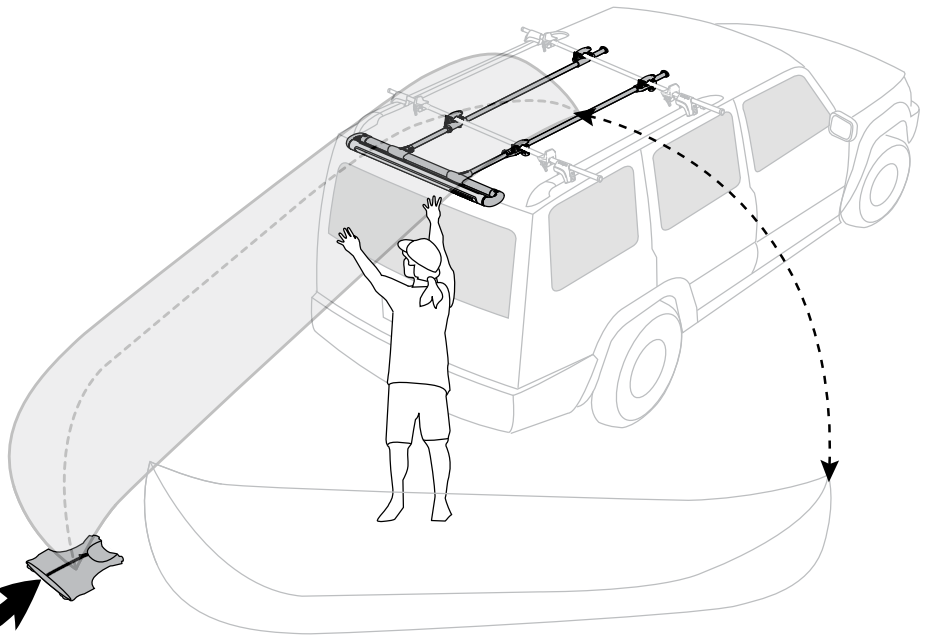
**NOTE:** If roller does not extend easily, re-align the clamps (step 30).




Lean canoe against roller so that no contact between canoe and vehicle occurs.

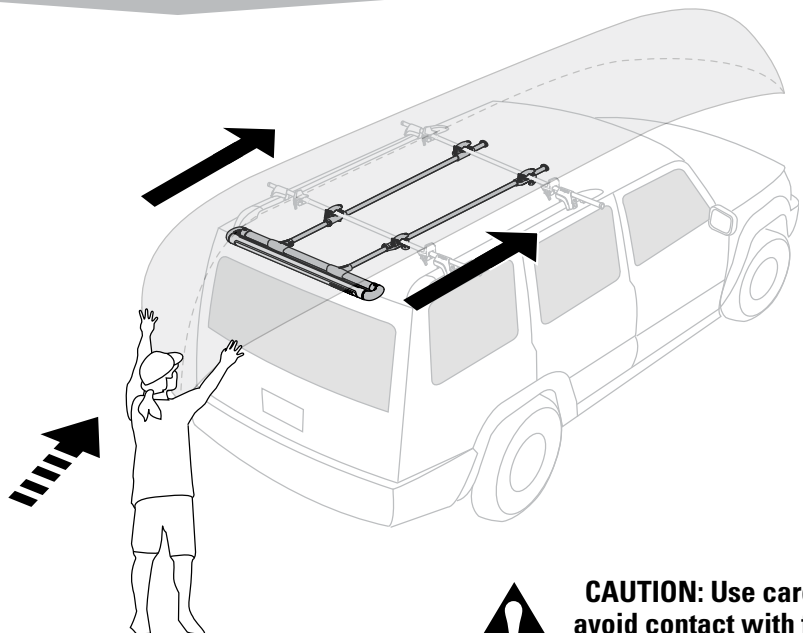
**NOTE:** Always keep one hand on boat while loading.

**TIP:** To protect your canoe's finish use your personal flotation device (PFD) to rest your canoe on.



Push canoe onto vehicle using roller while lifting rear of canoe.

  
Interference with ShowBoat clamps, bails, gunwale, or other accessory mounts may occur. Use caution when loading canoe.

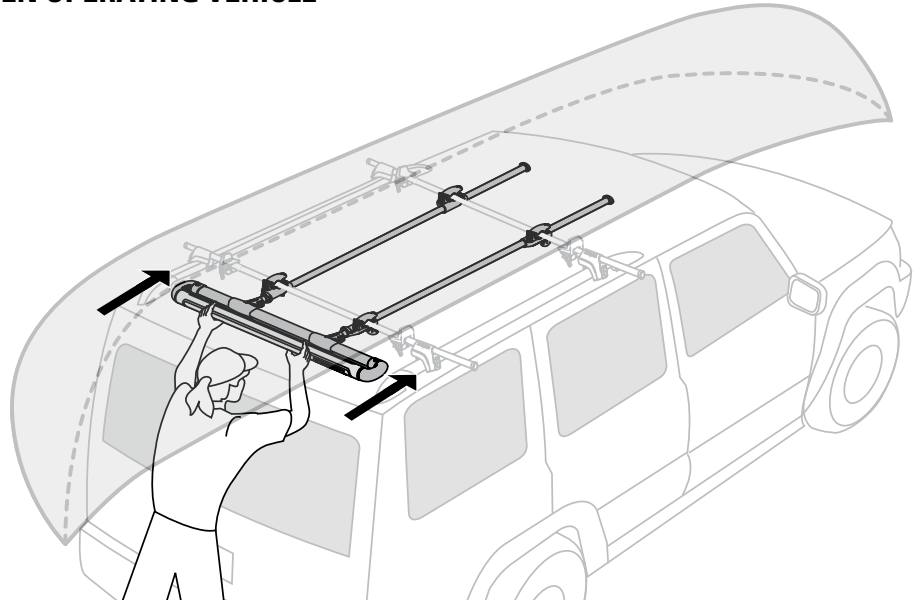


 **CAUTION:** Use care to avoid contact with front crossbar while loading.



**36** ALWAYS SECURE ROLLER WHEN OPERATING VEHICLE

Open red levers and push roller completely forward. Close red levers.

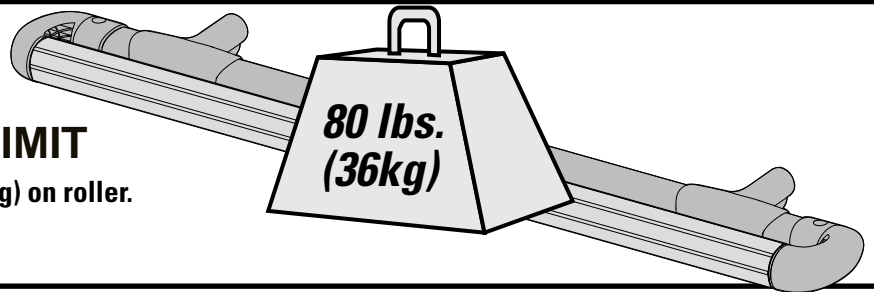


*Failure to secure boat(s) to mounts, or front and rear of long loads to ends of vehicle can result in property damage, personal injury, or death. See your accessory mount instruction for proper procedure.*

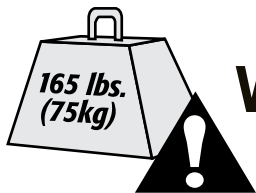


**ROLLER WEIGHT LIMIT**

- Never put more than 80 lbs. (36kg) on roller.
- Never hang on roller.

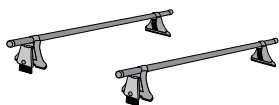


SEE YOUR ACCESSORY INSTRUCTIONS FOR IMPORTANT WARNINGS

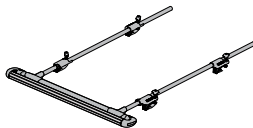


**WEIGHT LIMITS**

ROOF RACK



THIS PRODUCT  
(19 lbs. / 8.6 kg)



ANY  
ACCESSORIES

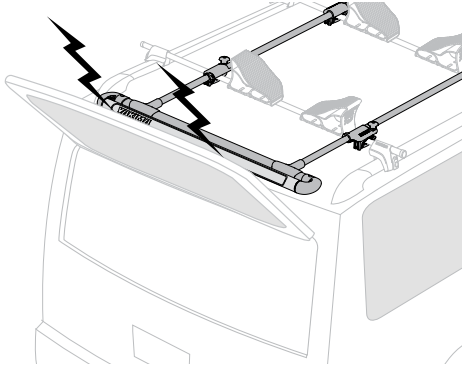


**Not more than 165  
lbs. (75 kg) unless  
otherwise noted.**



LOAD

**IF YOU REMOVE YOUR CARRIER, FOLLOW INSTRUCTIONS TO INSTALL AGAIN.**  
Follow safety checks in accessory instructions before every installation.

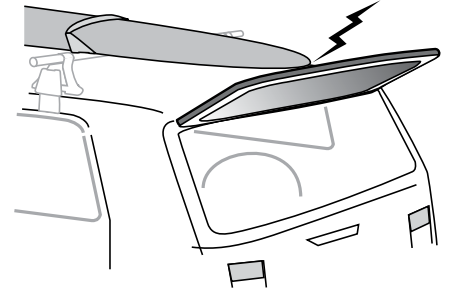


## REAR HATCH

Showboat may prevent rear hatch from fully opening.

Some longer loads may prevent the rear hatch from fully opening.

**ALWAYS USE CAUTION WHEN OPENING YOUR HATCH.**



## ANTENNA

Antenna on the roof may need to be removed to prevent interference with long loads.



**WARNING: BE SURE ALL HARDWARE IS SECURED ACCORDING TO INSTRUCTIONS. ATTACHMENT HARDWARE CAN LOOSEN OVER TIME. CHECK BEFORE EACH USE, AND TIGHTEN IF NECESSARY.**

**MAINTENANCE:** Use non-water soluble lubricant on screws. Use a soft cloth with water and mild detergent to clean plastic parts.

---

**REMOVE ACCESSORY BEFORE ENTERING AN AUTOMATIC CAR WASH.**

**LOVE IT TILL YOU LEAVE IT**  
**LIFETIME**  
**WARRANTY**

Not following instructions, or fit list, or fit notes voids warranty.

---

KEEP THESE INSTRUCTIONS!

---