



Input Voltage	Fitment	Dimensions	Warranty
12V DC	1 ¼" Highway Bars	4.9" x 2.4" x 1.8" 124 x 62 x 45mm	3 years

## Warranty and Disclaimer

**Within 3 years after the purchase date, the original buyer** may return any Highway Bar Light that has failed due to a defect in materials or workmanship

Installation of this product must be performed by a licensed professional. Should the failure of the product be the result of damage occurring as a result of improper installation, alteration of the product or an act or omission on the part of the consumer, this warranty is void. XKGLOW Lighting shall not be responsible for any consequential damages, which arise, from the use and/or installation of the product. If the kit is installed in any manner other than specified, XKGLOW Lighting reserves the right to deny any warranty claims at the discretion of the technical support department. Any product return must include the original packaging, invoice number and a statement of the alleged defect. Upon receipt of the returned product, the company will test the product for defect. If the results of the testing do not support the warranty claim, do not reveal any defect or indicate consumer negligence in the installation and handling of the product, then the product will be returned to you and you will be charged a reshipping fee.

## Additional Disclaimer Terms

Please check your local and state laws for the proper use of this product.

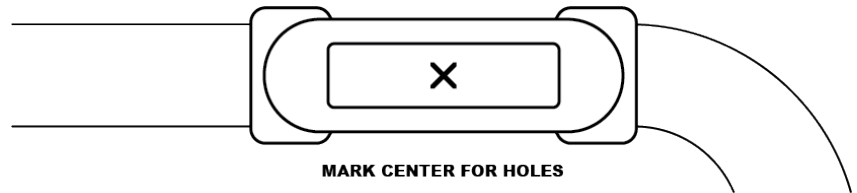
- Improper installation of electrical products such as lighting may cause damage to any vehicle or device to which the improperly handled or installed lighting is attached.
- Improperly installed product may cause electrical injury to persons.
- It is recommended that the kit should be installed by a licensed professional.
- XKGLOW assumes no liability for the installation of the product.
- Warranty or liability will not exceed the product purchase price, which shall be buyer's sole and exclusive remedy.

## Mounting Instructions

1. **Test all components before mounting:** Remove the lights from the housings. As shown below, connect the wires to 12v power for testing. With the red connected to 12V positive and the black to ground, the leds should illuminate white. With those 2 wires still connected, touch the yellow wire to 12V positive. The leds should now illuminate amber. If both colors do not illuminate, please contact us for troubleshooting.



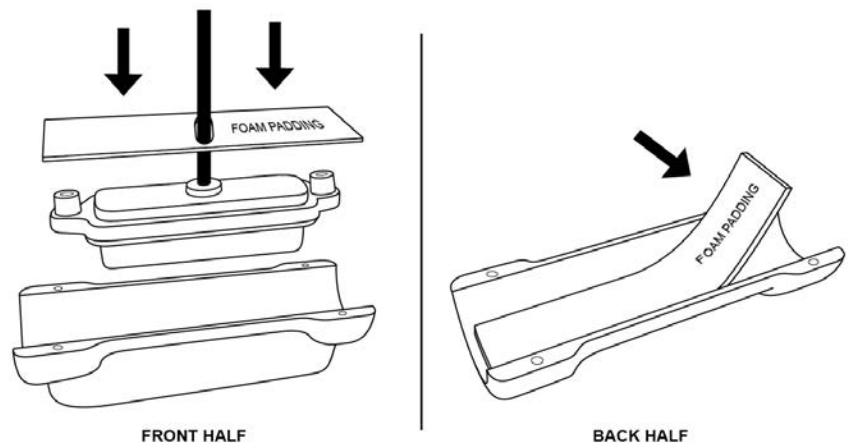
2. **Plan mounting locations:** The highway bar lights can be mounted vertically or horizontally. Place the front of the housing onto the highway bar in the desired location (if mounting with lower fairings, remove the lowers).



Using a sharpie, mark the center of the open face on both sides of the bike. This is where the wires will feed through the highway bar.

3. **Drill wire holes on highway bar:** Using a 3/8" drill bit and the sharpie marks as a guide, drill the holes on each side for the wires to feed through. If necessary, drill a 3/8" hole at each end of the highway bar to feed the wire out. Depending on the design of the bar, the wire will be fed out of either the top or the bottom of the highway bar.

4. **Apply foam padding:** Remove the 3M backing from the foam pads and apply the padding to each half of the highway bar light housing. For the front halves, put the light into place and feed the wire through the slot in the foam pads. Press the foam firmly against the housings. See diagram.



5. **Mount the highway bar lights:**

Feed the wires **IN** through the 3/8" holes marked with sharpie earlier and **OUT** of the ends of the highway bar. Using the supplies hardware, secure the back half of the housings to the fronts clamping the light into place. Tighten down all hardware.

6. **Connect to running lights & turn signal:** Connect the red wire to the bike's **positive** running light wire, the black wire to a **ground**, and the yellow wire to the corresponding side's **positive** turn signal wire. Power on bike to check each side. Secure all loose wiring.