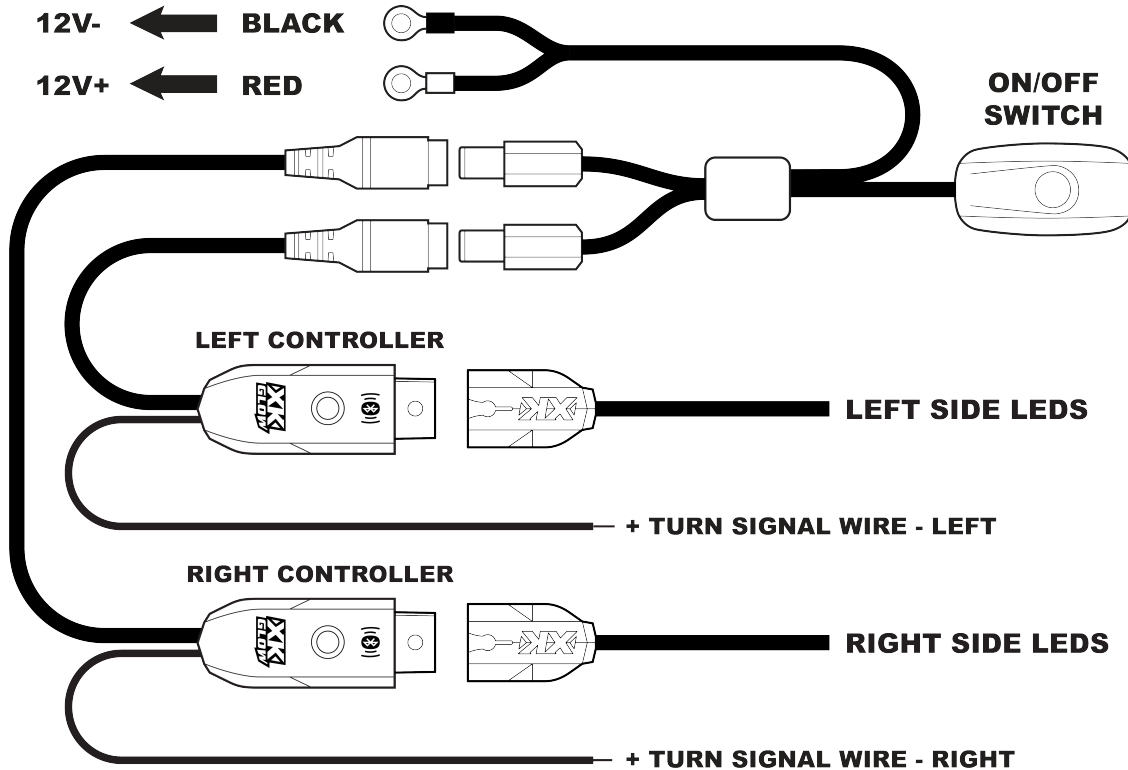


### Install Instructions

1. **Test controllers before mounting:** As shown below, connect the 2 ring terminals to the battery. The black is the negative wire and the red is the positive wire. Plug the controllers into the switch and power the ON/OFF switch ON. A blue led should light up on the switch. If the controllers do not power on, please contact us for troubleshooting.



2. **Connect the lights:** As shown above, connect your LED accessories to the controllers. Optional- Use 1 to 3 splitter (XK-4P-SPLIT) to reach multiple accessories. Ensure that the LEDs are split into LEFT and RIGHT sides to properly utilize the turn signal feature.
3. **Connect turn signal wires:** Connect the YELLOW wires to the positive turn signal wires. You must tap into the LEFT and RIGHT turn signal wire with the separate controllers. This will automatically flash all of your LEDs on that side amber when your turn signal is activated.
4. **Install power wire harness:** See wiring options below-
  - Option A- Wire Direct to Battery:** To independently control your LED accessories without your vehicle being powered on, you must wire the power wire harness directly to the battery. With this setup, the LEDs must be turned on via the ON/OFF switch or the XKchrome App. Firmly connect the wire terminals on the harness to the positive and negative terminals on the battery.
  - Option B- Wire to Ignition Source:** Wiring the power wire harness to an ignition source will automatically turn on and off your LED accessories with the vehicle's ignition. Note- you will not be able to control the LEDs independently of the vehicles power. To do this, simply wire the **red** wire on the power wire harness to an ignition wire source utilizing an add-a-fuse (not included). Ensure that the fuse is capable of handling the extra current load from the added accessories. Connect the **black** wire on the power wire harness to a nearby ground.
5. **Secure all wires and connectors:** Use zip ties and wire clips to neatly mount and hide any loose wires. Use double sided tape to hold male and female plugs together. Make sure wires are not touching anything hot or located on moving parts. Locate the ON/OFF switch in a convenient location.
6. **Connect to 12V DC power:** Plug the controllers into the power wire harness. Power on, download the **XKchrome** App, and enjoy! Please note- both controllers must be paired to App during initial setup.



**Please note:** There are multiple XKGLOW apps on the App Store. Only the XKchrome App will work with the XKchrome Bluetooth Controller. The App icon is pictured here.