



| Input Voltage | Auxiliary High Beam | Fog | Strobe |
|---------------|---------------------|---------------|---------------|
| 12V DC | 80w 4800lm | 40w 2800lm | 24w 1400lm |

Warranty and Disclaimer

XKGLOW products that have one or more LEDs fail to illuminate due to a defect in materials or workmanship are covered with **a THREE year warranty for the original buyer.**

Installation of this product must be performed by a licensed professional. Should the failure of the product be the result of damage occurring as a result of improper installation, alteration of the product or an act or omission on the part of the consumer, this warranty is void. XKGLOW Lighting shall not be responsible for any consequential damages which arise from the use and/or installation of the product. If the kit is installed in any manner other than specified, XKGLOW Lighting reserves the right to deny any warranty claims at the discretion of the technical support department. Any product return must include the original packaging, invoice number and a statement of the alleged defect. Upon receipt of the returned product, the company will test the product for defect. If the results of the testing do not support the warranty claim, do not reveal any defect or indicate consumer negligence in the installation and handling of the product, then the product will be returned to you and you will be charged a reshipping fee. If the product is returned from an address within the continental United States, within the first 30 days after purchase, and is found to be defective, XKGLOW Lighting will exchange or refund the original purchase expense. This offer does not extend to the cost for shipping charges on any international packages.

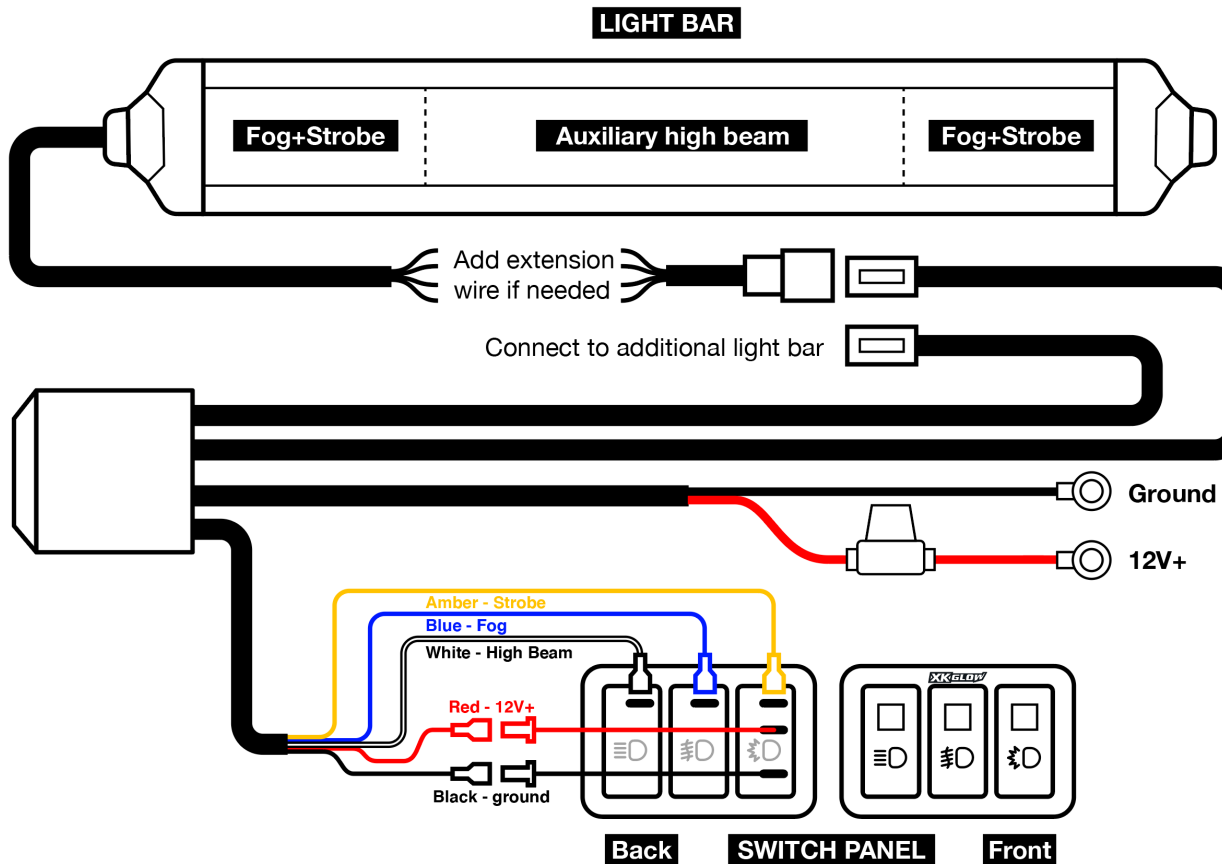
Additional Disclaimer Terms

Please check your local and state laws for the proper use of this product.

- Improper installation of electrical products such as lighting may cause damage to any vehicle or device to which the improperly handled or installed lighting is attached.
- Improperly installed product may cause electrical injury to persons.
- It is recommended that the kit should be installed by a licensed professional.
- XKGLOW assumes no liability for the installation of the product.
- Warranty or liability will not exceed the product purchase price, which shall be buyer's sole and exclusive remedy.

Installation Instructions

1. Test all parts before mounting: Before mounting, connect all components as shown below on a test bench to verify all functions work properly.



2. Locate the light bar, wiring harness, and switch panel to planned mounting locations. Run all wires to make sure there is enough length to connect each other. Add extension wire between the light bar and the plug if needed.
3. Once all part locations are confirmed, connect the wires as shown above. Apply proper insulation to exposed connections if needed.
4. Connect to 12V+ and ground. Press the switch buttons to test if corresponding modes are working properly.
5. Adjust the light angle to properly project the beams. Firmly secure all mounting screws.

Functions

1. The included wiring harness is equipped with two outputs.
2. There are three strobe modes: Hyper Burst, Quick Strobe, and Slow Strobe. You can quickly switch on-off-on the strobe button to select the next strobe mode. When you turn off the light and wait for at least 2 seconds, the last running strobe mode will be automatically saved as the default strobe mode.