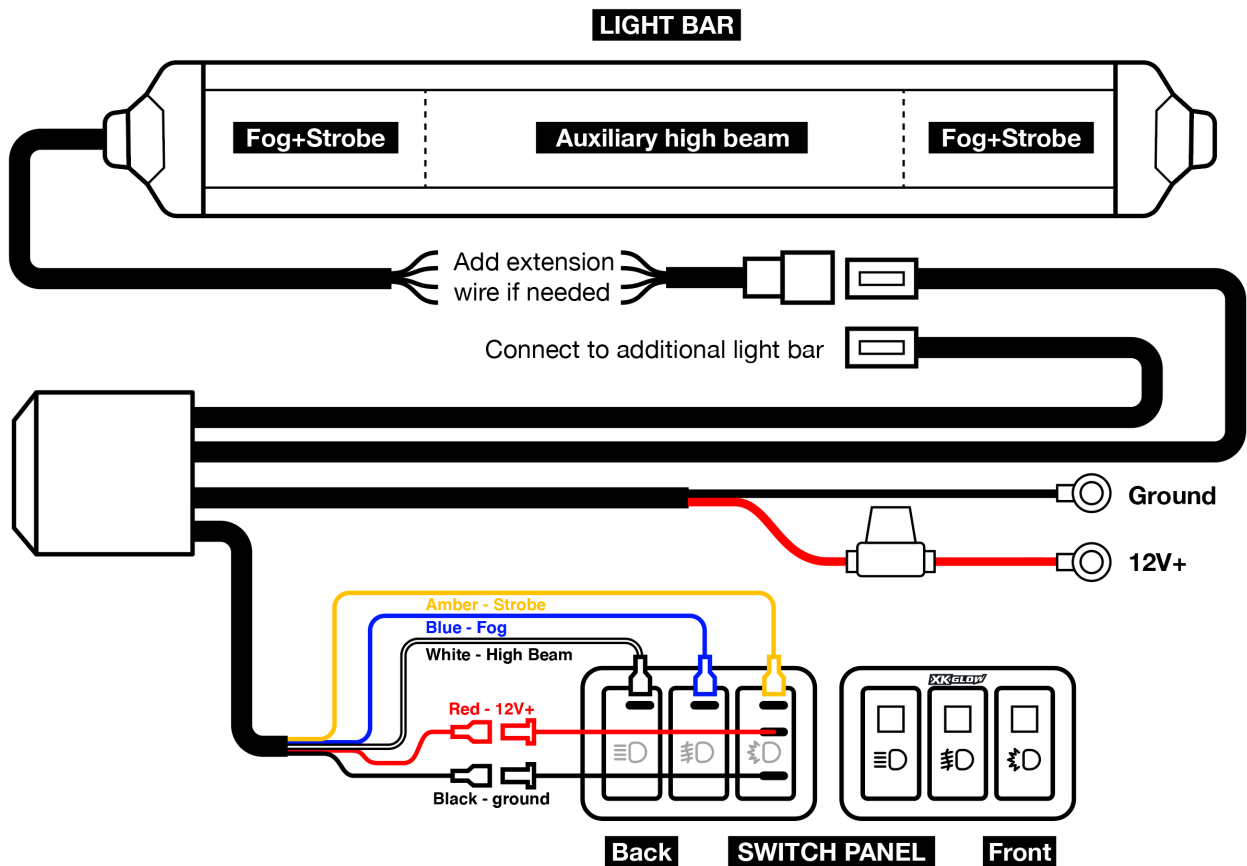



Mounting Instructions

1. Test all parts before mounting: Before mounting, connect all components as shown below on a test bench to verify all functions work properly.



2. Locate the light bar, wiring harness, and switch panel to planned mounting locations. Run all wires to make sure there is enough length to connect each other. Add extension wire between the light bar and the plug if needed.
3. Once all part locations are confirmed, connect the wires as shown above. Apply proper insulation to exposed connections if needed.
4. Connect to 12V+ and ground. Press the switch buttons to test if corresponding modes are working properly.
5. Adjust the light angle to properly project the beams. Firmly secure all mounting screws.

Functions

1. The included wiring harness is equipped with two outputs.
2. There are three strobe modes: Hyper Burst, Quick Strobe, and Slow Strobe. You can quickly switch on-off on the strobe button  to select the next strobe mode. When you turn off the light and wait for at least 2 seconds, the last running strobe mode will be automatically saved as the default strobe mode.