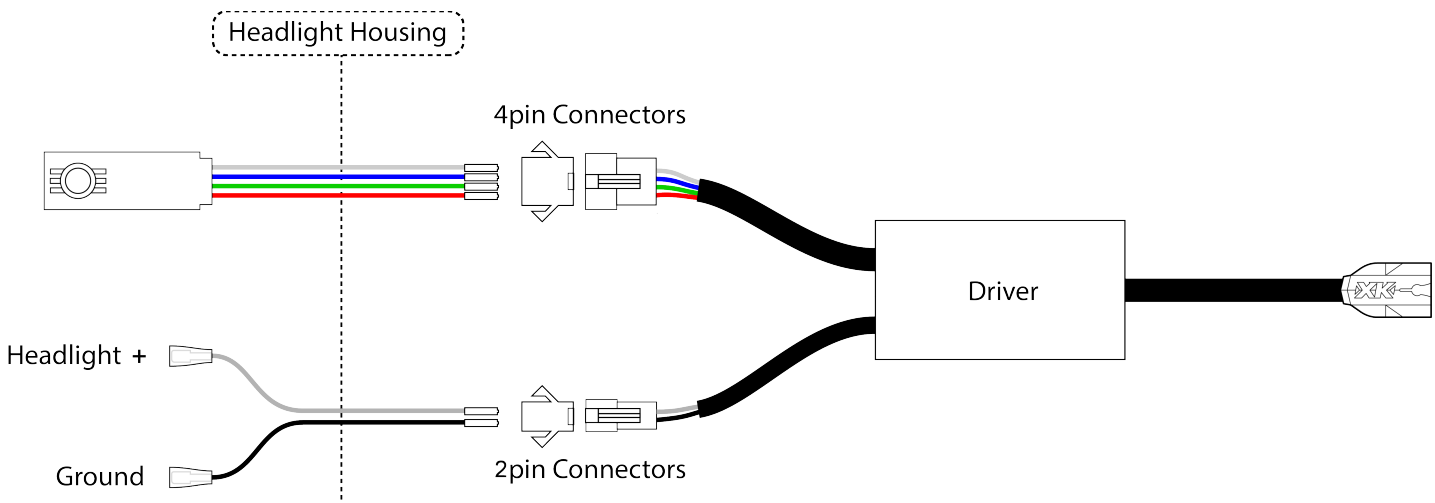
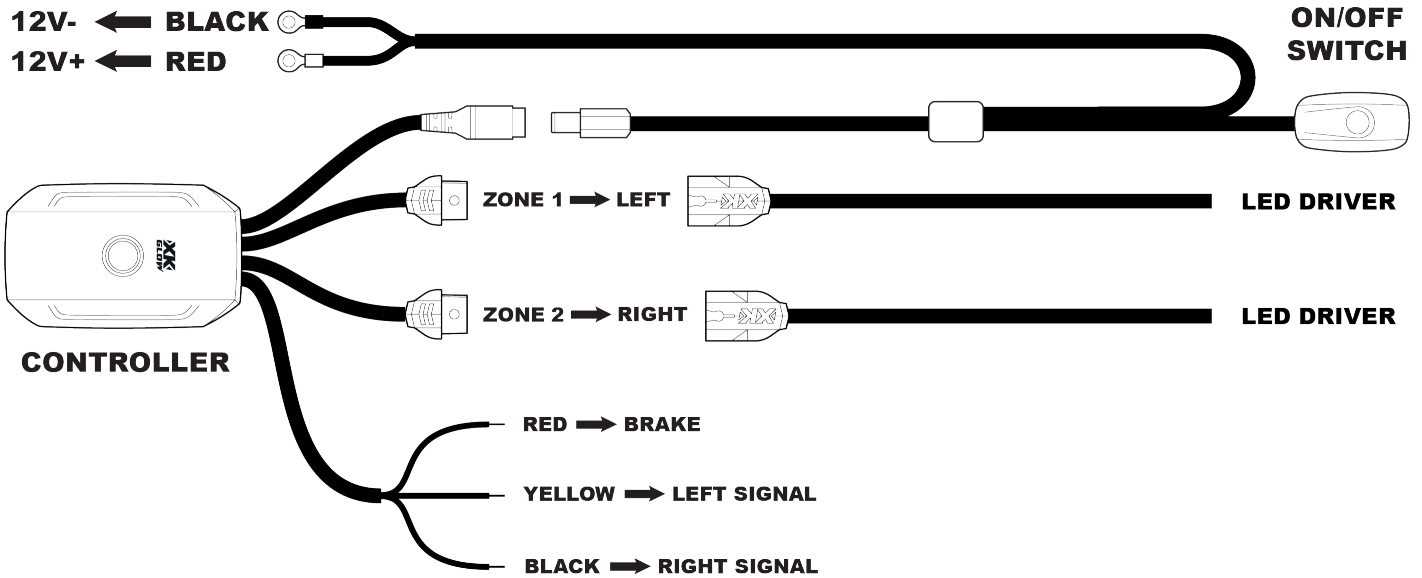


Mounting Instructions

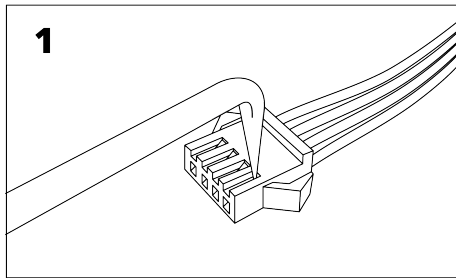
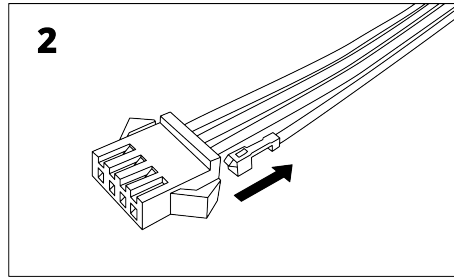
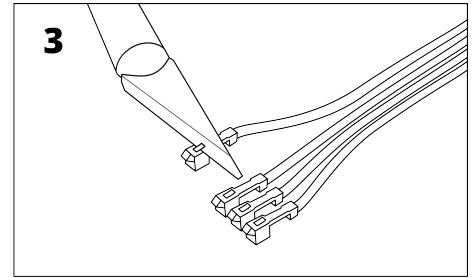
WARNING: This installation requires removal of the headlight lenses. If you are not comfortable with removing the lenses, please seek professional help for installation. XKGLOW is not liable for any damages that may occur during installation of this product. Lenses must be removed to begin installation.

Please note: These instructions are to serve as a guide for install and will not apply to all headlight assemblies out there. Steps, order of steps, and processes used in this guide may differ depending on your application. Doing vehicle specific research will help greatly with installation of this product.

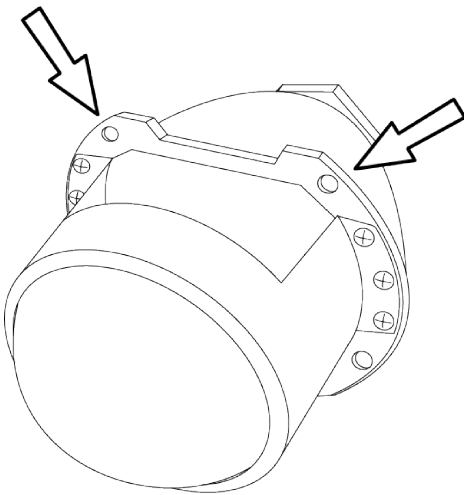
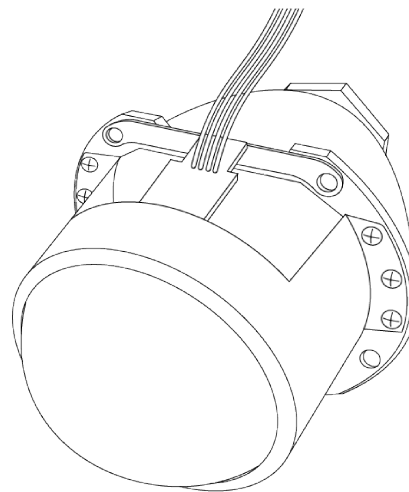
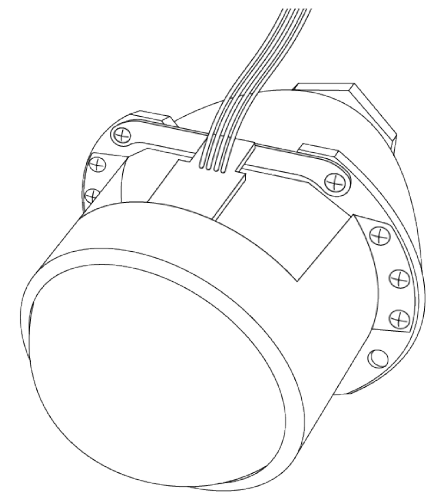
Test all components before beginning install: As shown below, plug the XKchrome controller into the switch harness. Connect the RED wire from the switch harness to a 12V+ source and the BLACK wire from the switch harness to a 12V- source. Plug the demon eyes and wiring harnesses into the demon eye drivers and the demon eye drivers into the XKchrome controller. Connect the BLACK wire from the wiring harness to the 12V- source (this wire MUST be grounded for the demon eyes to operate). Turn on the switch and push the touch button on the XKchrome controller to test the demon eyes. You can test the Auto OFF Feature by tapping the white wire to a 12V+ source. If the controller or demon eyes show any defects, please contact us and we will be happy to replace them for you.



- 1. Disassemble Headlights:** Remove the lenses from the headlights and disassemble the internals if necessary to gain access to the desired mounting locations for the demon eyes.
- 2. De-Pin Black Demon Eye Plugs:** In order to feed the wires through the 5mm holes (next step), the 4-pin female plugs shown in the diagram above must be removed from the wires. See diagram below. The tabs holding the pins in are visible. These tabs must be pressed down to remove the pins. Begin by taking a small pick, thumb tac, or the like and gently press the tabs down and pull the pins out. If the pins do not slide out without excessive force, the tab is still catching and must be pressed down more. After all of the pins are removed, take an Exacto knife and very gently pry the tabs back up and into place. This will ensure that the pins snap back into place when re-inserting the pins later on in the install.

**1 PRESS TAB DOWN****2 PULL WIRE OUT****3 GENTLY LIFT TAB**

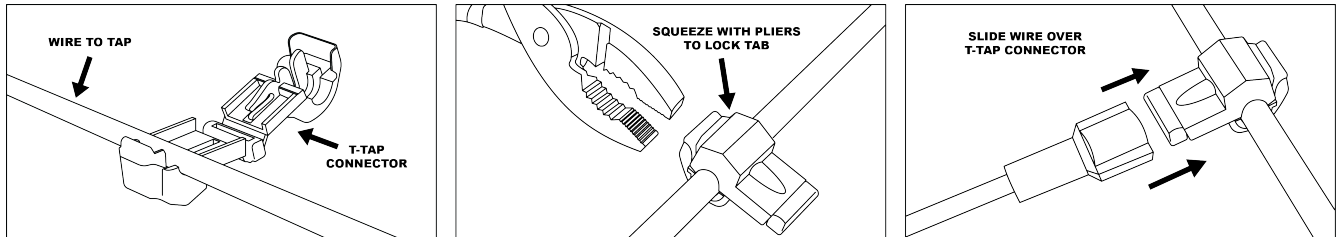
- 3. Mount Demon Eyes:** Locate the mounting holes on the bowl of the projector. Universal Mini H1 Projector brackets are included. Position the demon eye into place as shown in the diagram below. Using a #6 nut and bolt, bolt the demon eye to the projector bowl.

**LOCATE MOUNTING HOLES****POSITION DEMON EYE****SECURE DEMON EYE**

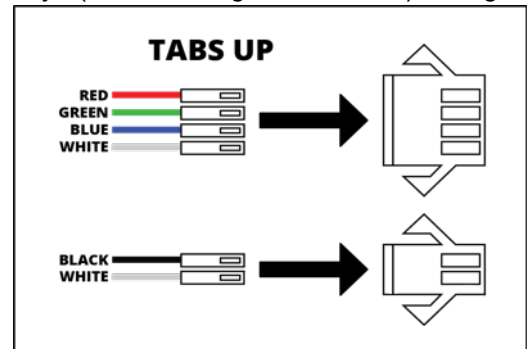
If the demon eyes are being installed in a non-MH1 projector, simply remove this bracket. You may reuse the hardware used to hold the demon eyes to the MH1 bracket to mount the demon eyes. Simply drill a 4mm hole on the mounting surface and bolt the demon eye in place. Please note, all non-MH1 projectors are different and some may take a little more work to successfully mount the demon eyes.

- 4. Install Wire Grommets (optional):** If necessary, you can use the supplied wire grommets to feed the wiring through the back of the headlight assemblies and to the drivers (recommended installation OUTSIDE of the headlights for serviceability). Find a suitable location for the grommets away from any mounting tabs or wiring. Mark and drill $\frac{1}{4}$ " holes in the back of the headlight assemblies and push the rubber grommets into place.

- 5. Install Wiring Harness:** See guide below for installation of T-tap connectors. Take the T-tap and wrap it around the wire to tap. Close the T-tap and secure it by squeezing with pliers. The lock tab should snap in place. Connect BLACK wire from wiring harness to a ground source and the WHITE wire to the positive headlight wire (This controls the Auto OFF Feature). Note- depending on the headlight, the wiring may be inside or outside of the headlight assembly.

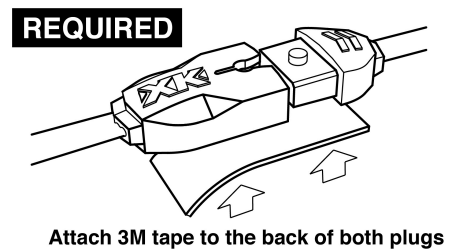


- 6. Route Wiring Out of Headlight:** Feed the 4 wires from the demon eye (white, blue, green, and red) through the supplied rubber grommet. If the headlight wiring is inside of the headlight assemblies, you will need to de-pin the wiring harnesses just as the demon eye plugs were in Step 2. If applicable, feed the 2 wires from the wiring harness (black and white) through the supplied wire grommet. Add a dab of silicone around the wires inside the grommets for fully seal them off. Re-insert the pins from the demon eyes and wiring harnesses into included black JST plugs using the driver plugs and the diagram to the right as reference. The colors must be matched up with the driver plugs for proper function.



- 7. Reassemble, Reseal and Reinstall Headlights:** After the demon eyes and wiring harnesses are successfully installed, you can reassemble the internals of the headlight and reinstall the lenses onto the assemblies using butyl glue. Reinstall the completed headlights onto the vehicle.
- 8. Install Demon Eye Drivers:** Find a suitable mounting location for the demon eye drivers. Plug the demon eyes and wiring harnesses into the drivers and then plug the drivers into the XKchrome controller.
- 9. OPTIONAL: Connect sensor wires:** This step will allow the Demon Eye to flash amber when your turn signal is activated. Please check service manual specific to your make and model to verify wires. Tap the YELLOW wire into the LEFT side turn signal positive wire. Tap the BLACK wire into the RIGHT turn signal positive wire. The yellow and black wire will control the turn signal functions. Finally, tap the RED sensor wire into the positive brake wire. This will turn the lights red automatically when the brake is on (This function is not used in a headlight scenario, but still optional).

- 10. Secure all wires and connectors:** Use provided zip ties to neatly mount and hide any loose wires. Use provided double sided tape to hold male and female plugs together. Make sure wires are not touching anything hot or located on moving parts. Locate the ON/OFF switch and XKchrome controller in a convenient location.
- 11. Connect to 12V DC power:** Firmly connect the wire terminals from the switch harness to the positive and negative poles of the battery. Power on, download the **XKchrome** App, and enjoy!



Please note: There are multiple XKGLOW apps on the App Store. Only the XKchrome App will work with the XKchrome Bluetooth Controller. The App icon is pictured here.

Input Voltage	Controller Max Load	Demon Eye Amperage
12V DC	6 amps (3 amps per zone)	.33 amps per kit (.167 amps per demon eye)