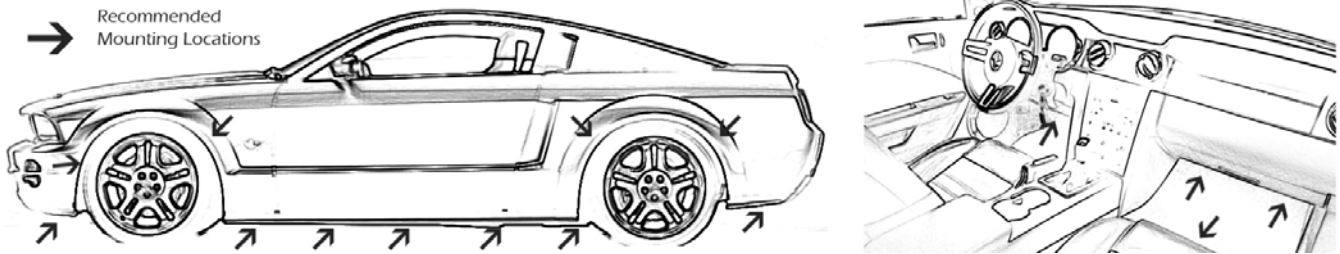
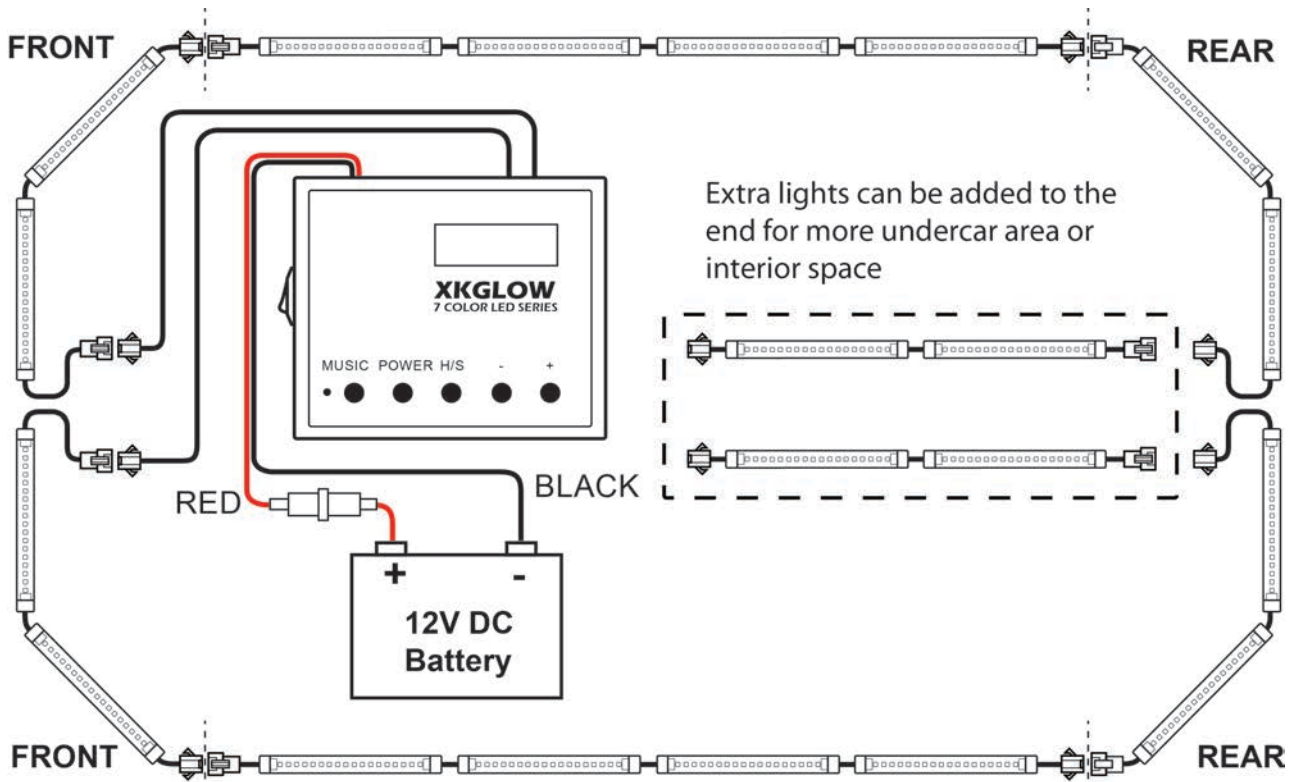


## Recommended Mounting Locations

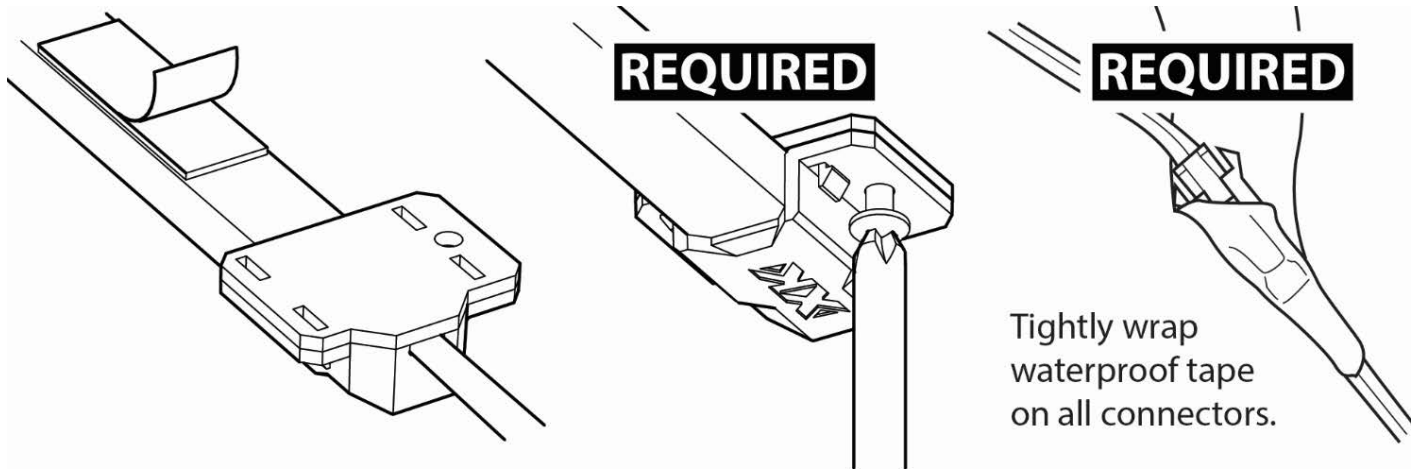


## Mounting Instructions

- Test all components before mounting:** As shown below, plug all light units together and connect them to the controller. Connect the RED battery terminal to the POSITIVE pole of 12V DC battery. Connect the BLACK battery terminal to the NEGATIVE pole. Turn on the switch and push the Mode button to exam all the lights. If the light has any defective issue, please contact us and we will be happy to replace them for you.



- Plan mounting locations:** Disconnect the tested lights from the vehicle's battery and remove any bodywork that will have the LED lights located behind them. Clean the mounting surface. LOOSELY mount the LED lights using Scotch or painters tape (not included) to the desired locations. (DO NOT firmly attach the lights in this step.)
- Prepare for installation:** Select the place where you want to locate the lights. Lay each string on the ground below desired mounting locations as the diagram shown above. The 4-section LED strings are designed for the left and right sides of the vehicle. The 2-Section LED strings are for the front and rear. Connect the wires to test if they can reach the controller and function appropriately. Please note that there are 2pcs 2-section LED strings come with 12ft wires, which are longer than the rest. These strings with 12ft wires need to be placed in the front to ensure the wires will reach the control box.



4. **Mount the lights:** Clean the mounting surface again. Use the included double side tape pads to attach the lights to the planned locations. Apply the included screws to firmly mount all tubes to the surface (required). Connect all Y-splitters, extension wires and the switch wiring harness.
5. **Secure all wires and connectors:** Use provided zip ties, and wire clips to neatly mount and hide any loose wires. Make sure the wires and light tubes are not touching anything hot or located on moving parts. Locate the ON/OFF switch in a dry and convenient location.
6. **Apply waterproof tape:** Pull the included waterproof tape and securely wrap around all connectors. Once the tape shrinks, it will tightly wrap around the connectors to protect them against water and moisture.
7. **Connect to 12V DC power:** Firmly connect the wire terminals to the positive and negative poles of the battery.

### Functions of Each Button:

1. **ON/OFF:** This switch controls the overall power supply of both the control box and LED tubes. If the entire kit will not be used for more than 3 days, the ON/OFF switch should be shut off to avoid draining the battery.
2. **POWER:** This button controls the power towards the LED tubes. If it's turned off, the LED tubes will go off, but the control box itself is still working to communicate with the remote key fob by using a small amount of power.
3. **H/S:** There are three functions controlled by this button. The LCD screen will change corresponding to each function. Check the chart below for details (*under LCD Display column, "XX" or "X" represent numbers.*)

Mode	LCD Display	How to operate
Hand Select Mode	H-XX	Use "+" and "-" buttons to switch within 100 various light patterns (H-00 to H99). Go below H-00 or above H-99 to enter the following three special pattern groups.
	H-AX	One color changing with "breath wave" pattern (H-A0 to H-A9)
	H-BX	One color + White changing with "breath wave" pattern (H-B0 to H-B9)
	H-CX	One solid on color (H-C0 to H-C8)
Auto Mode	H-00 or A-XX	Under H mode, use "+" and "-" buttons to switch to H-00, after 1 second, LCD screen will turn to A-XX and start cycling through all hand selected light patterns gradually. To get back to H mode, press "+" or "-" and the LCD screen will change to "H-XX" again and stays.
Speed Adjustment	S-XX	Under any H or A mode, press "H/S" to switch to S mode. Use "+" and "-" to select changing speed. The smaller the number goes, the faster the light changes. Press "H/S" again to switch back to H mode.

4. **"+" and "-":** Adjust the flash patterns or speeds under each mode with the "+" and "-" buttons.
5. **MUSIC:** Music function could be used in both H and A modes. The louder the music is, the faster the



selected pattern changes. The Speed function is disabled under Music mode.

6. **Auto Memory:** Every time the “POWER” button is pressed, the control module will automatically memorize the current pattern and speed. The same pattern and speed will be continued next time the power is turned back on.

## Wireless Key Fob:

Below are the equivalences between the wireless key fob buttons and control box buttons:

Wireless Key Fob	Control Box
Button “A”	POWER
Button “B”	H/S
Button “C”	-
Button “D”	+

The remote key fob is built with universal frequency. If you want to customize you’re remote with exclusive frequency key fob, please visit [XKGLOW.com](http://XKGLOW.com) to purchase the customized key fob and control box.

## Advanced Setting:

The following settings can only be changed through the control box, not the key fob.

1. **Adding More Light Tubes:** Each output wire of the control box can load up to (20) 12” tubes. If you are connecting more than 14 tubes to EACH output wire, please follow the instructions to set the controller:
  - Press “POWER” button to turn off the LED tubes (ON/OFF switch needs to remain ON). Press “H/S” for 2 seconds until the LCD changes to “XXXX”.
  - Use the “+” button to reach a higher number. The default number is 14.
  - Press “POWER” once it’s done to save the settings.
  - Remember, the number shown on the screen should be the max LED tube amount connected to EACH output wire, NOT the amount of entire kit.
2. **Change Music Sensitivities:**
  - Press POWER button to turn off the LED tubes (ON/OFF switch needs to remain ON). Press H/S for 2 seconds until the LCD turns “XXXX”. Then press “H/S” again, the LCD screen would change to “PL-XX”.
  - Use “+” and “-” to select sensitivities. PL-01 is lowest. PL-03 is highest.
  - Press “POWER” once you’re done to save the settings.
3. **Add an Unique Frequency:**
  - Press POWER button to turn off the LED tubes (ON/OFF switch needs to remain ON). Press “+” and “-” at the same time until the LCD shows “----”
  - Press any button of the Exclusive Remote Key Fob (purchased separately) until the LCD shows “0000”. That indicates the new frequency has been added.

Press POWER once you’re ready to save the settings.