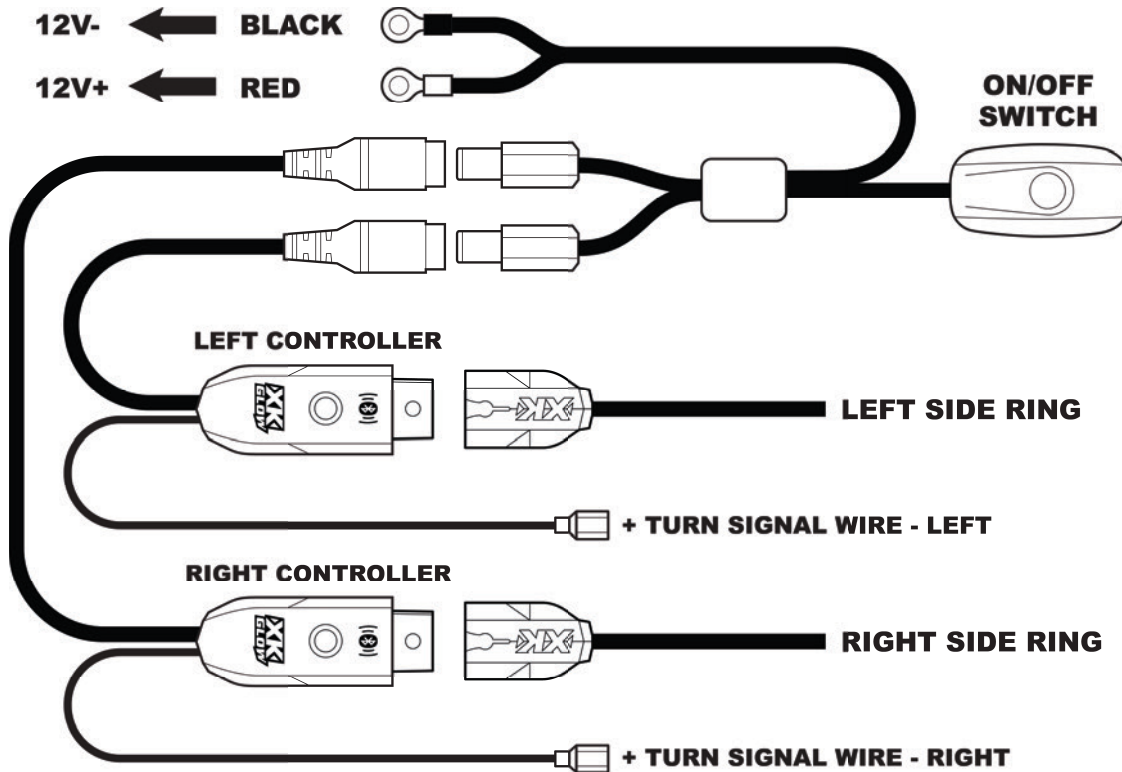


Installation Instructions

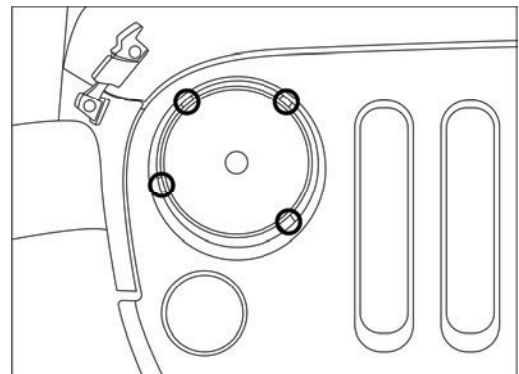
- Test all components before mounting:** As shown below, plug ALL light units together and connect them to the controllers and the switch wiring harness. Connect the RED battery terminal to the POSITIVE pole of 12V DC battery. Connect the BLACK battery terminal to the NEGATIVE pole. Turn on the switch and push the controller buttons to test the rings. If the lights show any defects, please contact us and we will be happy to replace them for you.



Wiring Options

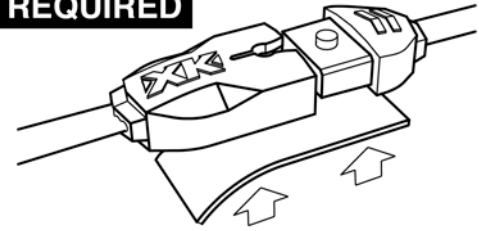
- Option A. Wire Direct to Battery:** To independently control the color changing halos without your vehicle being powered on, you must wire the power wire harness directly to the battery. With this setup, the halos must be turned on via the ON/OFF switch or the XKchrome App. Firmly connect the wire terminals on the harness to the positive and negative terminals on the battery.
- Option B. Wire to Ignition Source:** Wiring the power wire harness to an ignition source will make the color changing halos turn on automatically when the vehicle is powered on. Note- you will not be able to control the halos independently of the vehicles power. To do this, simply wire the **red** wire on the power wire harness to an ignition wire source utilizing an add-a-fuse (not included). Ensure that the fuse is capable of handling the extra current load from the added accessories. Connect the **black** wire on the power wire harness to a nearby ground.

- Remove the trim ring screws:** The new Halo Rings simply install over the existing metal trim ring. Remove the 4 screws holding the headlight trim ring in place (see diagram to the right). Leave the trim ring over the headlight.
- Install the new LED Rings:** Now that the screws are removed, you can install the LED Rings over the metal trim rings. Position the LED Ring into place and re-install the 4 screws. Feed the wiring through to the rear of the headlight.

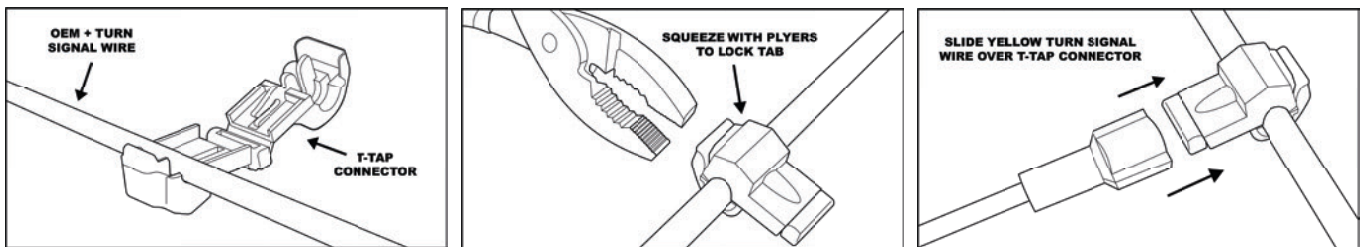


4. **Route power wiring harness:** Mount the ON/OFF switch in a convenient location. Route the two DC plugs toward each of the headlights. Using zip ties, secure any loose wiring.
5. **Install XKchrome Mini Controllers:** Plug the XKchrome Mini controllers into the DC plugs from the power wiring harness. Plug the other end of the Mini controllers into one of the LED Rings.
6. **Tap into the + turn signal wires:** Please check service manual specific to your make and model to verify positive turn signal wires. Using the supplied T-tap connectors, tap the Yellow wire from the Mini controller into the corresponding side's turn signal wire. Take the included T-tap connector and secure it on the positive turn signal wire following the diagram below. Put the wire in the groove of the T-tap connector, shut it, and use pliers to lock the tab into place. Take the spade terminal on the new yellow turn signal wire and slide it over the installed T-tap connector to lock it in place. If the Mini controller is plugged into the LEFT driving light, ensure that the yellow wire from that controller goes to the LEFT positive turn signal wire. Do this for both sides of the vehicle.

REQUIRED



Attach 3M tape to the back of both plugs



7. Power on, download the **XKchrome App**, and enjoy! **You must pair to BOTH controllers separately as they each have their own Bluetooth signal.**



Please note: There are multiple XKGLOW apps on the App Store. Only the XKchrome App will work with the XKchrome Bluetooth Controller. The App icon is pictured here.



Input Voltage	Controller Max Load	RGB Halo Wattage
12V DC	3 amps	6 watt

Additional Disclaimer Terms

Please check your local and state laws for the proper use of this product.

- Improper installation of electrical products such as lighting may cause damage to any vehicle or device to which the improperly handled or installed lighting is attached.
- Improperly installed product may cause electrical injury to persons.
- It is recommended that the kit should be installed by a licensed professional.
- XKGLOW assumes no liability for the installation of the product.
- Warranty or liability will not exceed the product purchase price, which shall be buyer's sole and exclusive remedy.