



VAREX

Smart Box

Installation Instructions

XFORCE RECOMMENDS AN AUTHORISED PROFESSIONAL TO INSTALL ALL PRODUCTS

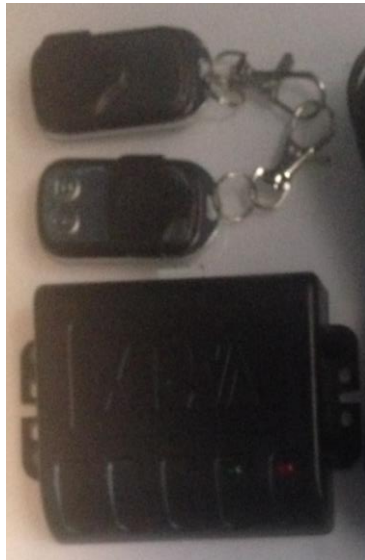
WARNING: When working on any vehicle exercise extreme caution. Please allow the vehicles exhaust system to be cool enough to touch before removal. Failing to do so may result in severe burns. If working without a hoist refer to the vehicles manual to check correct lifting specifications. Always wear safety glasses, protective gloves and ensure your working in a safe area. Serious injury or death can occur if the correct safety measures are not followed.

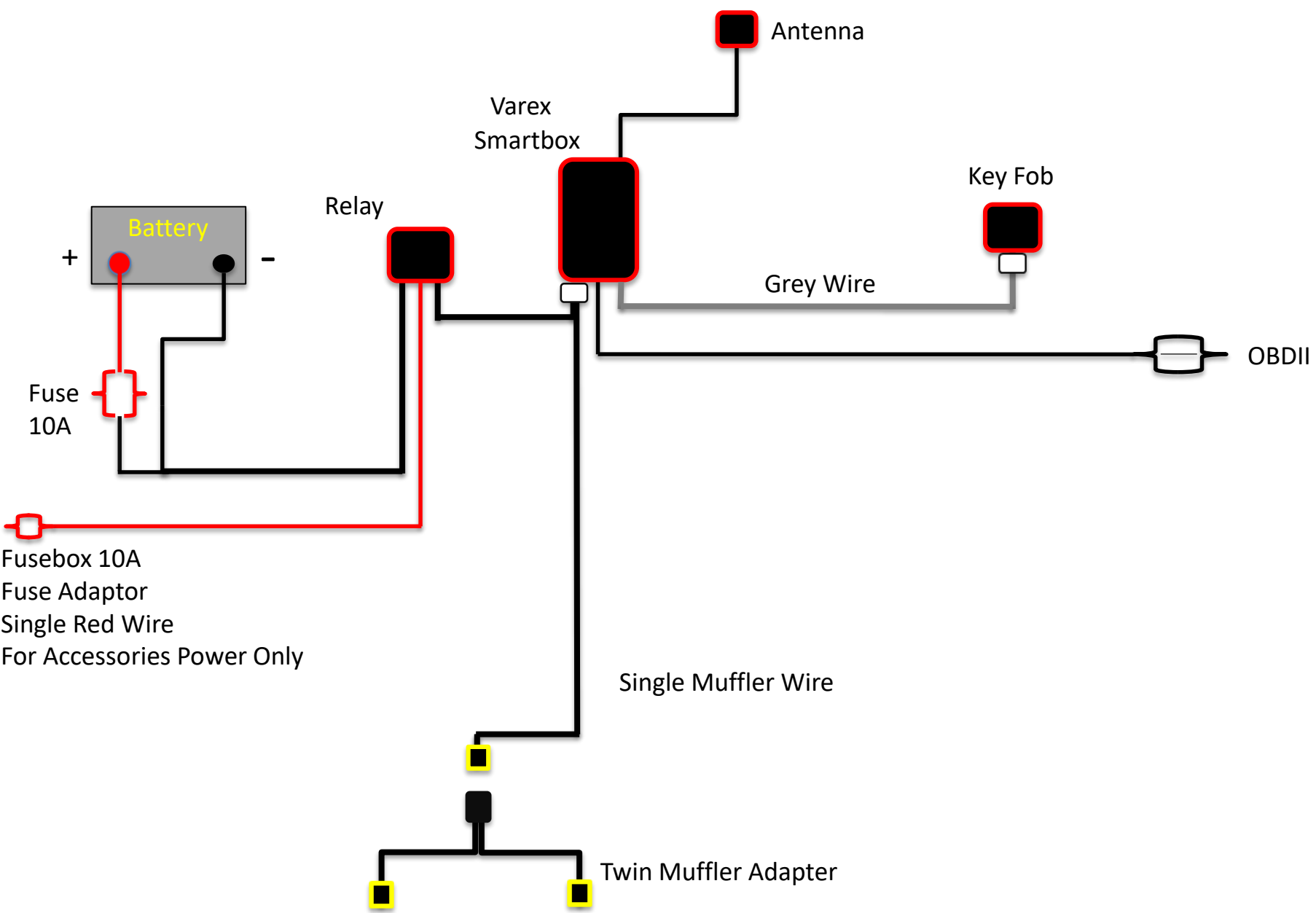
Attention: Please read the instructions carefully. XFORCE will only warrant manufacturing faults. This does not extend to damage or breakage due to incorrect fitment.



What's inside the box

- 1 Varex Smart Box
- 2 GPS Antenna
- 3 OBDII Cable
- 4 Main Wiring Harness
- 5 Twin Muffler Wiring Adapter (Optional)
- 6 Key Fobs and Control Box

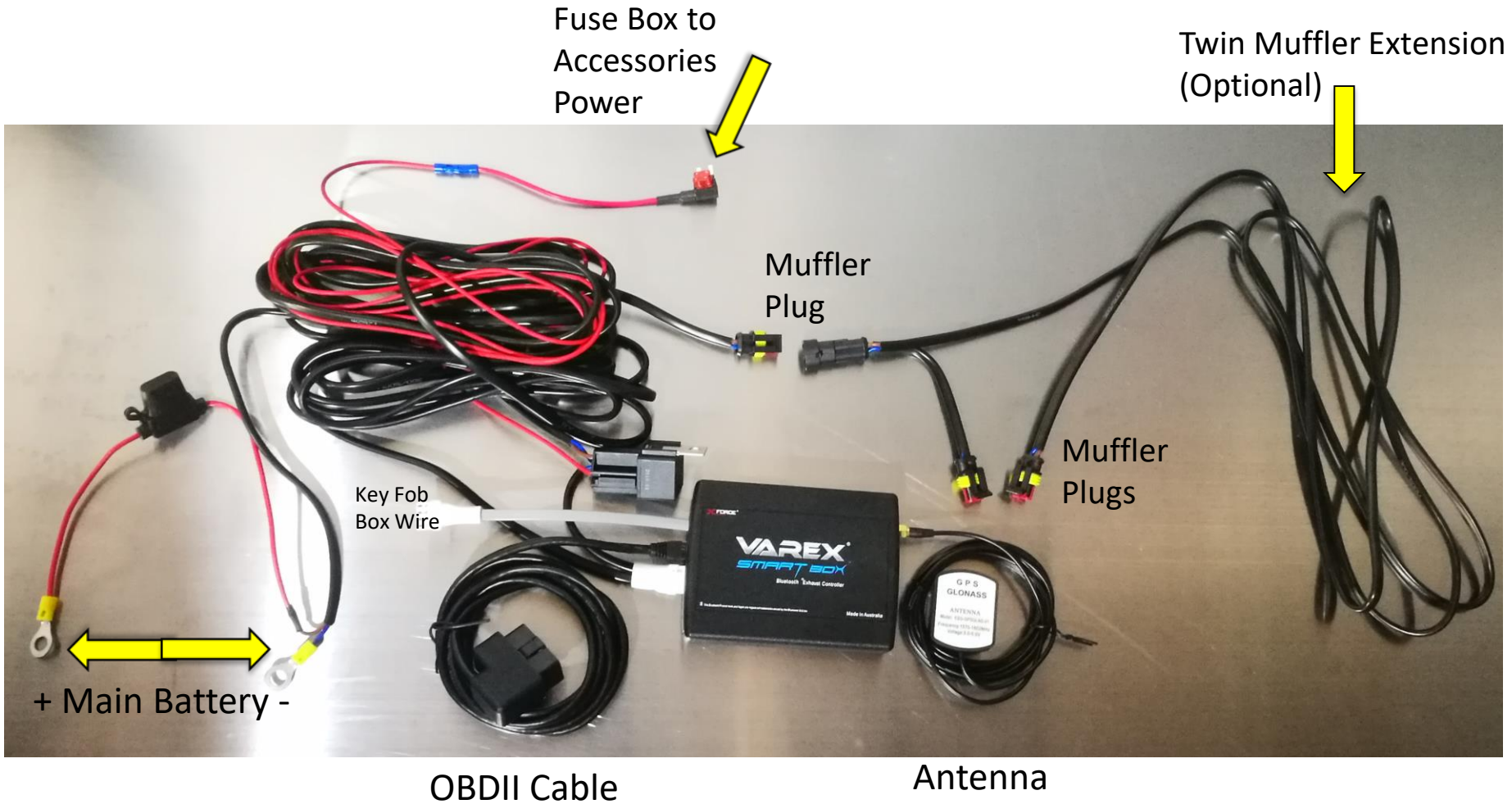




Fusebox 10A
Fuse Adaptor
Single Red Wire
For Accessories Power Only

Single Muffler Wire

Twin Muffler Adapter



Fuse Box to
Accessories
Power

Twin Muffler Extension
(Optional)

Muffler
Plug

Muffler
Plugs

Key Fob
Box Wire

+ Main Battery -

OBDII Cable

Antenna



Step 1

Find a rubber grommet to allow access from the boot area to the underside of the car near the Varex Mufflers. Once located feed the black 2 pin plug through the boot area to the underside of the car and connect to the muffler.





Step 2

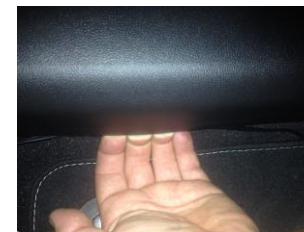
Feed the wiring through the boot towards the back seat, then run the wire into the cabin and under the back seat, towards the plastic cover between the carpet and the doors.

Put your fingers under the cover (pic 1) then push the wiring up under the cover (pic 2).

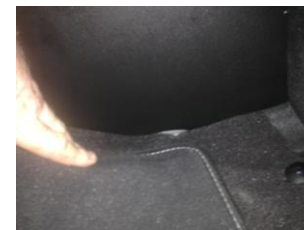
Do this all the way to the front of the cabin and feed the wire behind the kick panel Pic 3 (plastic cover near where your feet would be in the front of the car).



Pic 1



Pic 2



Pic 3



Step 3



Pic 4

Plug the Key Fob box into Smart Box using the grey wire and the smartbox into the white 4 pin plug and the OBDII (pic 4)

Remove the panel under the dash (pic 5) and place the wiring and box on the panel (pic 6), run the wire (with the Piggy back fuse adaptor) towards the fuse box panel.



Pic 5



Pic 6



Step 4

Feed the OBDII wire under the dash to the cars OBDII port and plug in. Pic 7

Plug in the Antenna Wire and twist the nut clockwise to tighten. Pic8.



Pic 7



Pic 8

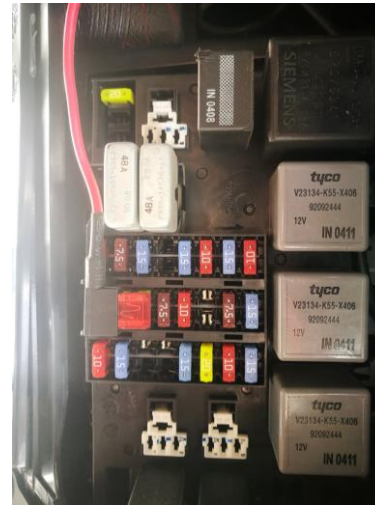


Step 5

Plug the 10A Fuse adapter into a 10A accessories power (only has power when the vehicle is running) fuse position in the vehicles fuse box. Pic 9

Going through rubber grommet in the fire wall attach the 2 eyelets to the battery making sure the 10A fuse holder is attached to the + (red) terminal and the other to the - (black) terminal. Pic 10

Start the car, check the Smartbox lights (Blue power, Orange OBDII and Yellow GPS) are working, download the Xforce Varex App through Itunes or Google Play and set up your personal settings in the App.



Pic 9



Pic 10

Learn more about performance exhaust systems we have.