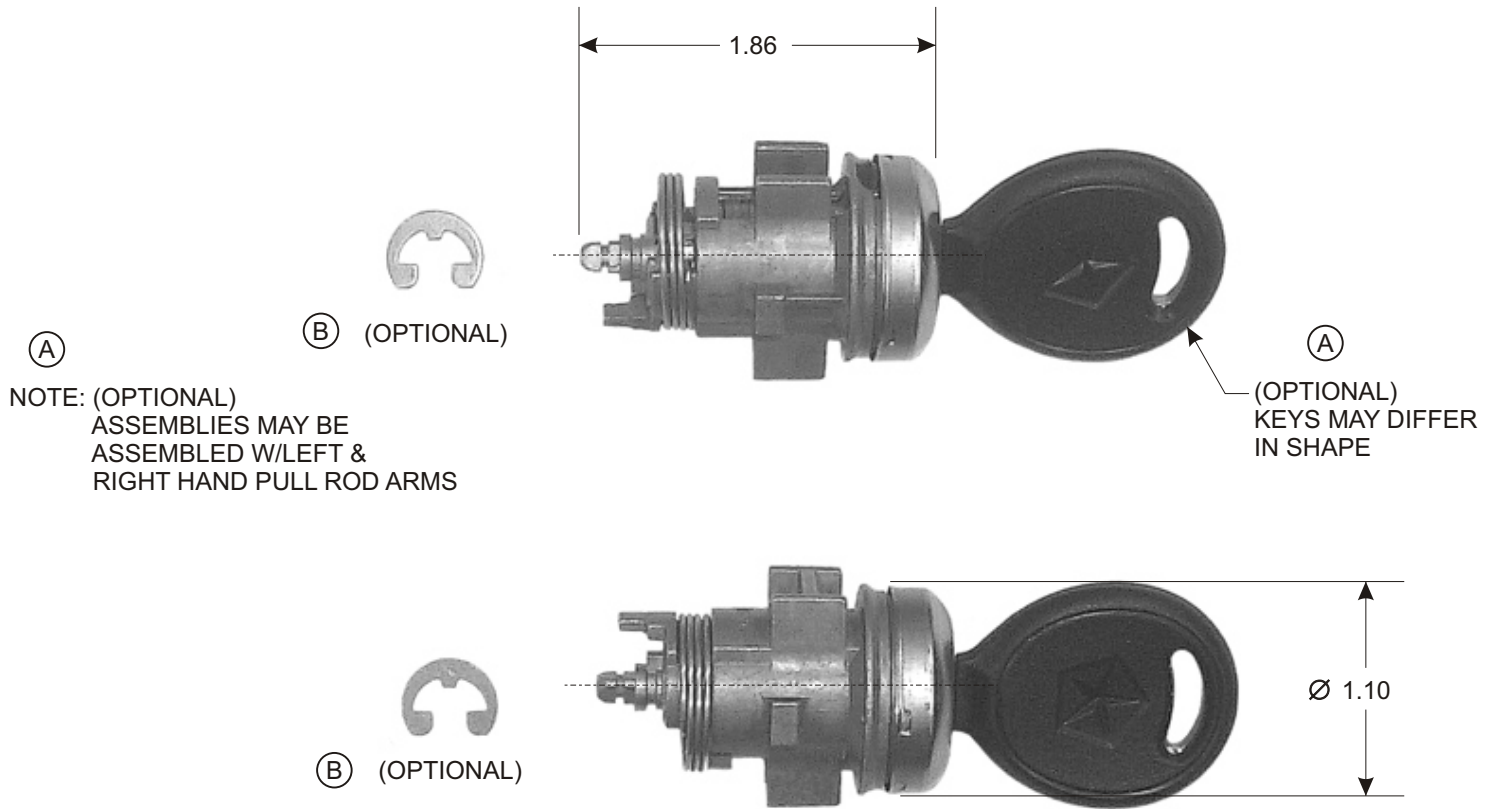


PART NO. DL47

TOLERANCES UNLESS SPECIFIED		
TWO PLACE DECIMALS +/- .015	THREE PLACE DECIMALS +/- .005	ANGLES +/- 1°



NOTE:
 SET INCLUDES (2) LOCKS, (2) KEYS & (2) RETAINING CLIPS.
 (B) (RETAINING CLIPS OPTIONAL)

REPLACES O.E.M. # 4723484, 4723485, 4778125

					MATERIAL	N/A	SCALE	NTS	TITLE DOOR LOCK SET		
B	ADDED (OPTIONAL) & (RETAINING CLIPS OPTIONAL)	31969	2-19-09	SAM	FINISH	N/A	DATE	5-8-03		DWN. BY	KLH
A	ADDED (OPTIONAL) NOTES	31352	5-12-08	SAM		PURCH.	<input type="checkbox"/>	PROD.		<input type="checkbox"/>	JSK
L	REVISION	CN	DATE	BY	CAD REF.	N/A	MODEL	N/A		PART NO.	DL47
	RELEASED DRAWING	25881A	5-8-03	KLH							