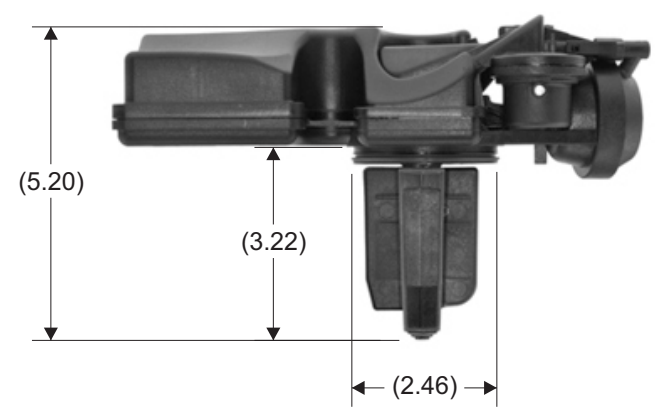
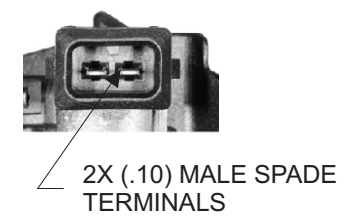
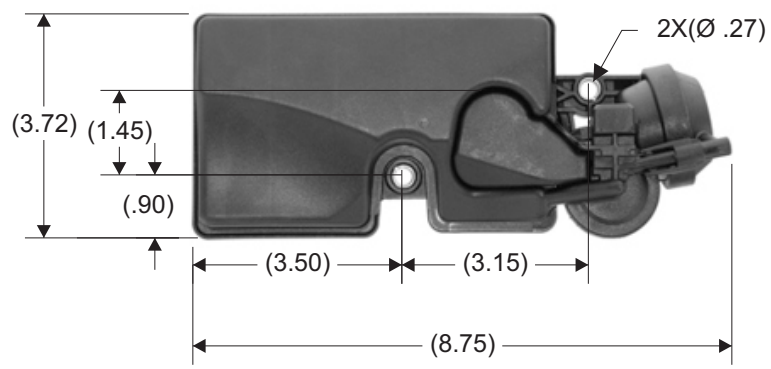



PART NO. MRC1004

TOLERANCES UNLESS SPECIFIED		
TWO PLACE DECIMALS +/- .015	THREE PLACE DECIMALS +/- .005	ANGLES +/- 1°



REPLACES OE: 11 61 7 544 806

					MATERIAL	SCALE	NTS	 WELLS VEHICLE ELECTRONICS		
					FINISH N/A	DATE	4/14/14		DWN. BY	DEK
						ENGINEER	4/14/14			GTO
						APPROVED	4/14/14			TDS
						PURCH.	<input type="checkbox"/>		PROD.	<input type="checkbox"/>
						CAD REF.	N/A	MODEL		
RELEASE DRAWING		37969	4/14/14	DEK				TITLE	INTAKE MANIFOLD RUNNER CONTROL VALVE	
L	REVISION	CN	DATE	BY				PART NO.	MRC1004	

Looking for dependable replacement air intake parts? Rely on WVE for quality and long-lasting products.