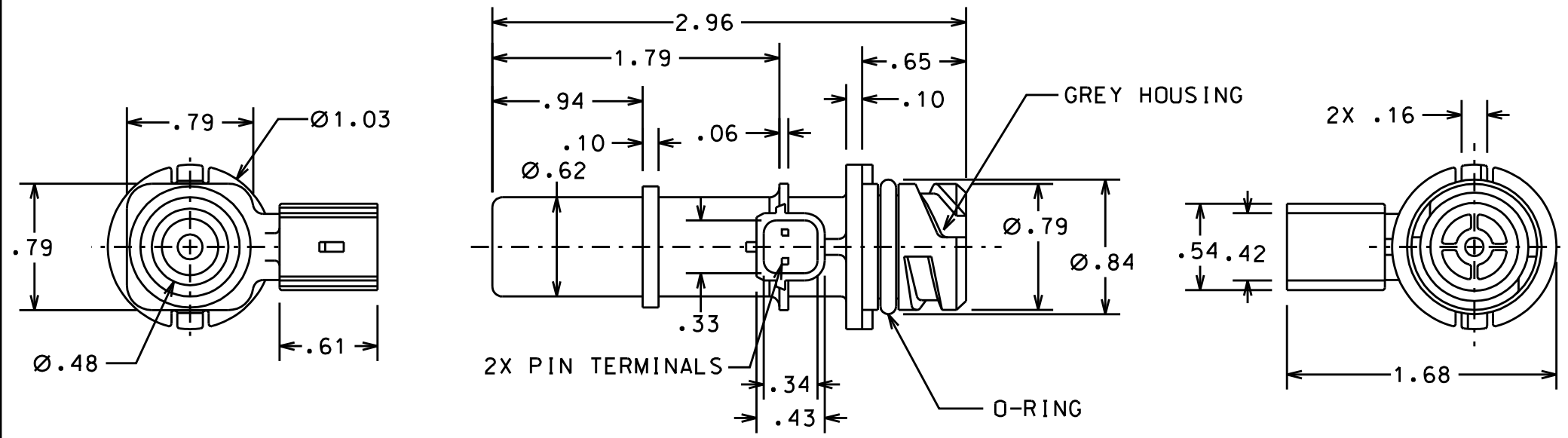


PART NO. PCV426

TOLERANCES UNLESS SPECIFIED
 TWO PLACE DECIMALS +/- .015 THREE PLACE DECIMALS +/- .005 ANGLES +/- 1°



REPLACES O.E.# EV-273, 5L3Z-6A666-BA

					MATERIAL	N/A	SCALE	FULL			
					FINISH	N/A	DATE	4-17-07		DWN. BY SAM ENGINEER 4-17-07 JB APPROVED 4-17-07 JSK	
							PURCH.	<input type="checkbox"/>		PROD.	<input type="checkbox"/>
							MODEL	N/A		TITLE	PCV VALVE
RELEASED		30461A	4-17-07	SAM	CAD REF.	N/A			PART NO.	PCV426	
L	REVISION	CN	DATE	BY							

Looking for dependable replacement emission control parts? Rely on WVE for quality and long-lasting products.