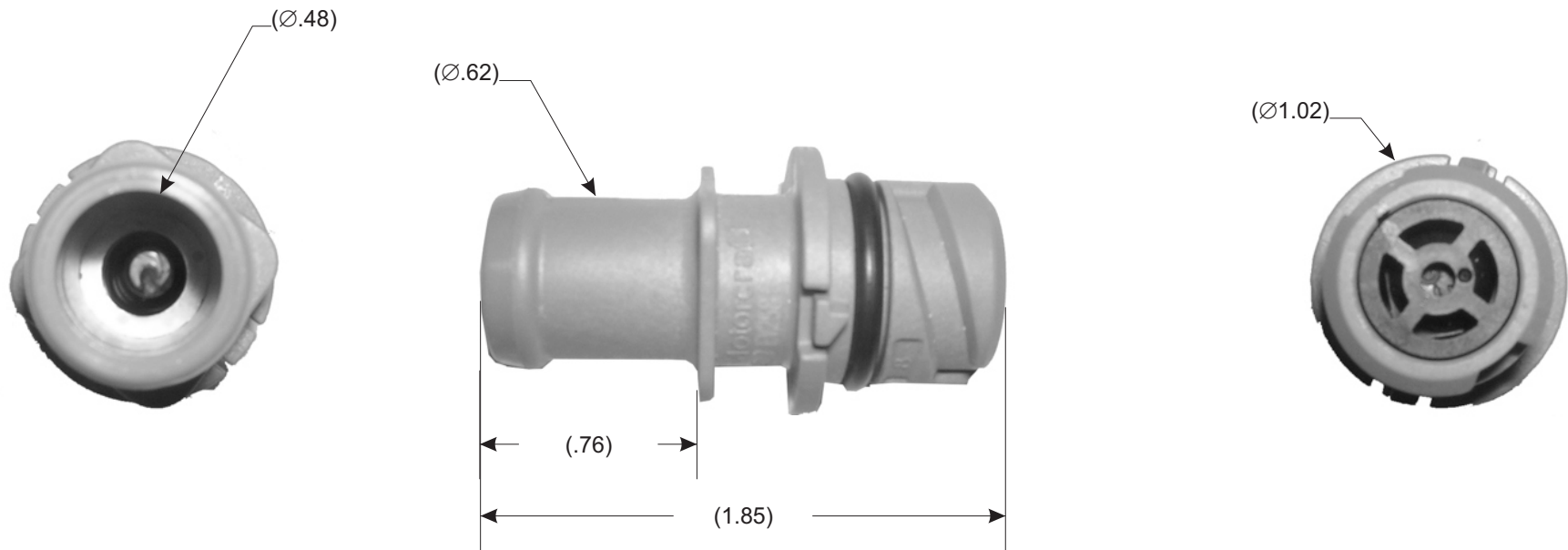


PART NO. **PCV385**

TOLERANCES UNLESS SPECIFIED		
TWO PLACE DECIMALS +/- .015	THREE PLACE DECIMALS +/- .005	ANGLES +/- 1°



REPLACE O.E. # 23378-0W010 , 2L3Z-6A666-AA , EV-258

				MATERIAL	N/A	SCALE	NTS	<b>WELLS</b>		
						DATE	09-23-09		DWN. BY	JRJ
				FINISH	N/A	ENGINEER	09-23-09			KRP
						APPROVED	09-23-09			TDS
B	REDRAWN W/NEW PICTURE, ADDED OE NUMBERS	36100	1/19/13	DEK		PURCH.	<input type="checkbox"/>	PROD.	<input type="checkbox"/>	
L	REVISION	CN	DATE	BY	CAD REF.	MODEL	PCV385	PART NO. <b>PCV385</b>		

Looking for dependable replacement emission control parts? Rely on WVE for quality and long-lasting products.