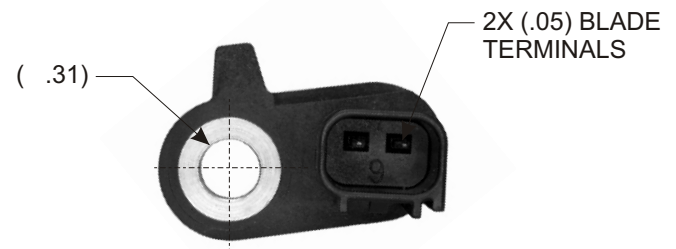
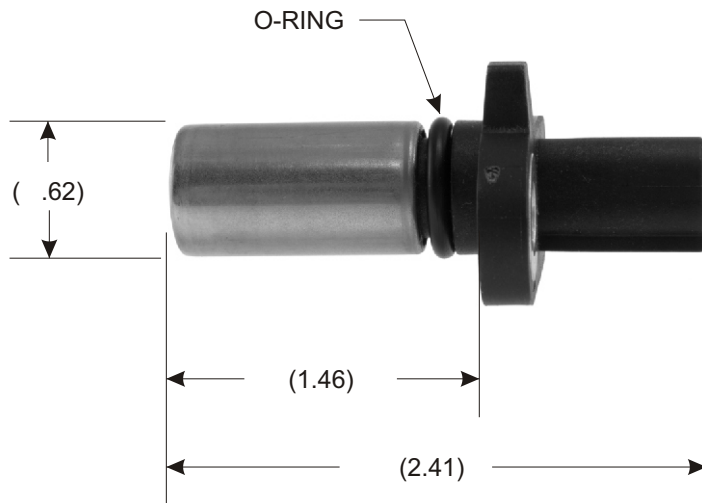


PART NO. SU10418

TOLERANCES UNLESS SPECIFIED		
TWO PLACE DECIMALS +/- .015	THREE PLACE DECIMALS +/- .005	ANGLES +/- 1°



REPLACES O.E.M. # 7L3Z-6B288-A, DU-77

				MATERIAL	N/A	SCALE	NTS	WELLS	
						DATE	12-4-08		DWN. BY
				FINISH	N/A	ENGINEER	12-4-08	DAL	TITLE
						APPROVED	12-4-08	TDS	CAMSHAFT SENSOR
	RELEASED DRAWING	31402A	12-4-08	SAM		PURCH.	<input type="checkbox"/>	PROD.	<input type="checkbox"/>
L	REVISION	CN	DATE	BY	CAD REF.	MODEL	N/A	PART NO.	SU10418