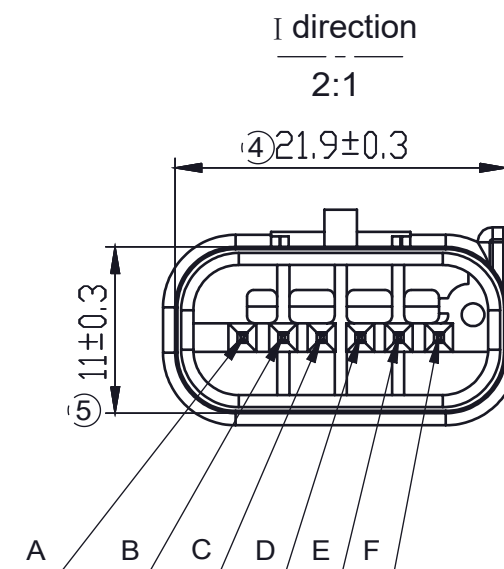
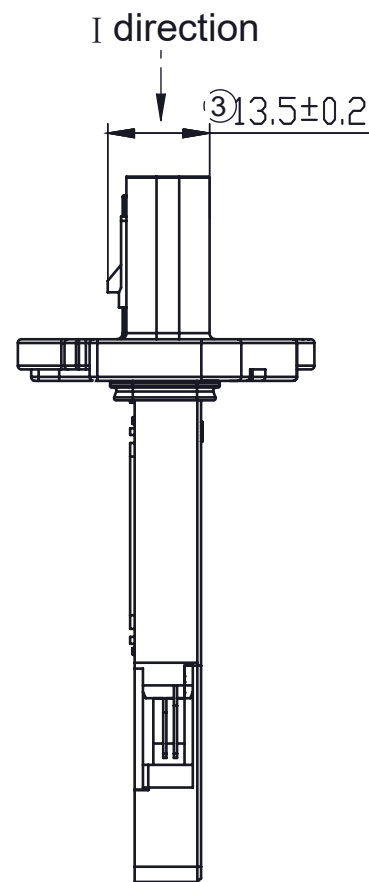
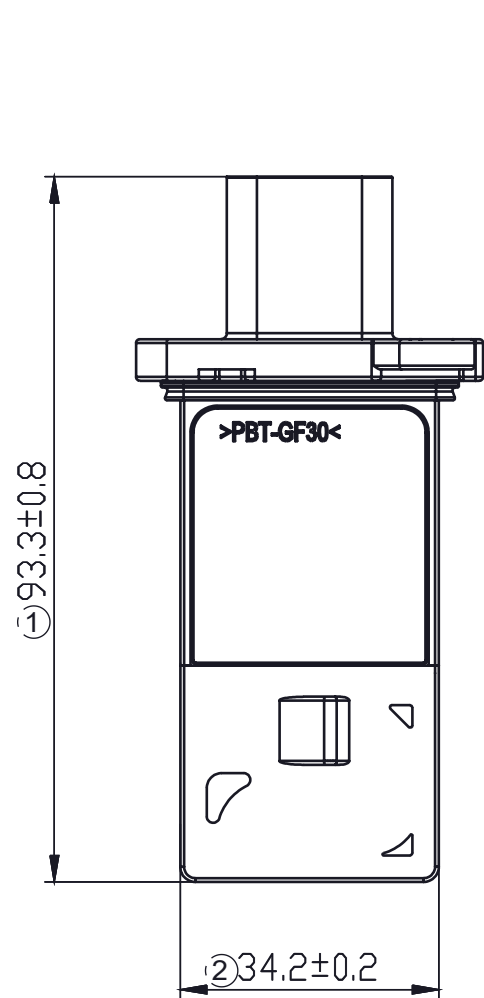
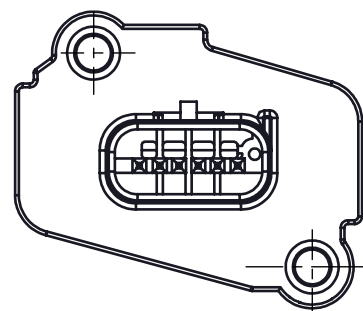


REVISION				
REV.	DESCRIPTION	ECN	DATE	BY
-	RELEASED	45148	11/21/2019	RNK



MODE OF CONNECTION

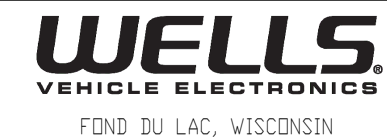
PIN	FUNCTION
A	RT
B	RT
C	OUT
D	GND
E	GND
F	+14V



Technical Requirements:

- 1.The output voltage is 0~5v,precision is ±3%.
- 2.Response time≤20ms.
- 3.The rated flow of measurement ranges from 0 to 700kg/h.
- 4.Nominal voltage is 14v,adaptable voltage is 9V~16V.
- 5.The operating temperatue range is -40℃~120℃.

KEY CHARACTERISTIC		◇KPC/KCC 0 TOTAL 0 LAST NO. USED		○SC 0 TOTAL 0 LAST NO. USED	
DATE	2019/10/15	SCALE	1:1	DRAWN BY	Zhangjunbo
MATERIAL	N/A			ENGINEER	Wuxiangjun
FINISH	N/A			TITLE	SENSOR MAF
UNLESS OTHERWISE SPECIFIED DIM ARE IN MILLIMETERS ANGLE ±1° .X±0.3 .XX±0.13 GD&T ASME Y14.5-2009		THIRD ANGLE		TYPE	SIZE B
				SHEET	1 OF 1
				PART NO.	5S7285
				REV	-



Looking for dependable replacement air intake parts? Rely on WVE for quality and long-lasting products.